

Raychem**SPECIFICATION
CONTROL DRAWING**

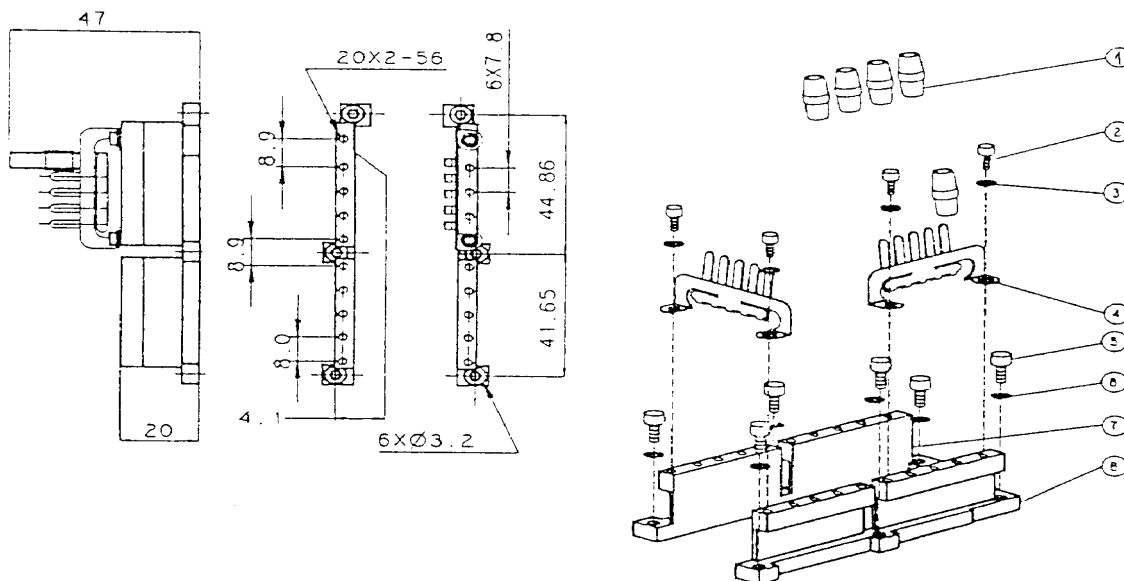
Product Name

ECA-0183

Date 6/8/99 M.Higgy

Revision D

BUSBAR KIT SIZE 2

DESCRIPTION:

- THIS ADAPTOR IS DESIGNED TO BE MOUNTED ON ARINC 600 CONNECTORS, SIZE 2 FROM ITT CANNON AND RADIAL.
 - IT MEETS THE RAYCHEM SPECIFICATION RB-110. QUALIFICATION IS PENDING.
 - BUSBAR HARDWARE: REFER TO SCD ECA-0190
- INSTALLATION:
- SEE RAYCHEM INSTALLATION PROCEDURES RPIP-696-05 AND RPIP-696-06

PLATING:

- ALUMINIUM ALLOY PARTS: ALODINE TO RAYCHEM SPEC. 4018
- STAINLESS STEEL PARTS: PASSIVATED.
- BERYLLIUM COPPER: TIN PLATED WITH Sn63Pb37

PACKAGING:

- ONE BAG CONTAINING ITEM 1
- ONE BAG CONTAINING ITEMS 2, 3, AND 4
- ONE BAG CONTAINING ITEMS 5, 6, 7, AND 8

ALL THREE BAGS PACKAGED IN A BOX WITH AN INSTALLATION PROCEDURE.

WEIGHT:

59 Grams Maximum.

8	1	RIGHT SPACER, SIZE 2	ALUMINUM ALLOY
7	1	LEFT SPACER, SIZE 2	ALUMINUM ALLOY
8	6	LOCK WASHER M3	STAINLESS STEEL
5	6	ALLEN HEAD SCREW 4-40 X 3/8	STAINLESS STEEL
4	6	BUSBAR	BERYLLIUM COPPER
3	12	LOCK WASHER M2,5	STAINLESS STEEL
2	12	ALLEN HEAD SCREW 2-56 X 3/8	STAINLESS STEEL
1	30	SOLDER SLEEVE CTA-0024	
ITEM	QTY	DESCRIPTION	MATERIAL

Dimensions are in millimeters

DRAWN

R TREADWELL

APPROVED

C HUBERT

REPLACES

Engineering

R. Treadwell

Product Manager

REV: D

APPROVED

C ROLLAND

APPROVED

B DAUVILLIERS

THIS DOCUMENT IS PRINTED IT BECOMES UNCONTROLLED.
Check with the web for latest revision.

Development

[Signature]

Quality Assurance

[Signature]