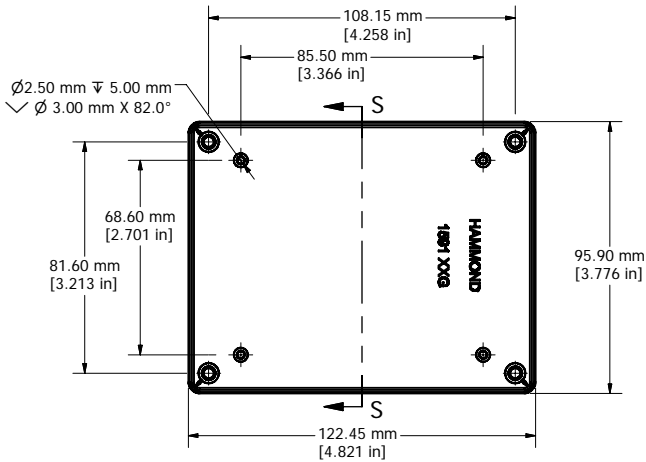
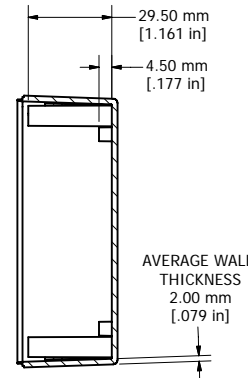


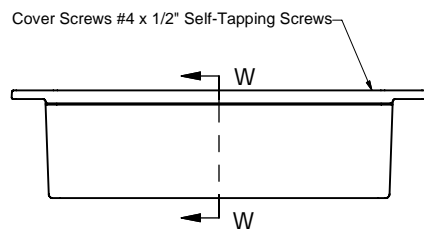
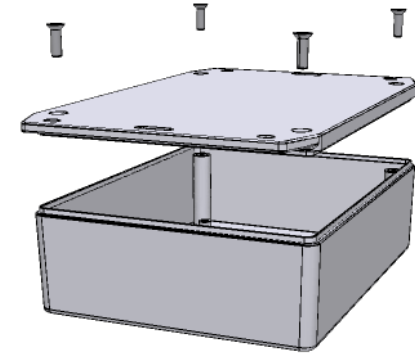
SIDE VIEW OF BOX



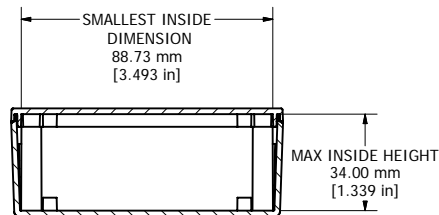
TOP VIEW OF BOX



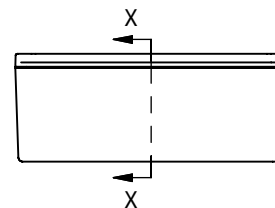
SECTION S-S



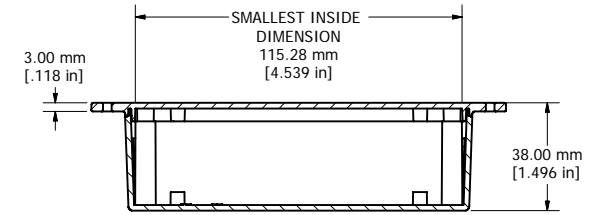
SIDE VIEW OF ENCLOSURE



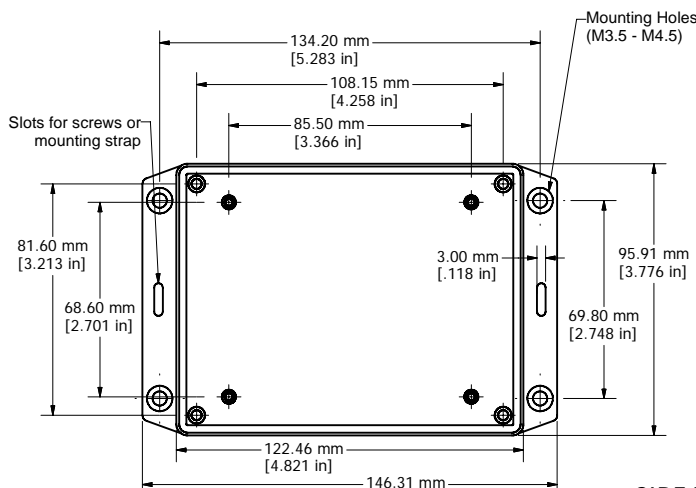
SECTION W-W



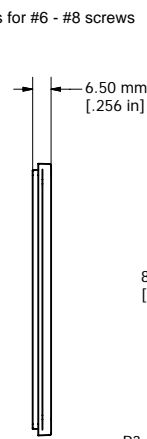
END VIEW OF ENCLOSURE



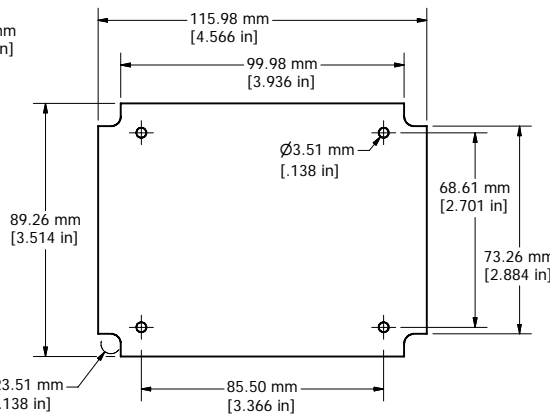
SECTION X-X



BOTTOM VIEW OF LID



SIDE VIEW OF LID



MAX PC BOARD SIZE (NOT INCLUDED)

Enclosures can be Factory Modified ( Milling, Drilling, Printing etc. )  
Solid models of this enclosure available in STEP or IGES.  
Contact Factory [mjm@hammondmfg.com](mailto:mjm@hammondmfg.com)

NOTE	
Enclosure molded from GRABS UL 94-HB Plastic.	
No Brass Inserts Included	
Other materials / colours available consult factory.	
1591XXGSFL	
1591XXGSFL Box Enclosure	
Black Enclosure - RAL 7011	1591XXGSFLBK
Gray Enclosure - RAL 7035	1591XXGSFLGY
ACCESSORIES	
Lid Screws self-tapping Black	1591TS100BK (Pkg 100)
Lid Screws self-tapping Standard	1591TS100 (Pkg 100)
P.C. Board Screws (All Boxes)	
P.C. Board Screws	1593ATS50 (Pkg 50)
#4 x 1/4" self-tapping (6.4mm)	1593ATS100 (Pkg 100)

