

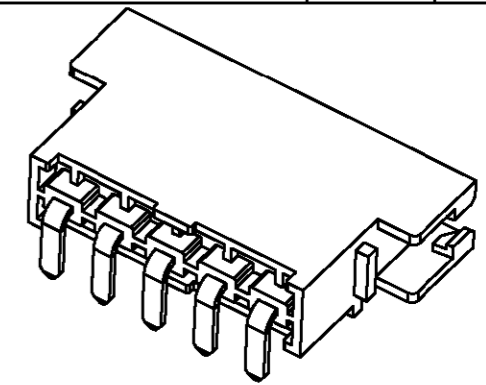
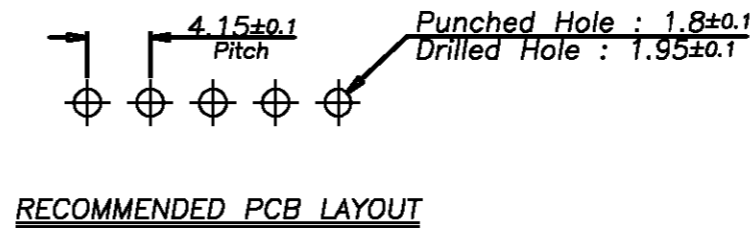
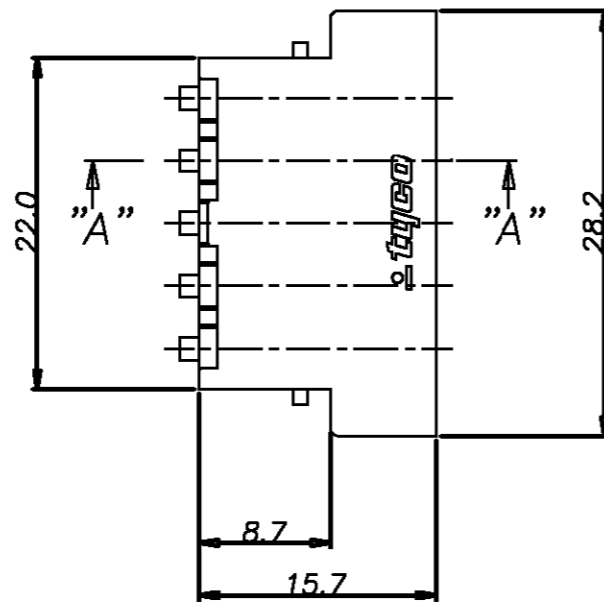
THIS DRAWING IS UNPUBLISHED. RELEASED FOR PUBLICATION

© COPYRIGHT BY TYCO ELECTRONICS CORPORATION. ALL RIGHTS RESERVED.

LOC DS DIST

REVISIONS

P	LTR	DESCRIPTION	DATE	DWN	APVD
A		RELEASED	27.JUN.'05	BH	CS
B		REVISED(ECR-05-016394)	02DEC.'05	BH	JK

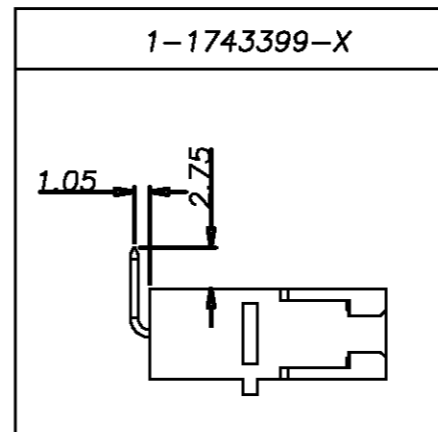
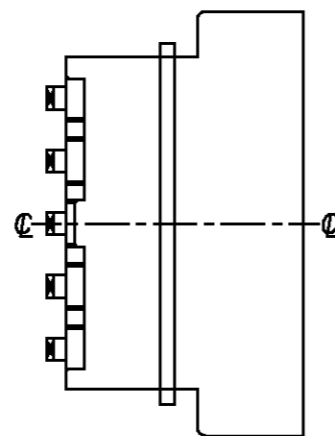
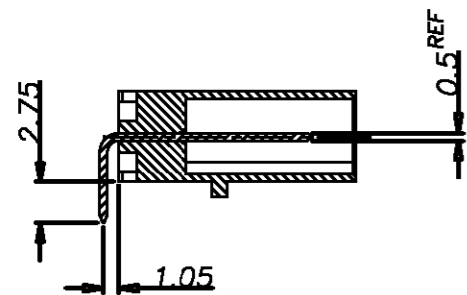
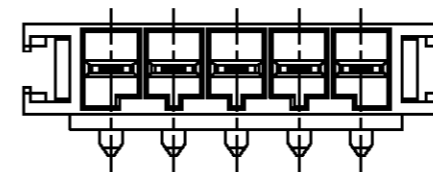
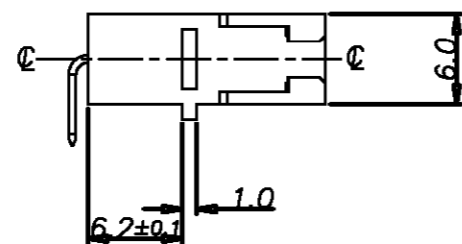
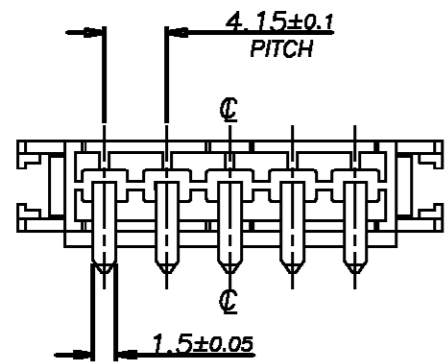


주 기

- 내열 내한성 시험: 80° C 1시간, -30° C 1 시간
상온 1시간을 1 CYCLE 로 하여 연속적으로 20 CYCLE 온도를 변화 시켰을때 흠(CRACK)등이 발생하지 않을것.
- 상대물(tyco AMP: 1743401)과 삽입시 이상이 없고 lock된 상태로 5Kgf 의 힘을 축방향으로 1 분간 당겨 견딜것.
- MATERIAL
TERMINAL : BRASS (POST PLATED)
HEADER HOUSING : 6/6 NYLON AMILAN V-0
- 일반 공차 : ±0.3

NOTES

- AFTER 20 CYCLES(1CYCLES : 1 HOURS AT 030 1 HOURS AT -30AT ROOM TEMPERATURE) THERE SHOULD NOT BE CRACK.
- SEPERATION FORCE : 5Kgf MIN.
MATING HOUSING : 1743401-X
- MATERIAL
TERMINAL : BRASS(POST PLATED)
HEADER HOUSING : 6/6 NYLON
- GENERAL TOLERANCES : ±0.3



BLUE	1-1743399-8
YELLOW	1-1743399-1
NATURAL	1743399-1
COLOR	ASS'Y P/N

<small>THIS DRAWING IS A CONTROLLED DOCUMENT FOR TYCO ELECTRONICS CORPORATION. IT IS SUBJECT TO CHANGE AND THE CONTROLLING ENGINEERING ORGANIZATION SHOULD BE CONTACTED FOR THE LATEST REVISION.</small>		DWN : BH CHO CHK : BW KANG APVD : JK SONG		AMP KOREA, kyungsan, korea	
DIMENSIONS: MM 3rd ANGLE PROJECTION		TOLERANCES UNLESS OTHERWISE SPECIFIED: 0 PLC ± 1 PLC ± 2 PLC ± 3 PLC ± 4 PLC ± ANGLES ± FINISH -		NAME HALL SENSOR 5P HEADER ASS'Y	
MATERIAL		PRODUCT SPEC		SIZE A3	
		APPLICATION SPEC		CAGE CODE 00779	
		WEIGHT		DRAWING NO 1743399	
		CUSTOMER DRAWING		RESTRICTED TO	
		SCALE		SHEET 1 OF 1	
				REV B	