

REFERENCE SPECIFICATIONS

-NFC 93425 (in compliance with HE 507)

PHYSICAL CHARACTERISTICS

- INSULATOR MATERIAL: THERMOPLASTIC UL94V0
- CONTACT MATERIAL: BRASS(SIGNAL CONTACT)
GOLD OVER NICKEL
- ACCESSORIES: STAINLESS STEEL or BRASS,
cadmium plated yellow passivation
- SHELLS: STEEL,
cadmium plated yellow passivation

ELECTRICAL CHARACTERISTICS

- NOMINAL CURRENT: 7.5A (SIGNAL CONTACT)
- CONTACT RESISTANCE: <=7.3 m Ohms SIGNAL
- CONTACT/CONTACT : >=1000 V
- CONTACT/GROUND : >=1200 V
- INSULATION RESISTANCE: >=5000 MOhms
- CLIMATIC CATEGORY: 55/125/21
TEMPERATURE RANGE -55°C TO +125°C
DAMP HEAT STEADY STATE 56 DAYS
SALT SPRAY 48 HOURS

DBML13W3P400N

Series ←

Shell size: **E A B C D** ←
see sheet 3

M :characteristic
for the DM series

Front accessory definition
see sheet 2

Blank :without accessory

L :threaded insert M3

O :threaded insert UNC 4-40

V :female screw UNC 4-40

F :floating mounting

S :spacer

Layout of contacts (see sheet 3) ←

Contacts ←

P :Pin

Termination type ←

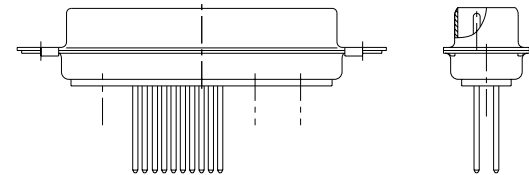
4 3 level wire wrap

Plating ←

00 straight solder 500 matings/unmatings

43 straight solder 500 matings/unmatings for harsh environment

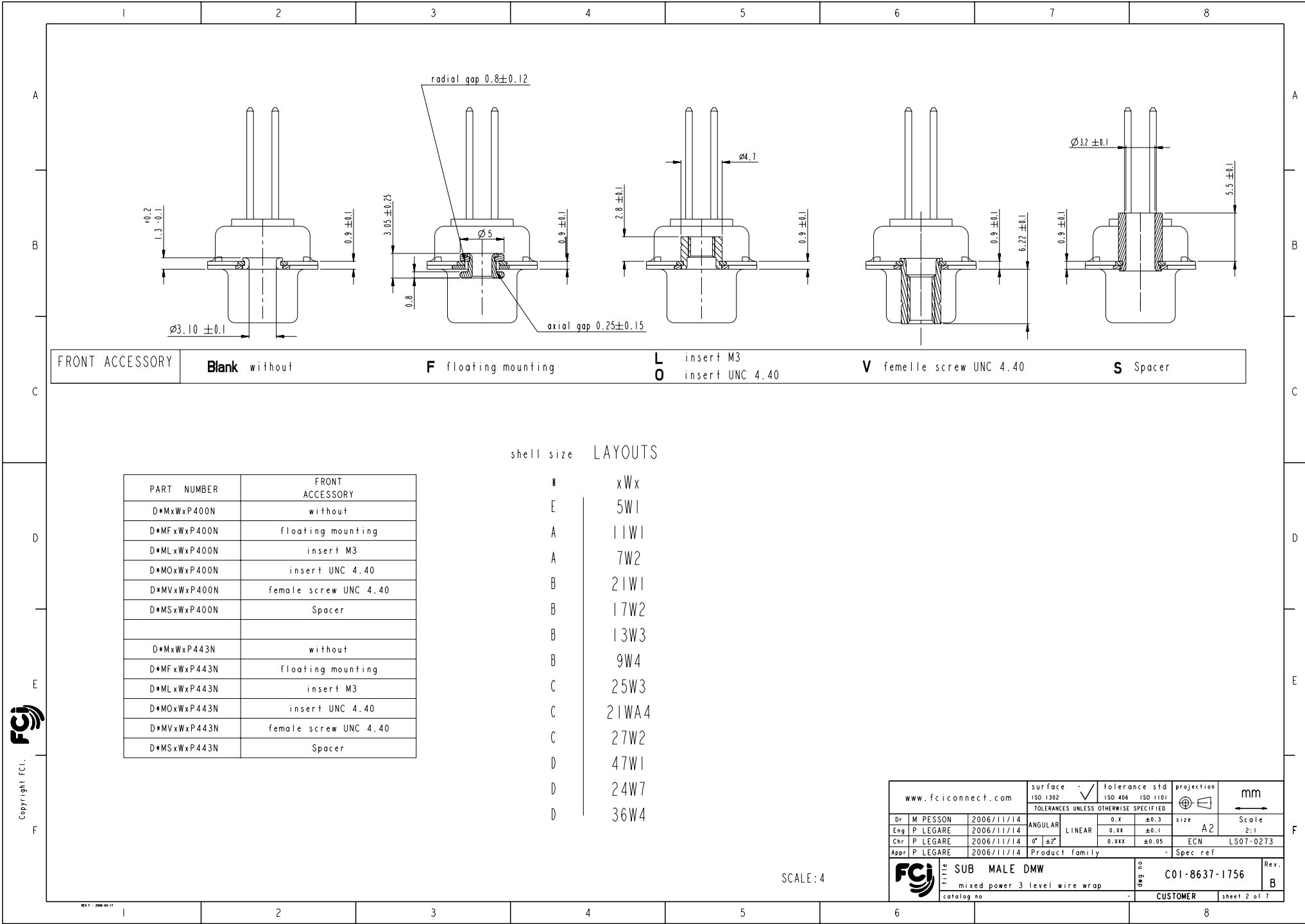
N :obligatory indication for HE 507 series ←



13W3 FOR EXAMPLE

www.fciconnect.com				surface	ISO 1302	tolerance std	ISO 406	ISO 1101	projection	mm
				ANGULAR	LINEAR	TOLERANCES UNLESS OTHERWISE SPECIFIED		size	A2	Scale
				0° ±2'		0.xx	±0.3			2:1
						0.xxx	±0.1	ECN	LS07-0273	
							±0.05	Spec ref		
rev	ecn no	dr	date	Dr	M PESSON	2006/11/14				
A	LS06-0174	MPE	2006/11/14	Eng	P LEGARE	2006/11/14				
B	LS07-0273	MPE	2007/10/30	Chr	P LEGARE	2006/11/14				
				Appr	P LEGARE	2006/11/14				
				Product family						
				FCI	SUB	MALE	DMW	cat no	C01-8637-1756	Rev.
				mixed power 3 level wire wrap						B
				catalog no				CUSTOMER	sheet 1 of 7	

Copyright FCI, FCI



FRONT ACCESSORY **Blank** without **F** floating mounting **L** insert M3 **O** insert UNC 4.40 **V** femelle screw UNC 4.40 **S** Spacer

shell size LAYOUTS

PART NUMBER	FRONT ACCESSORY
D*MxWxP400N	without
D*MFxWxP400N	floating mounting
D*MLxWxP400N	insert M3
D*MOxWxP400N	insert UNC 4.40
D*MVxWxP400N	female screw UNC 4.40
D*MSxWxP400N	Spacer
D*MxWxP443N	without
D*MFxWxP443N	floating mounting
D*MLxWxP443N	insert M3
D*MOxWxP443N	insert UNC 4.40
D*MVxWxP443N	female screw UNC 4.40
D*MSxWxP443N	Spacer

#	xWx
E	5W1
A	11W1
A	7W2
B	21W1
B	17W2
B	13W3
B	9W4
C	25W3
C	21WA4
C	27W2
D	47W1
D	24W7
D	36W4

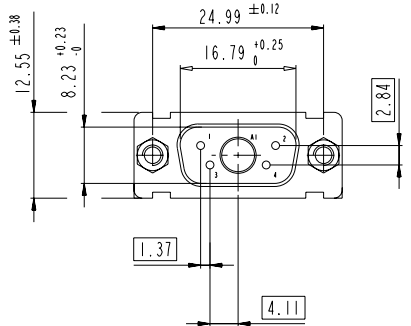
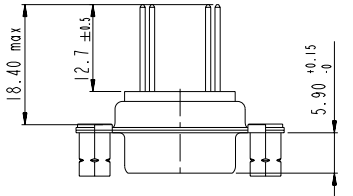
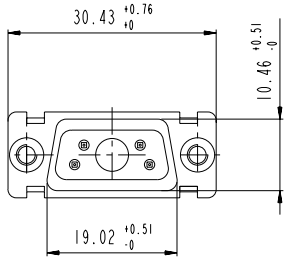
SCALE: 4

www.fciconnect.com		surface ISO 1302	tolerance std ISO 406 ISO 1101 TOLERANCES UNLESS OTHERWISE SPECIFIED	projection size A2	mm Scale 2:1
Dr M PESSON	2006/11/14	ANGULAR	0.X ±0.3	size A2	Scale 2:1
Eng P LEGARE	2006/11/14	LINEAR	0.xx ±0.1	ECN	LS07-0273
Chr P LEGARE	2006/11/14	0° ±2°	0.xxx ±0.05	Spec ref	
Appr P LEGARE	2006/11/14	Product family			

FCI mixed power 3 level wire wrap catalog no	SUB MALE DMW	Rev. B
	ang no C01-8637-1756	Rev. B
CUSTOMER		sheet 2 of 7

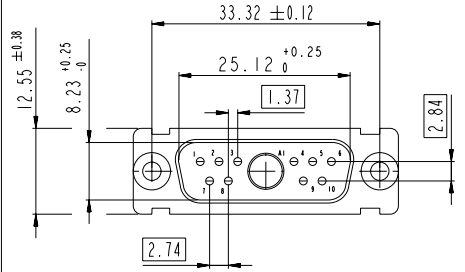
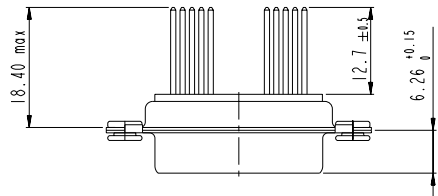
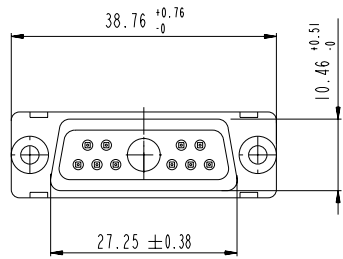
Copyright FCI.

5W1

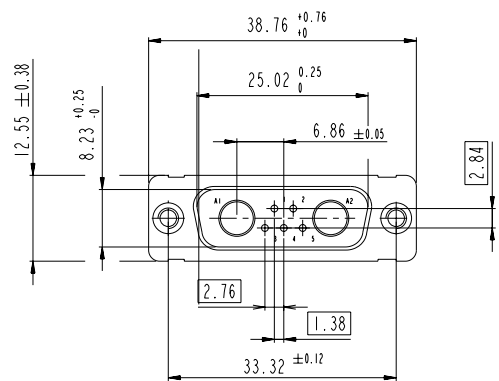
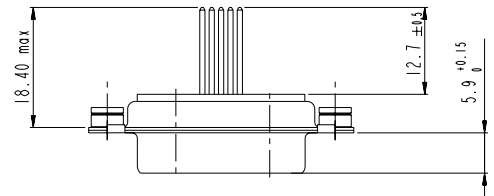
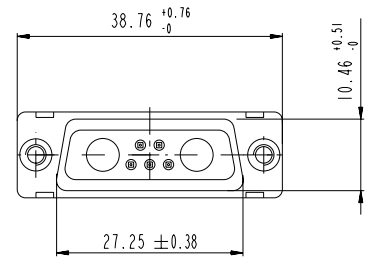


Floating signal contacts

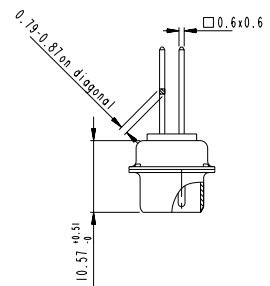
11W1



7W2

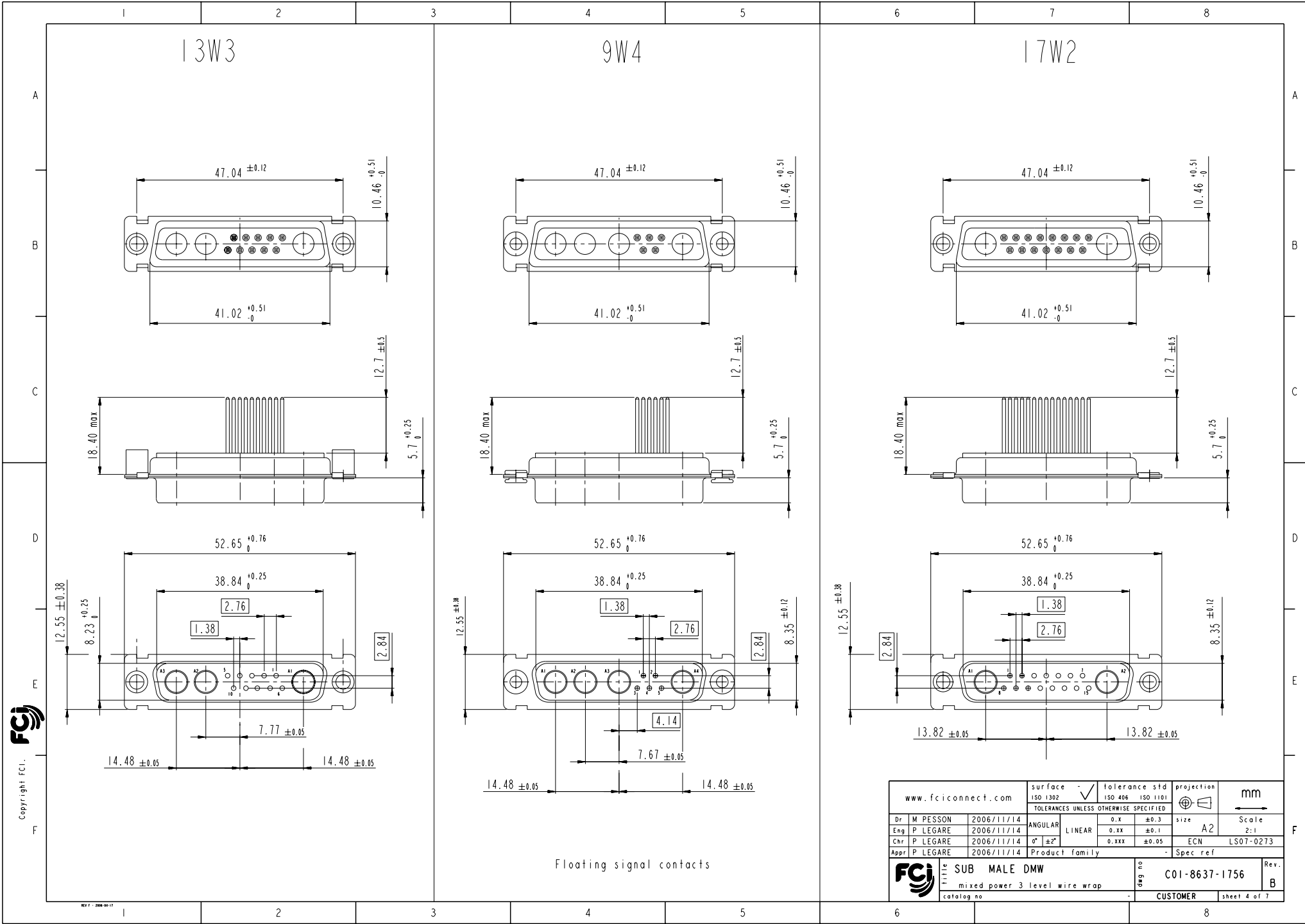


SIDE VIEW FOR LAYOUTS: E A B C



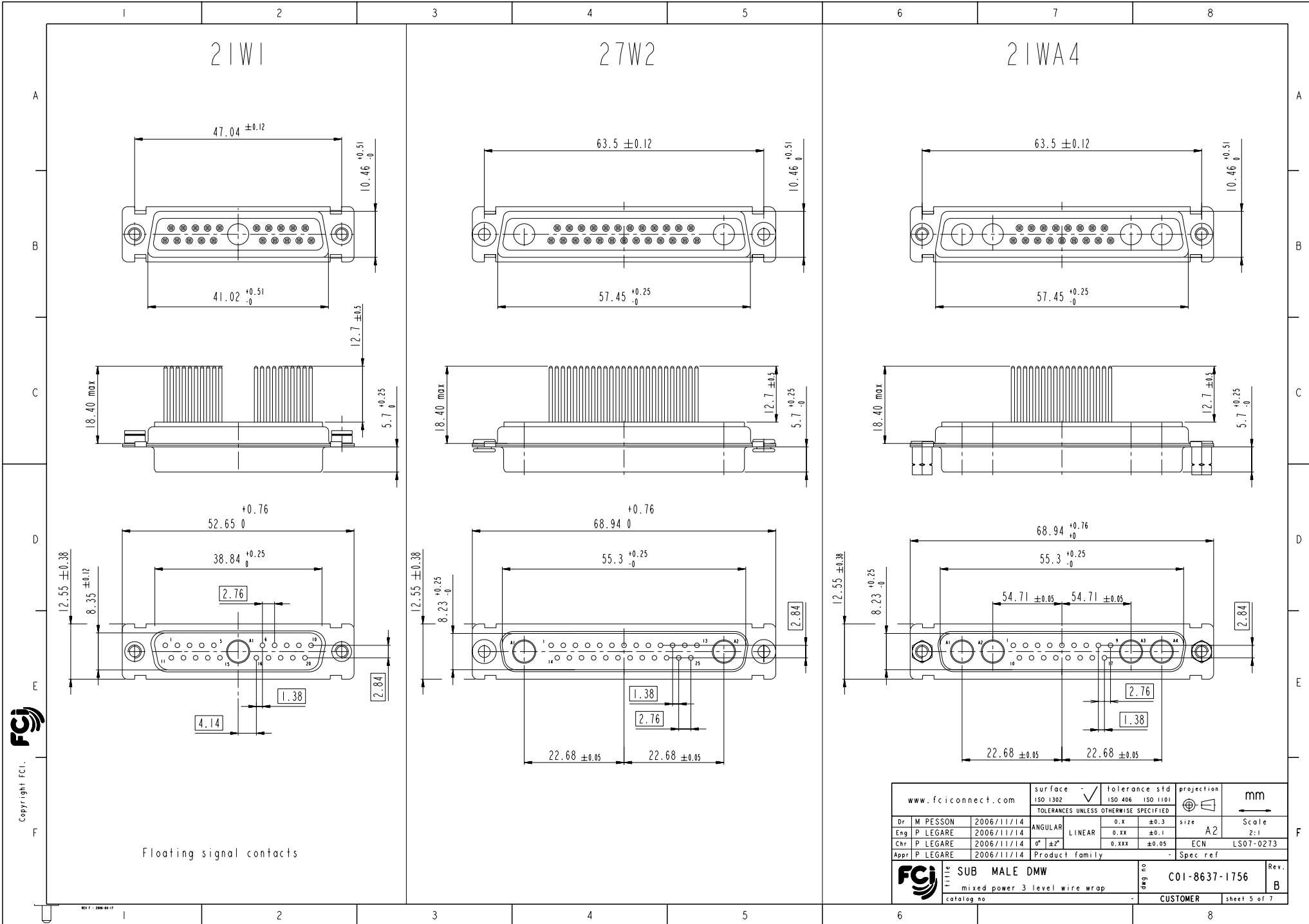
Copyright FCJ

www.fciconnect.com		surface ISO 1302	tolerance std ISO 406 ISO 1101	projection	mm
		TOLERANCES UNLESS OTHERWISE SPECIFIED			
Dr M PESSON	2006/11/14	ANGULAR	0.X ±0.3	size A2	Scale 2:1
Eng P LEGARE	2006/11/14	LINEAR	0.XX ±0.1	ECN	LS07-0273
Chr P LEGARE	2006/11/14	0° ±2°	0.XXX ±0.05	Spec ref	
Appr P LEGARE	2006/11/14	Product family			
	TITLE SUB MALE DMW	cat no	C01-8637-1756	Rev. B	
	mixed power 3 level wire wrap				
	CUSTOMER	sheet 3 of 7			



Copyright FCI.
FCI

www.fciconnect.com		surface ISO 1302	tolerance std ISO 406 ISO 1101	projection mm
		TOLERANCES UNLESS OTHERWISE SPECIFIED		
Dr M PESSON	2006/11/14	ANGULAR	0.X ±0.3	size A2 Scale 2:1
Eng P LEGARE	2006/11/14	LINEAR	0.XX ±0.1	ECN LS07-0273
Chr P LEGARE	2006/11/14	0° ±2°	0.XXX ±0.05	Product family - Spec ref
Appr P LEGARE	2006/11/14	Product family		
FCI Title SUB MALE DMW mixed power 3 level wire wrap catalog no		Part no C01-8637-1756	Rev. B	CUSTOMER sheet 4 of 7

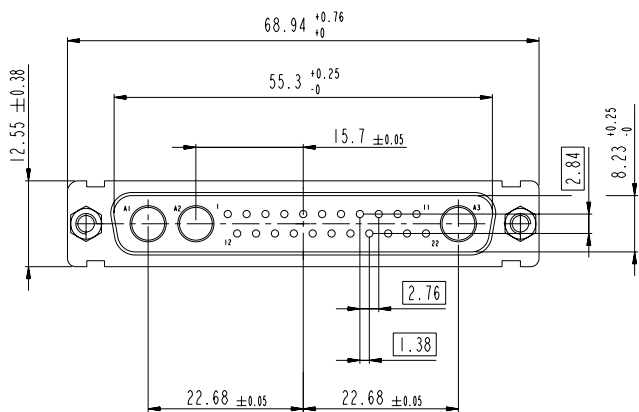
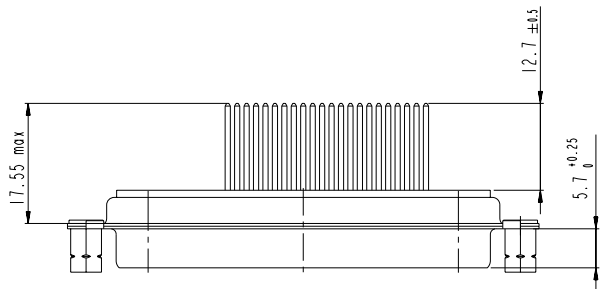
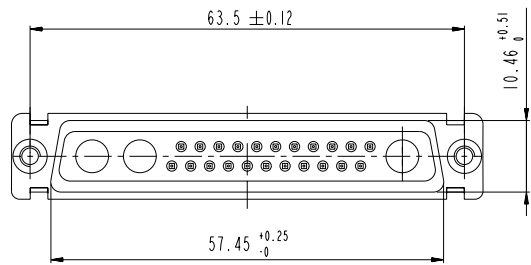


Floating signal contacts

www.fciconnect.com		surface - ISO 1302	tolerance std ISO 406 ISO 1101	projection mm
		TOLERANCES UNLESS OTHERWISE SPECIFIED		
Dr M PESSON	2006/11/14	ANGULAR	0.X ±0.3	size A2 Scale 2:1
Eng P LEGARE	2006/11/14	LINEAR	0.XX ±0.1	ECN LS07-0273
Chr P LEGARE	2006/11/14	0° ±2°	0.XXX ±0.05	Spec ref
Appr P LEGARE	2006/11/14	Product family		
FCI	TITLE SUB MALE DMW	part no	C01-8637-1756	Rev. B
	mixed power 3 level wire wrap	catalog no	CUSTOMER	sheet 5 of 7

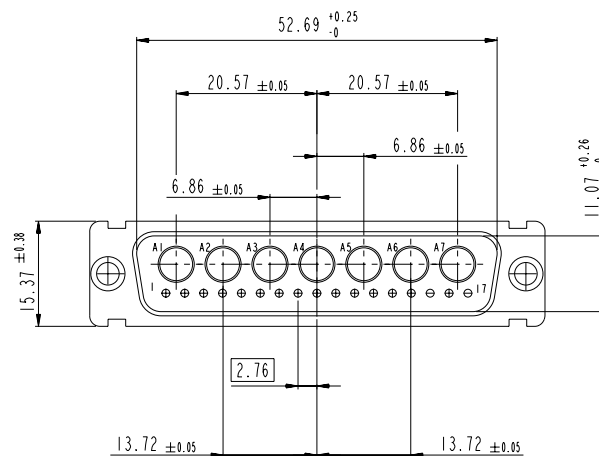
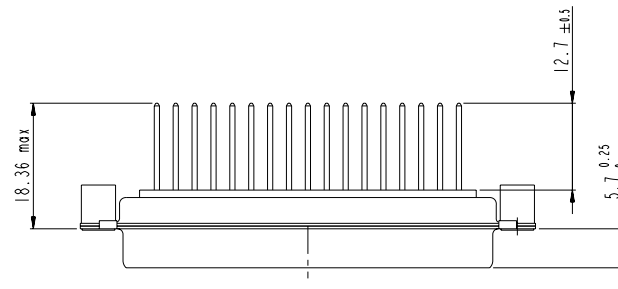
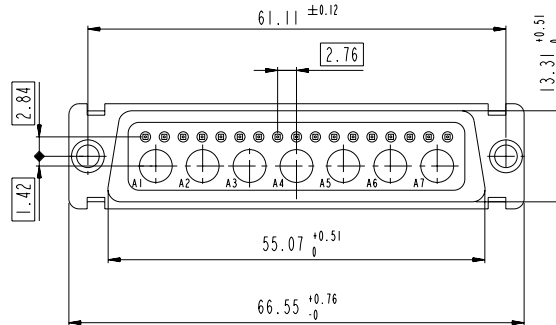
Copyright FCI.

25W3

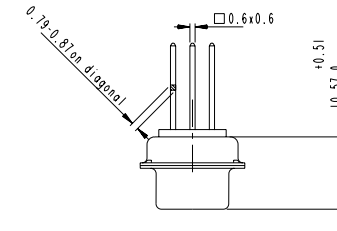


Floating signal contacts

24W7

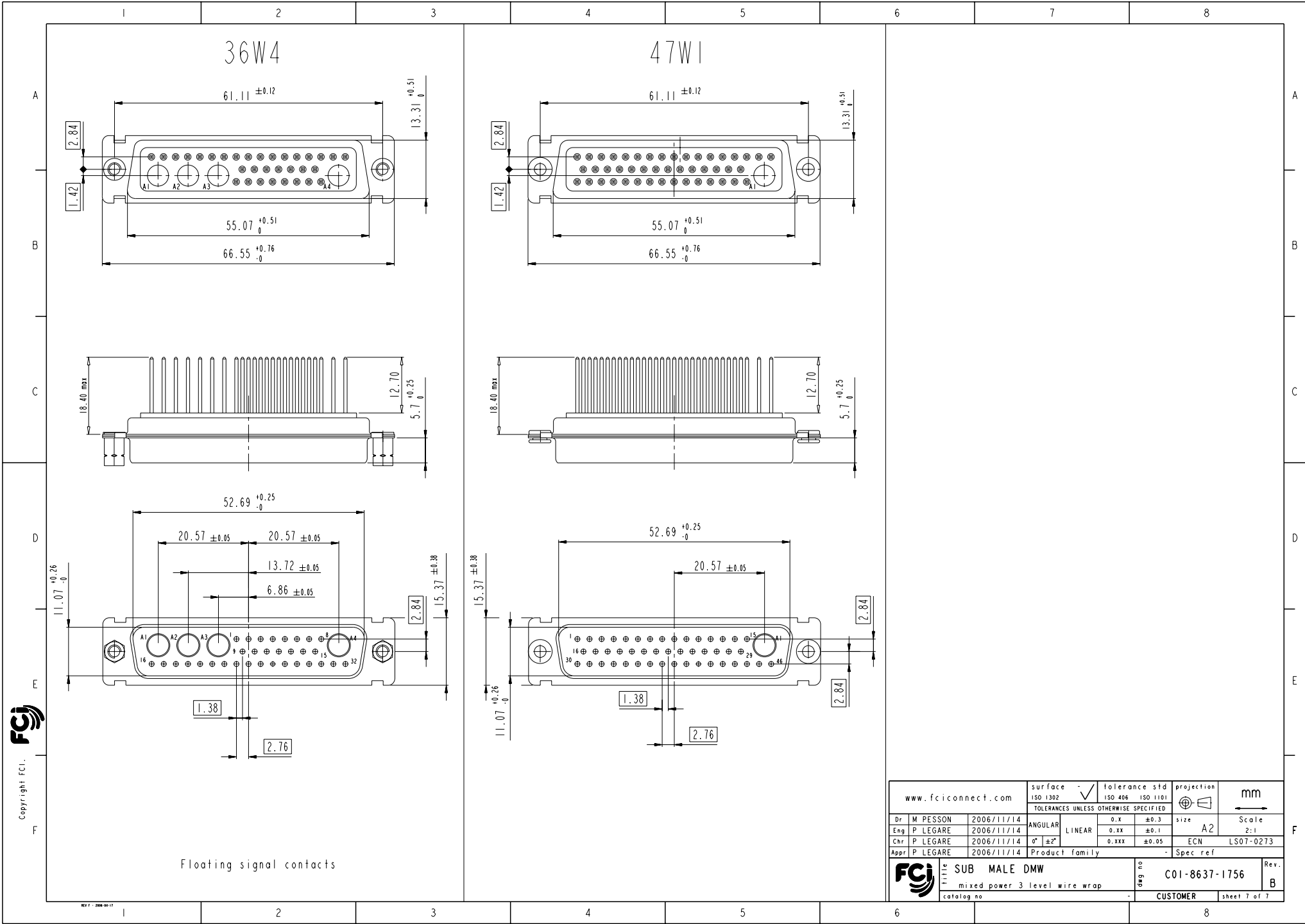


SIDE VIEW FOR LAYOUT: D



Copyright FCI.

www.fciconnect.com		surface -	tolerance std	projection	mm
		ISO 1302	ISO 406 ISO 1101		
		TOLERANCES UNLESS OTHERWISE SPECIFIED			
Dr	M PESSON	2006/11/14	ANGULAR	0.X ±0.3	size A2 Scale 2:1
Eng	P LEGARE	2006/11/14	LINEAR	0.XX ±0.1	
Chr	P LEGARE	2006/11/14	0° ±2°	0.XXX ±0.05	ECN LS07-0273
Appr	P LEGARE	2006/11/14	Product family	-	Spec ref
		SUB MALE DMW		dwg no	C01-8637-1756
		mixed power 3 level wire wrap		Rev.	B
catalog no		CUSTOMER		sheet 6 of 7	



Floating signal contacts

Copyright FCI

www.fciconnect.com		surface ISO 1302	tolerance std ISO 406 ISO 1101	projection ISO 1101	mm
		TOLERANCES UNLESS OTHERWISE SPECIFIED			
Dr	M PESSON	2006/11/14	ANGULAR	0.X ±0.3	size A2 Scale 2:1
Eng	P LEGARE	2006/11/14	LINEAR	0.XX ±0.1	
Chr	P LEGARE	2006/11/14	0° ±2°	0.XXX ±0.05	ECN LS07-0273
Appr	P LEGARE	2006/11/14	Product family		Spec ref
FCI		SUB MALE DMW		ang no	C01-8637-1756
		mixed power 3 level wire wrap		Rev.	B
catalog no		CUSTOMER		sheet 7 of 7	