

THIS DRAWING IS UNPUBLISHED.

RELEASED FOR PUBLICATION

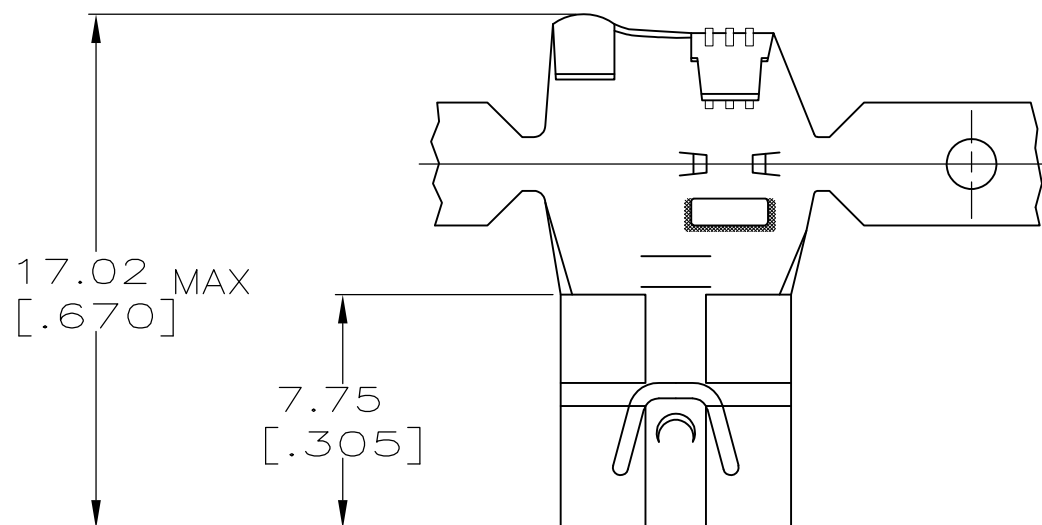
© COPYRIGHT - By -

ALL RIGHTS RESERVED.

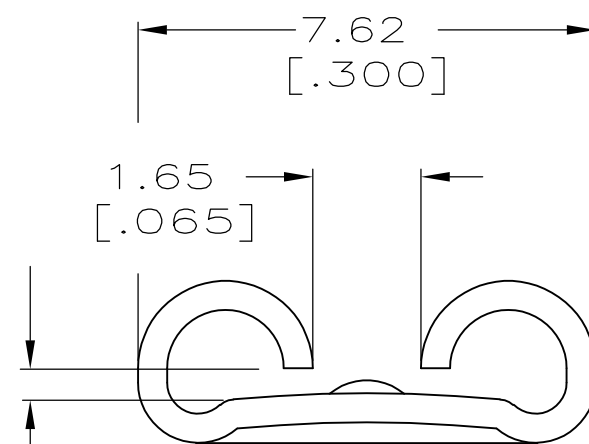
LOC AF DIST 50

REVISIONS

P	LTR	DESCRIPTION	DATE	DWN	APVD
E		REVISED PER ECR-12-013518	23NOV2012	KH	PD

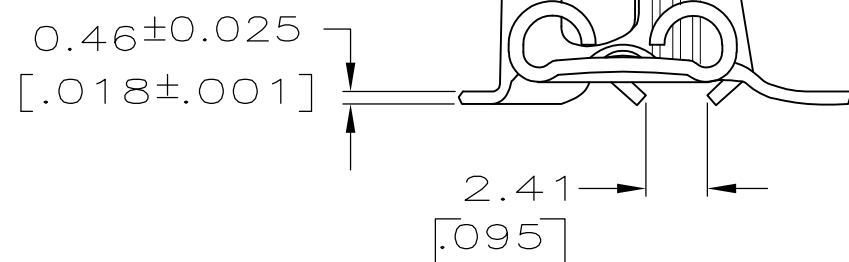
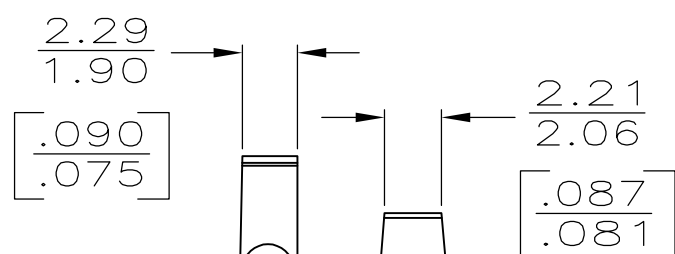


1 CONTINUOUS STRIP ON REELS.



FITS 6.35 [.250] SERIES FASTON TAB

VIEW A-A
SCALE 8:1



TIN	2.79-5.33	0.8mm ² - 3.0mm ²	0.81	63555-2
---	[.110-.210]	18-12 AWG	[.032]	63555-1
FINISH	INSULATION RANGE	WIRE SIZE	MATING TAB THK ±0.025 [.001]	PART NO

THIS DRAWING IS A CONTROLLED DOCUMENT.		DWN P FORTNEY 11/9/89	STE TE Connectivity		
		CHK JR RUTH 11/9/89			
DIMENSIONS: mm [INCHES]	TOLERANCES UNLESS OTHERWISE SPECIFIED:	APVD C MYERS 11/9/89	NAME		
	0 PLC ± -	PRODUCT SPEC R KUZO 11/9/89	RECEPTACLE, FASTON TM		
	1 PLC ± -	APPLICATION SPEC	FLAG, 6.35 [.250] SERIES		
MATERIAL BRASS	FINISH SEE TABLE	WEIGHT -	SIZE	CAGE CODE	DRAWING NO
		CUSTOMER DRAWING		A300779	C-63555
		SCALE 4:1	SHEET 1 OF 1	REV E	