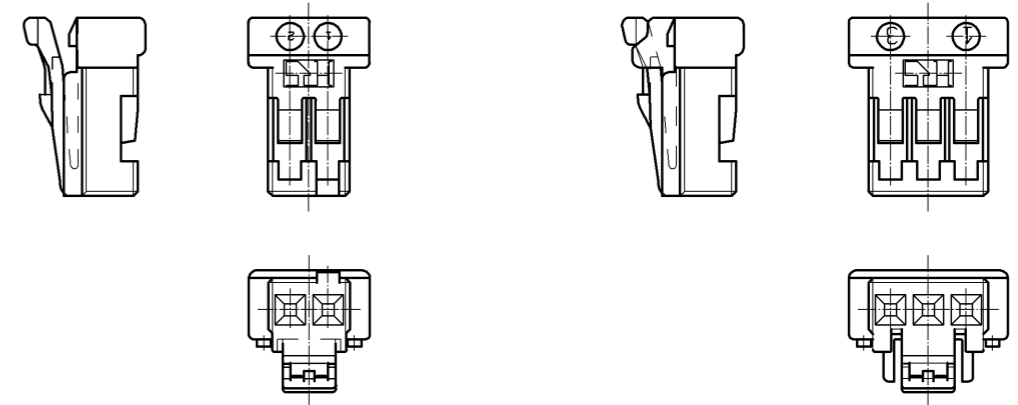

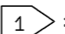
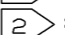
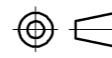
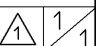


 1 FOR DF1E-2S-2.5C
  1 FOR DF1E-3S-2.5C



 PART No.	CODE No.	NUMBER OF CONTACTS	A	B	C
DF1E- 2S-2.5C	CL541-0811-0	2	2.5	8.0	5.4
DF1E- 3S-2.5C	CL541-0812-2	3	5.0	10.5	7.9
DF1E- 4S-2.5C	CL541-0813-5	4	7.5	13.0	10.4
DF1E- 5S-2.5C	CL541-0814-8	5	10.0	15.5	12.9
DF1E- 6S-2.5C	CL541-0815-0	6	12.5	18.0	15.4
DF1E- 7S-2.5C	CL541-0816-3	7	15.0	20.5	17.9
DF1E- 8S-2.5C	CL541-0817-0	8	17.5	23.0	20.4
DF1E- 9S-2.5C	CL541-0818-9	9	20.0	25.5	22.9
DF1E-10S-2.5C	CL541-0819-1	10	22.5	28.0	25.4
DF1E-11S-2.5C	CL541-0820-0	11	25.0	30.5	27.9
DF1E-12S-2.5C	CL541-0821-3	12	27.5	33.0	30.4
DF1E-13S-2.5C	CL541-0822-6	13	30.0	35.5	32.9
DF1E-14S-2.5C	CL541-0823-9	14	32.5	38.0	35.4
DF1E-15S-2.5C	CL541-0824-1	15	35.0	40.5	37.9

NOTES  : CONFIGURATION OF DF1E-2S-2.5C AND DF1E-3S-2.5C
 : ONLY APPLICABLE TO PRODUCTS OF 6 POSITIONS AND OVER.
 (TWO PROTRUSIONS ARE NOT PROVIDED TO PRODUCTS OF 5 POSITIONS AND BELOW.)
 3 : 1 PACK 100 PIECES.

NO.	MATERIAL	FINISH . REMARKS	1	POLYAMIDE	WHITE (NATURAL) . UL94V-0
UNITS mm		SCALE 2 : 1	COUNT 3	DESIGNED MI. SAKIMURA	CHECKED HK. UMEHARA
DESCRIPTION OF REVISIONS DIS-H-006008			DATE 07.02.27	DATE 07.02.27	DATE 11.07.20
APPROVED : TY. OMA			DATE 07.02.27	DRAWING NO. EDC3-161939-01	
CHECKED : HK. UMEHARA			DATE 07.02.22	PART NO. DF1E- * S-2.5C	
DESIGNED : AH. MIYAZAKI			DATE 07.02.22	CODE NO. CL541-	
DRAWN : AK. MIURA			DATE 07.02.22	 1/1	