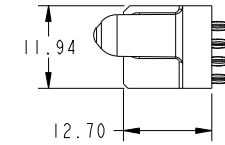
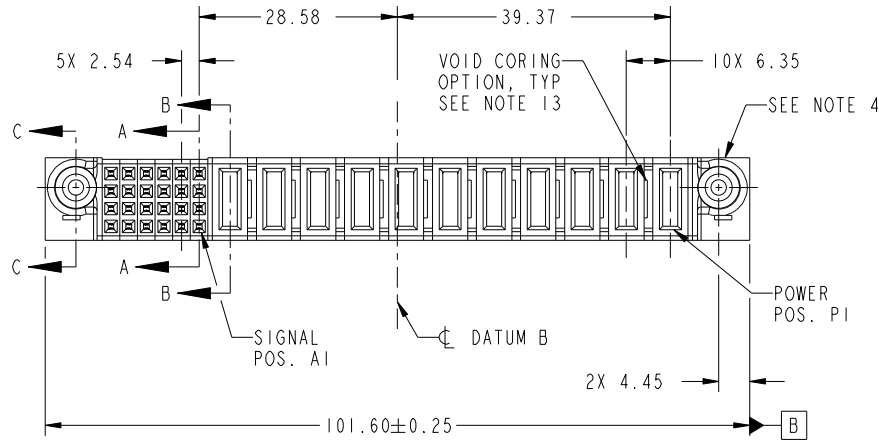


Tous droits strictement reserves. Reproduction ou communication a des tiers interdite sous quelque forme que ce soit sans autorisation écrite du propriétaire. Propriete de c FCI. Droits de reproduction FCI.



All rights strictly reserved. Reproduction or issue to third parties in any form whatever is not permitted without written authority from the proprietor. Property of FCI. Copyright FCI.

PRODUCT NO.	ROWS	SIGNAL					POWER										E1				
		E2	6	5	4	3	2	1	P11	P10	P9	P8	P7	P6	P5	P4		P3	P2	P1	
51752-028-- NOTE: 3	D C B A		F	F	F	F	F	F	F	F	F	F	F	F	F	F	F	F	F	F	



CODE	DIM "M" MATING LENGTH	CONTACT TYPE
PF	[2.34]	POWER
F	[N/A]	SIGNAL
PC	[1.07]	POWER

mat'l code				SEE NOTES 2		tolerances unless otherwise specified		CUSTOMER			
ltr	ecn no.	dr	date	linear	0.X ±0.5	projection		COPY		www.fciconnect.com	
A	DG09-0301	WD	09/14/09	angles	0.XX ±0.25			title		IIP + 24S	
					0.XXX ±0.1			product family		PwrBlade	
				dr	0° ±2°	scale		size		code	
				enr	Warren Du 09/09/09	1:1		dwg no		213	
				chr	Warren Du 09/09/09			A		51752-028	
				appd	PM ZHENG 09/09/09			sheet		1 of 4	
					Joseph Hsia 09/09/09			cage code		22526	
sheet index	revision sheet	A	A	A	A						
		1	2	3	4						

1 | 2

Pro/E

3 |

cage code 22526

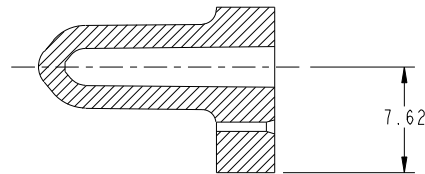
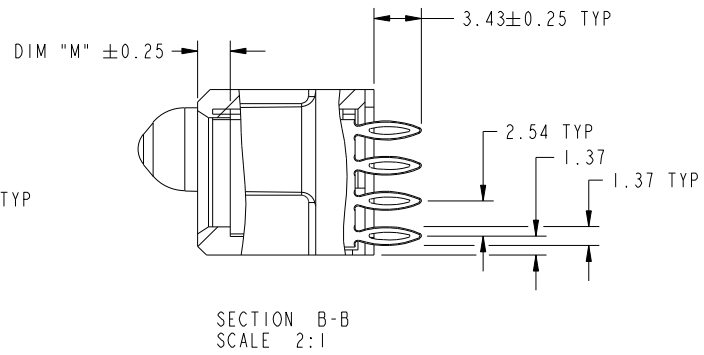
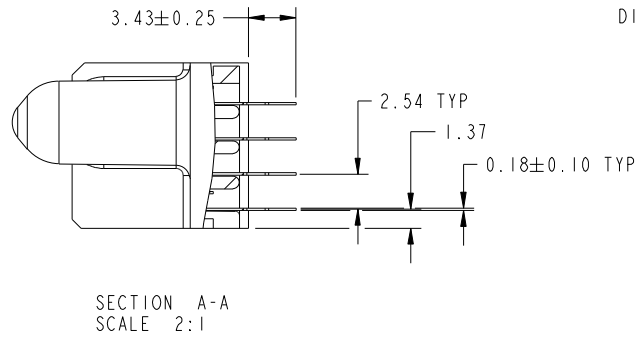
4

Tous droits strictement reserves. Reproduction ou communication a des tiers interdite sous quelque forme que ce soit sans autorisation écrite du propriétaire. Propriete de c FCI. Droits de reproduction FCI.

All rights strictly reserved. Reproduction or issue to third parties in any form whatever is not permitted without written authority from the proprietor. Property of FCI. Copyright FCI.



PRODUCT NUMBER
51752-028_
NOTE: 3



mat'l code				SEE NOTE 2		tolerances unless otherwise specified		CUSTOMER		FCI	
ltr	ecn no.	dr	date	linear	0.X ±0.5		COPY		www.fciconnect.com		
A					0.XX ±0.25		projection		title		
					0.XXX ±0.1				11P + 24S VERTICAL PRESS-FIT RECEPT		
				angles	0° ±2°				product family		code
				dr	Warren Du	09/09/09	scale		PwrBlade		213
				enr	Warren Du	09/09/09	1:1		size		sheet
				chr	PM ZHENG	09/09/09			A		2 of 4
				appd	Joseph Hsia	09/09/09			51752-028		
sheet index	revision sheet										

cage code 22526

Pro/E

Tous droits strictement reserves. Reproduction ou communication a des tiers interdite sous quelque forme que ce soit sans autorisation écrite du propriétaire. Propriete de c FCI. Droits de reproduction FCI.



All rights strictly reserved. Reproduction or issue to third parties in any form whatever is not permitted without written authority from the proprietor. Property of FCI. Copyright FCI.

PRODUCT NUMBER
51752-028_
NOTE: 3

NOTES:

1. DIMENSIONS AND TOLERANCES ARE IN ACCORDANCE WITH ASME Y14.5M, 1994 UNLESS OTHERWISE SPECIFIED.

CONNECTOR NOTES:

- ② HOUSING MATERIAL: UL 94 V-0 GLASS FILLED HIGH-TEMP THERMOPLASTIC
POWER CONTACT MATERIAL: COPPER ALLOY
SIGNAL PIN MATERIAL: COPPER ALLOY
- 3. SEE ITEM 7 & 8 IN PRINT 10064183 FOR PLATING SPEC OF 51752-028 AND 51752-028LF RESPECTIVELY.
- ④ MANUFACTURER'S NAME, P/N AND DATE CODE TO APPEAR ON THIS SURFACE.
- 5. PRODUCT SPECIFICATION GS-12-149.
APPLICATION SPECIFICATION BUS-20-067.
- 6. PACKAGED IN TRAYS.

PCB NOTES:

- 7. ALL HOLE DIAMETERS ARE FINISHED HOLE SIZE.
- ⑧ MOUNTING HOLES, WHERE APPLICABLE, ARE UNPLATED.
- ⑨ $\varnothing 1.151 \pm 0.025$ DRILLED HOLES PLATED WITH
0.008 MIN SnPb OR Sn OVER 0.03
TO 0.08 Cu PLATING TO ACHIEVE
 $\varnothing 1.02 \pm .07$ HOLE.
- ⑩ "DIM XXX" TO BE DETERMINED BY THE CUSTOMER.
- ⑪ CONNECTOR KEEP-OUT ZONE.
- ⑫ RECOMMENDED RETENTION TO PCB
 $\varnothing 3.30$ THRU HOLE FOR #5 SOCKET HEAD CAP SCREW MAX. HEAD 5.21
RECOMMENDED SCREW LENGTH 11.99 + PCB THICKNESS.
RECOMMENDED SCREW SEATING TO PCB TORQUE: 2300-5760 gf-cm.
- 13. THE VOID CORING IN BETWEEN POWER MODULES, SIGNAL MODULES AND END MODULES ARE OPTIONAL AND THE SHAPE MAY BE DIFFERENT FOR OPTIMIZING THE MOLDING PROCESS. THE VOID CORING WILL NOT EFFECT TO PRODUCT FUNCTION.

mat'l code				SEE NOTE 2		tolerances unless otherwise specified		CUSTOMER		FCI		www.fciconnect.com			
ltr	ecr no.	dr	date	linear	0.X ± 0.5		COPY		projection	title					
A					0.XX ± 0.25		MIM			IIP + 24S VERTICAL PRESS-FIT RECEPT					
					0.XXX ± 0.1		MIM			product family		PwrBlade		code	
				angles	0° ± 2°		scale		size		dwg no		sheet		
				dr	Warren Du	09/09/09	1:1		A		51752-028		4 of 4		
				enrg	Warren Du	09/09/09									
				chr	PM ZHENG	09/09/09									
				appd	Joseph Hsia	09/09/09									
sheet index		revision sheet													

cage code 22526

Pro/E