

THIS DRAWING IS UNPUBLISHED.

RELEASED FOR PUBLICATION

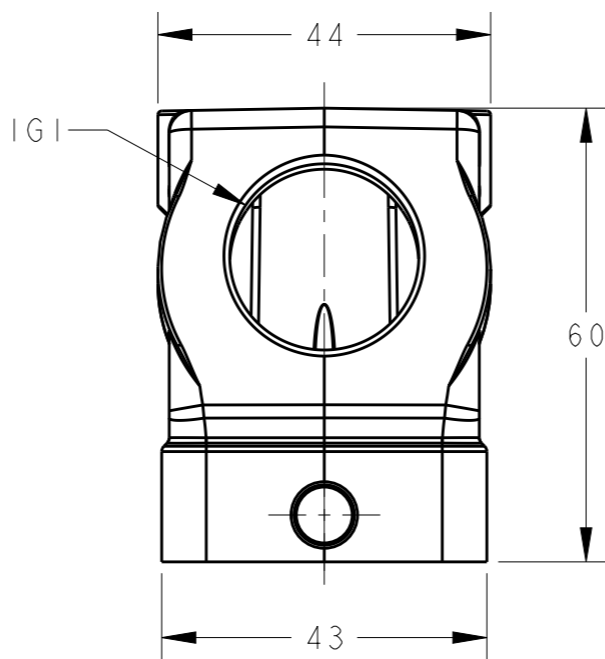
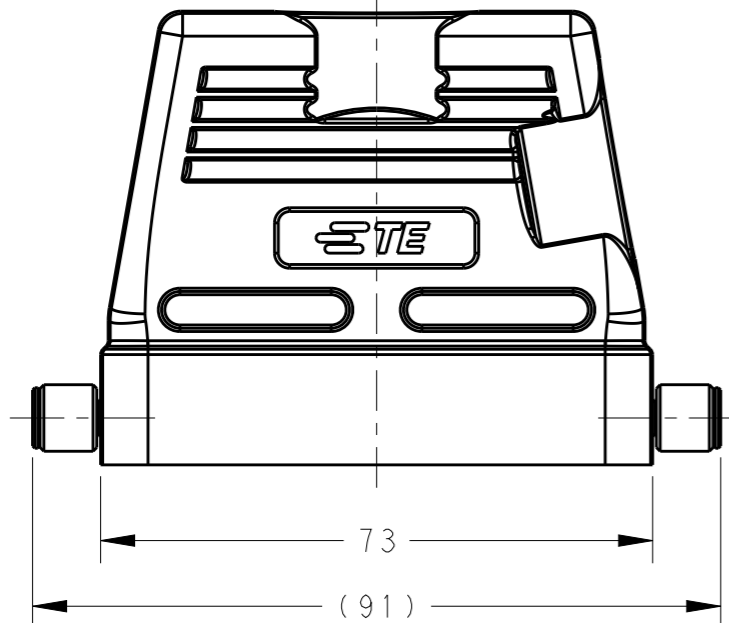
20

© COPYRIGHT 20 BY -

ALL RIGHTS RESERVED.

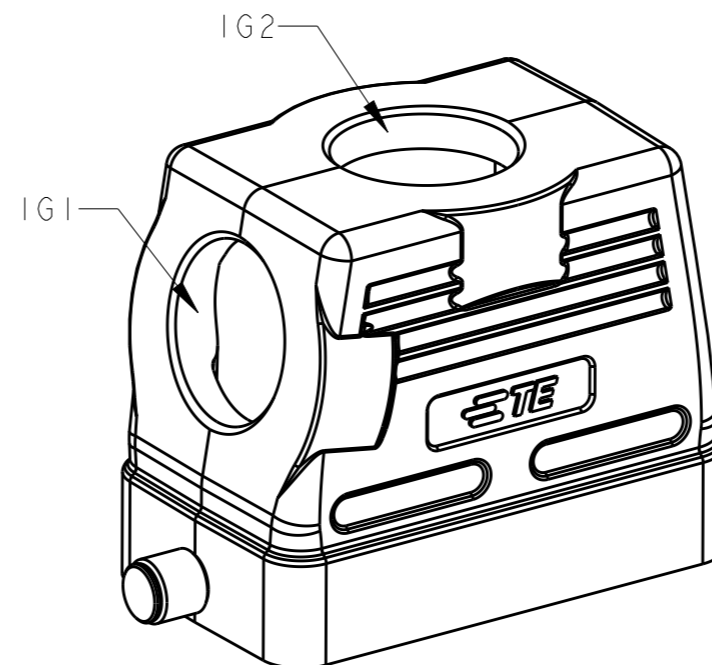
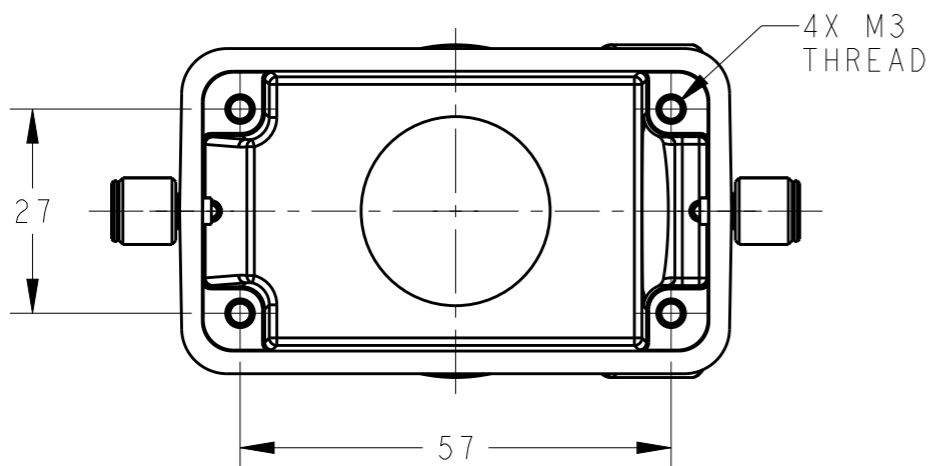
REVISIONS

P	LTR	DESCRIPTION	DATE	DWN	APVD
	A	INITIAL	04JUN2015	DW	CW



NOTES:
 1. TECHNICAL CHARACTERISTICS:
 HOOD MATERIAL: DIE CAST ALUMINIUM ALLOY
 SURFACE: POWDER COATED, GREY
 OPERATION TEMPERATURE: -40-+125°C
 DEGREE OF PROTECTION: IP65 (MATED)

注释:
 1. 技术参数:
 上壳材料: 铝合金
 表面处理: 粉末涂层, 灰色
 工作温度: -40-+125°C
 防护等级: IP65(配合)



T1300100225-000	H10B-TS/G-RO-2M25	M25	M25
PART NUMBER	DESCRIPTION	IG1	IG2

THIS DRAWING IS A CONTROLLED DOCUMENT.		DWN 04JUN2015 David Wang	STE TE Connectivity	
DIMENSIONS: mm		CHK 04JUN2015 Chris Wang		
TOLERANCES UNLESS OTHERWISE SPECIFIED:		APVD 04JUN2015 Xiang Xu	NAME H10B-TS/G-RO-2M25	
0 PLC ±-		PRODUCT SPEC 108-137013	SIZE CAGE CODE DRAWING NO RESTRICTED TO	
1 PLC ±-		APPLICATION SPEC 114-137013	A300779 © T1300100225000	
2 PLC ±-		WEIGHT -	SCALE 1:1 SHEET 1 OF 1 REV A	
3 PLC ±-		Customer Drawing		
4 PLC ±-				
ANGLES ±-				
FINISH				
MATERIAL				