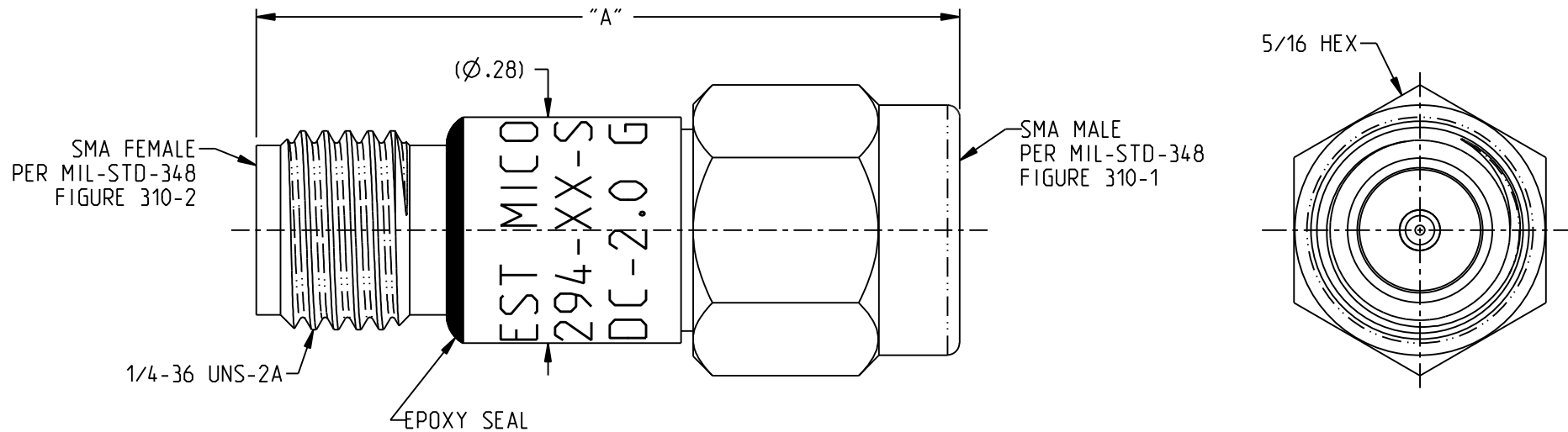


ATTENUATION VALUE	"A"
0 - 12.5	.86
13 - 30	1.02



NOTES: UNLESS OTHERWISE SPECIFIED.

1. MATERIAL & FINISH:

- 1.1 HOUSING & COUPLING NUT: PASSIVATED STAINLESS STEEL
- 1.2 DIELECTRIC: PTFE (TEFLON)
- 1.3 CENTER CONTACT: GOLD PLATED BERYLLIUM COPPER
- 1.4 GASKET: SILICONE RUBBER

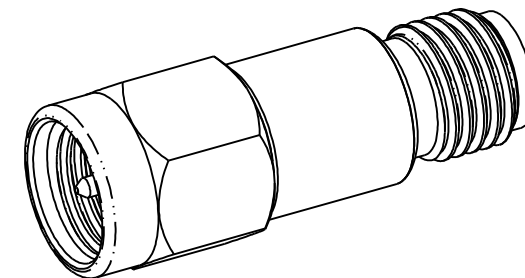
2. SPECIFICATIONS:

- 2.1 FREQUENCY RANGE: DC - 12.4 GHz
- 2.2 ATTENUATION ACCURACY:
  - 2.2.1 0 dB = +0.3/-0 dB
  - 2.2.2 0.5 - 6 dB = ±0.3 dB
  - 2.2.3 6.5 - 20 dB = ±0.5 dB
  - 2.2.4 20.5 - 30 dB = ±1.0 dB
- 2.3 VSWR (MAX): 1.07 + .015f (GHz)
- 2.4 INPUT POWER (MAX):

AVERAGE: 2 WATTS AT 25°C DERATED LINEARLY TO 0.5 WATTS AT 125°C

PEAK: 200 WATTS FOR A DUTY CYCLE OF 5 X 10<sup>-4</sup>, MAX PULSE DURATION OF 5 MICROSECONDS.

- 2.5 OPERATING TEMP. RANGE: -65°C TO 125°C



<p>This PROPRIETARY Document is property of Cinch Connectivity Solutions. It is confidential in nature, non-transferable, and issued with the clear understanding that it is no traced or copied without permission and is returnable upon demand.</p> <p>INTERPRET DRAWING IN ACCORDANCE WITH ASME Y14.5-2009.</p>		<b>MIDWEST MICROWAVE</b>	
	<b>RoHS2</b> <input checked="" type="checkbox"/> 2011/65/EU	Title: ATTENUATOR 0-30 dB	
	UNLESS OTHERWISE SPECIFIED UNITS: INCH .XX ±.02 .XXX ±.005 ANGLES ±2°	Model No.: ATT-0294-XX-SMA-02	
	Size A	DO NOT SCALE DRAWING	Date: 2/11/2016