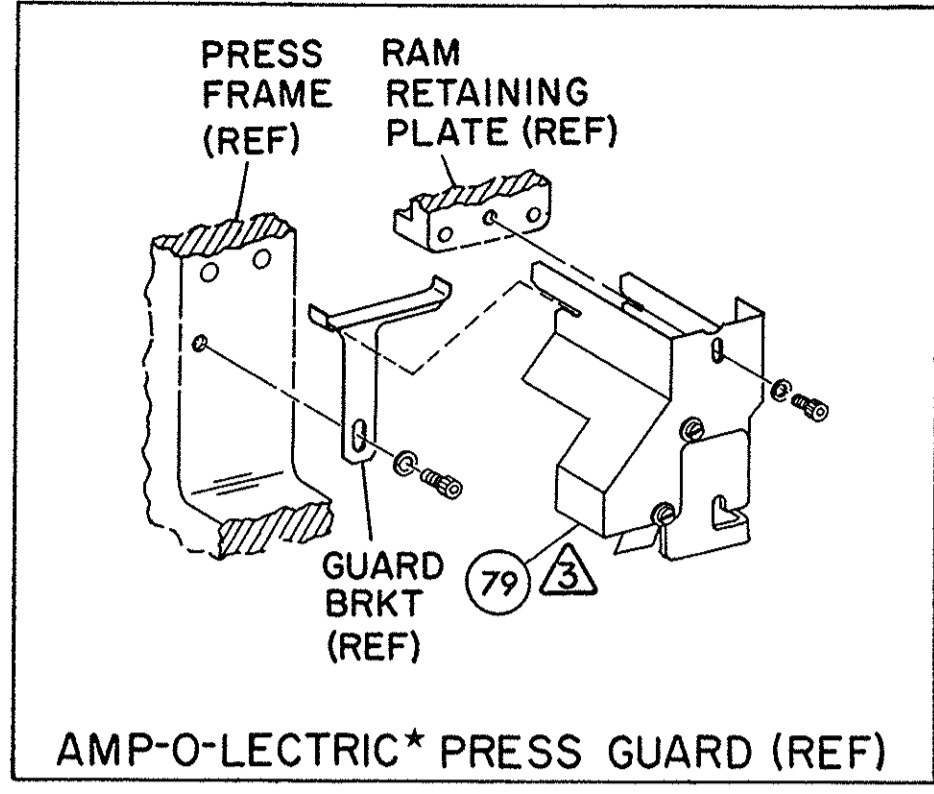
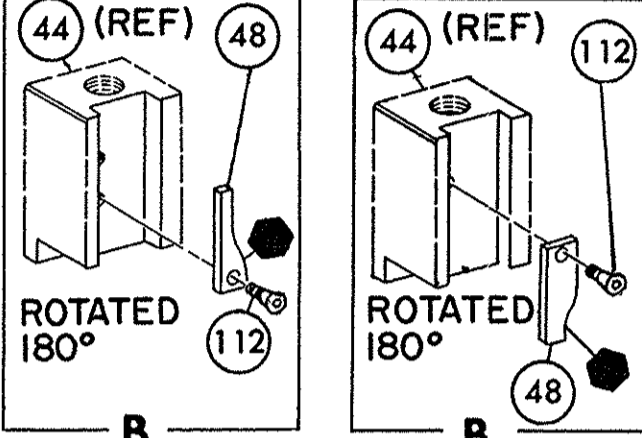
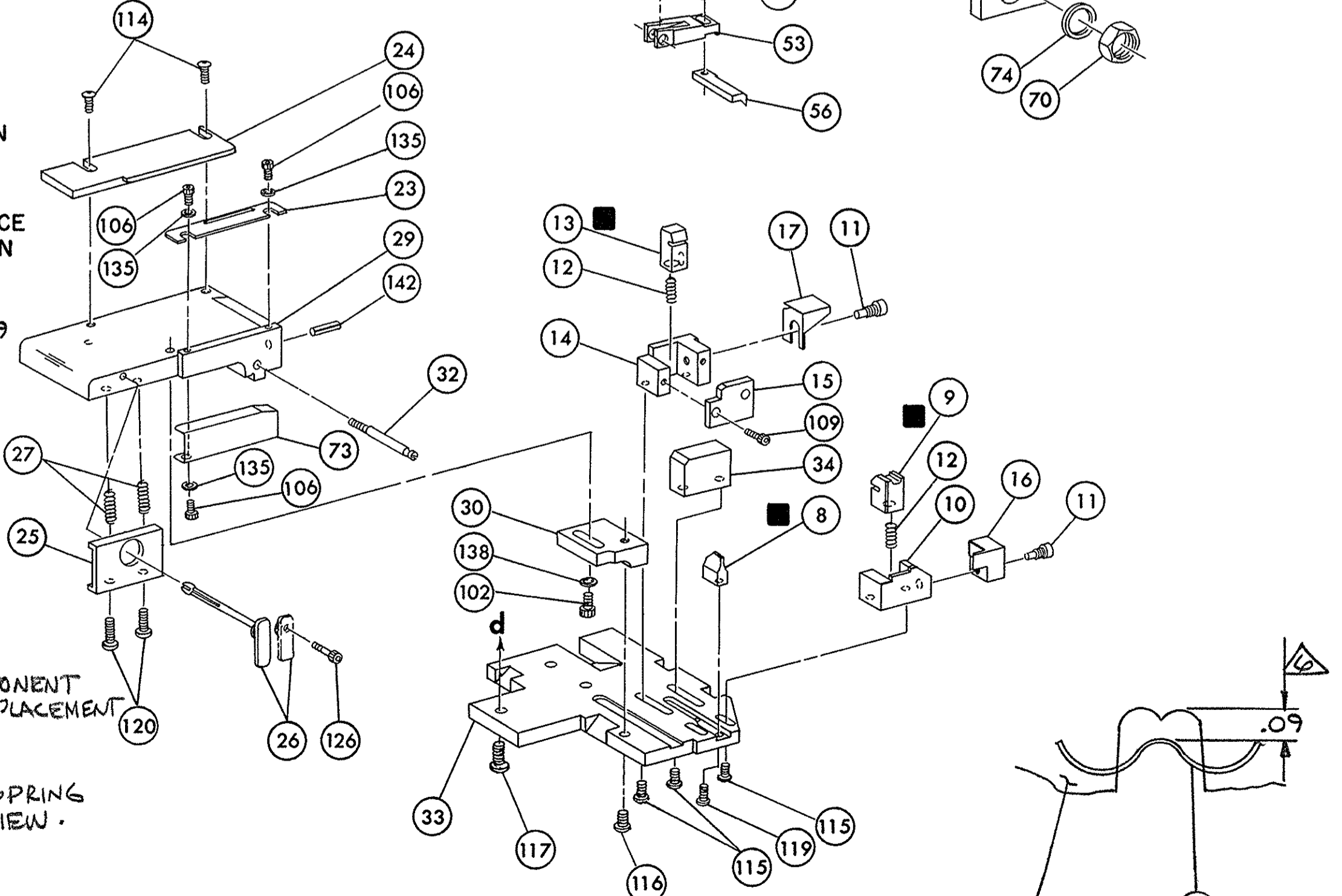


PRE-FEED 1/8" STROKE
POST-FEED 5/8" STROKE



- NOTES:
- 1.- ONLY THE ITEMS WITH QUANTITIES SPECIFIED ON PARTS LIST ARE USED ON THIS APPLICATOR.
 - 2.- USED IN PLACE OF ITEM 38 WHEN INSULATION CRIMP IS NOT USED.
 - 3.- GUARD MUST BE IN PLACE WHEN OPERATING APPLICATOR IN AMP-O-LECTRIC PRESS.
 - 4.- ITEMS WITH QTY OF REF. SPECIFIED (EXCEPT ITEM 75 & 19) ARE USED ON ITEM 46.
- KEY:
- - RECOMMENDED SPARE PARTS CUSTOMER RESPONSIBLE FOR REPLACEMENT.
 - ▲ - LUBRICATE DAILY USING NO. 20 MACHINE OIL.
 - - GREASE LIGHTLY
 - △ - ITEM 75 (EXPENDABLE COMPONENT OF ITEM 2) FOR CUSTOMER REPLACEMENT PURPOSES ONLY.
 - ▽ - ADJUST WIRE DEPRESSOR SPRING AS SHOWN IN ENLARGED VIEW.



REF.	21045-3	RING, RETAINING 'C' (.187 DIA) FEED FINGER PIN	145	REF.	454220-1	CAP, HOUSING	59
REF.	5-21028-1	PIN, SLOT SPR (.125 DIA X .50) ADJ ROD	144	REF.	454485-1	HOUSING	58
1	4-21028-0	PIN, SLOT SPR (.093 DIA X .75) STR G PLATE	143				57
REF.	1-21030-1	PIN, DOWEL (.187 DIA X .50) LEVER	142	1	690542-3	PAWL, FEED	56
REF.	1-21030-6	PIN, DOWEL (.187 DIA X 1.25) HOUSING	141	REF.	240624-1	PIN, FEED FINGER	55
	21024-5	WASHER, LOCK (NO 10) LUB ASSY	140	REF.	691499-1	SPRING, FEED FINGER	54
1	21024-5	WASHER, LOCK (NO 10) STRIP GUIDE ADJ BLOCK	139	REF.	690541-1	FINGER, FEED	53
REF.	21024-5	WASHER, LOCK (NO 10) ADJ PLATE	138	REF.	455679-1	LEVER, TERMINAL FEED ARM	52
REF.	21024-5	WASHER, LOCK (NO 10) FEED GUIDE ROD	137			BUMPER, HOLDDOWN	51
3	21057-2	WASHER, LOCK (NO 4) FRONT STRIP GUIDE	136			SPACER, TONKER	50
1	21024-4	WASHER, LOCK (NO 8) FEED FINGER	135	1	7-21028-9	BOLT, CRIMPER	49
2	21024-4	WASHER, LOCK (NO 8) DEPRESSOR	134	1	690602-5	CAM	48
1	21024-4	WASHER, LOCK (NO 8) STRIPPER	133				47
REF.	21899-4	WASHER, FLAT (5/16 DIA) SCREW ADJ	132	/	459456-1	APPLICATOR, BASIC (SUB ASSY)	46
	21899-2	WASHER, FLAT (NO 10) LUB ASSY	131	1	690191-1	PLUG, NYLON	45
	21068-5	NUT, HEX MACH (6-32) HOLDDOWN	130	1	455673-1	RAM	44
REF.	21068-5	NUT, HEX MACH (6-32) FEED ADJ	129	1	690125-1	WASHER, LAMINATED	43
			128	1	690124-1	WASHER, RAM	42
			127			DISC, SPACER	41
			126	2	23241-6	BALL, STEEL	40
1	456567-1	SCR, SHLD. (.188 DIA. X .125 LG.) STRIPPER	125	2	690170-1	SPRING, COMPRESSION	39
1	21009-2	SCR, SKT SET (1/4-20 X .25) (LOC-WEL.) RAM	124	/	690142-5	DISC, INSULATION	38
2	21017-2	DRIVE SCR (#2 X .19)	123	1	690692-7	DISC, WIRE	37
REF.	3-21064-2	SCR, RD HD MACH (6-32 X 1.50) FEED ADJ	122	1	22480-5	WASHER, SPRING	36
1	461264-1	PLATE, IDENTIFICATION	121	1	690212-1	POST, RAM	35
2	2-21002-9	SCR, BUT HD SKT CAP (10-32 X .75) DRAG	120			SUPPORT, TERMINAL	34
1	22733-8	SCR, BUT HD SKT CAP (8-32 X .38) (LOC-WEL.) ANVIL	119	REF.	455675-1	PLATE, BASE	33
REF.	2-21002-9	SCR, BUT HD SKT CAP (10-32 X .75) CAP	118	1	690432-3	SCREW, ADJUSTMENT	32
REF.	1-24073-9	SCR, BUT HD SKT CAP (1/4-20 X .75) HOUSING	117	/	1424350-1	HOLDER, PIN, WIRED	31
REF.	2-21002-7	SCR, BUT HD SKT CAP (10-32 X .50) SG ADJ BLOCK	116	REF.	455689-1	BLOCK, STRIP GUIDE ADJ	30
4	2-21002-2	SCR, BUT HD SKT CAP (8-32 X .50) SHEAR	115	1	455671-1	PLATE, STRIP GUIDE	29
2	2-21002-1	SCR, BUT HD SKT CAP (8-32 X .38) R STRIP GUIDE	114	/	1-690407-0	SPACER, FRONT SHEAR DEPRESSOR	28
			113	2	1-22284-0	SPRING, DRAG	27
1	2-21003-0	SCR, FLAT HD SKT CAP (6-32 X .50) CAM	112	1	690546-1	LEVER, DRAG RELEASE	26
			111	1	240792-5	DRAG, STOCK	25
2	23030-1	SCR, SKT HD CAP (6-32 X .25) (LOC-WEL.) CP DISC	110	1	2-690440-5	GUIDE STRIP (REAR)	24
2	1-21000-8	SCR, SKT HD CAP (6-32 X .25) REAR SHEAR PLATE	109	1	693855-2	GUIDE, STRIP (FRONT)	23
2	3-21000-0	SCR, SKT HD CAP (8-32 X .88) DEPRESSOR	108	/	1490524-1	SPACER, DEPRESSOR	22
1	2-22603-0	SCR, HEX HD MACH (8-32 X .31) FEED FINGER	107	REF.	4-22284-9	SPRING, FEED RETURN	21
3	1-21000-3	SCR, SKT HD CAP (4-40 X .25) F STRIP GUIDE	106	/	458950-1	ARM, STRIPPER	20
1	2-21000-7	SCR, SKT HD CAP (8-32 X .50) STRIPPER	105	1	458949-1	STRIPPER	19
REF.	3-21000-7	SCR, SKT HD CAP (10-32 X .75) FEED ROD GUIDE	104			HOLDER, TERMINAL	18
REF.	3-21000-6	SCR, SKT HD CAP (10-32 X .62) FEED ADJ BLOCK	103	/	691668-1	GUARD, CHIP (REAR)	17
1	3-21000-4	SCR, SKT HD CAP (10-32 X .38) SG ADJ BLOCK	102	/	691667-1	GUARD, CHIP (FRONT)	16
REF.	3-21000-4	SCR, SKT HD CAP (10-32 X .38) PIVOT BLOCK	101	/	690691-9	PLATE, SHEAR (REAR)	15
REF.	455749-1	GUARD, WINDOW	79	/	690462-1	HOLDER, SHEAR (REAR)	14
REF.	1-465184-0	LUBRICATOR ASSY	78	/	690463-1	SHEAR, FLOAT (REAR)	13
		OIL, LUBRICATING	77	2	5-22280-0	SPRING, SHEAR	12
2	1-23147-4	SPRING, COMPRESSOR	76	2	690461-1	STOP, SHEAR	11
REF.	461182-1	DEF. WIRE (REPLACEMENT ONLY REF 2) 5/16	75	/	690459-1	HOLDER, SHEAR (FRONT)	10
REF.	458109-1	WASHER, SPECIAL	74	/	454276-1	SHEAR, FLOAT (FRONT)	9
1	454877-3	PLATE, STRIP GUIDE COVER	73	1	4-458834-4	ANVIL	8
2	690603-1	SPRING, ASSIST	72	/	2-240641-6	SPACER, DEPRESSOR (REAR)	7
REF.	690517-1	SPACER	71	/	690468-1	DEPRESSOR, SHEAR (REAR)	6
		NUT, HEX	70	/	1-455839-4	DEPRESSOR, SHEAR (FRONT)	5
		PLATE, ADJUSTMENT	69	/	2-238011-2	SPACER, TUBULAR, INS CRIMPER	4
		SHAFT, PIVOT	68	/	7-456134-9	CRIMPER, INSULATION	3
		BUSHING	67	/	1490525-3	WIRE DEPRESSOR	2
		LEVER, INTERMEDIATE	66	1	3-456404-2	CRIMPER, WIRE	1
		BLOCK, PIVOT	65				
		SCREW, ADJUSTMENT FEED ROD	64				
		PIN, CAM ROLLER	63				
		ROLLER, CAM	62				
		ROD, FEED	61				
REF.	454178-1	GUIDE, FEED ROD	60				

CRIMPING DATA				APPLICATOR WILL APPLY	
PAD LTR	CRIMP HEIGHT	WIRE SIZE	STRIP LENGTH	62416	
A	.054	20	.125-.155		
B	.051	22	.125-.155		
C	.049	24	.125-.155		
D	NOT USED				
CRIMP	SIZE	TYPE	FEED	APPL INST	
WIRE	.070	F	.626	A1 8040	
INSUL	.140	F			
WIRE RANGE	INSULATION RANGE	PRESS NO			
24-20	.053-.082	565435-5			
REMARKS					
PRE-FEED AMP-O-LECTRIC					

REMARKS	NO	REV
APPL USED ON MACHINE PART NO	MACH SERIAL NO	DISTRIBUTION
CUSTOMER NAME	APPL SERIAL NO	ORIGINAL
ADDRESS	PURCHASE ORDER	CUSTOMER COPY
CITY	ENG APP	FIELD ENG COPY