

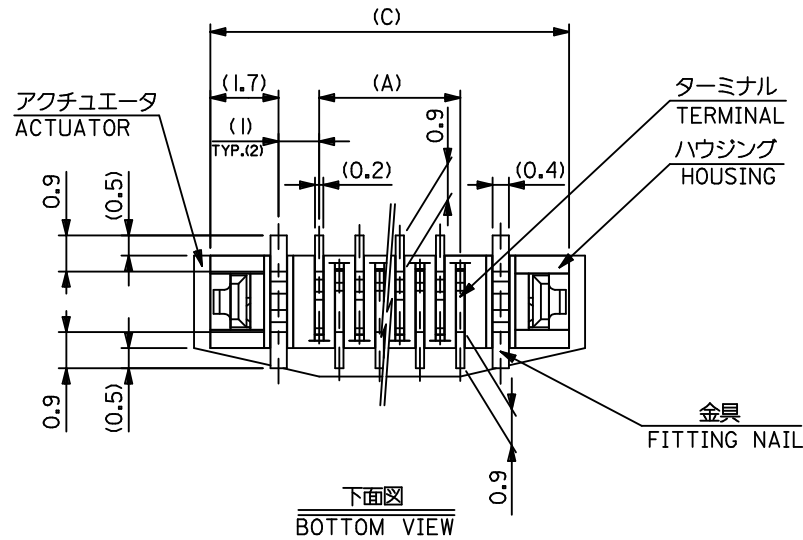
注記 NOTES

- 使用材料 : MATERIAL
 ハウジング : 46NYLON UL94V-0
 アクチュエータ : PPS UL94V-0
 ターミナル : リン青銅、銅下地半田メッキ (t=0.2) PHOS-BRO.TIN-LEAD(9:1) 3~5 MICRON METER OVER COPPER 1~2.5 MICRON METER PLATED
 金具 : リン青銅、銅下地半田メッキ (t=0.4) FITTING NAIL PHOS-BRO.TIN-LEAD(9:1) 3~5 MICRON METER OVER COPPER 1~2.5 MICRON METER PLATED
- エンボステープ梱包時は、アクチュエータがロックした状態とする。
 IN THE PACKAGE, ACTUATOR OF PART NO.52559-***17 SHOULD BE LOCKED.
 △ソルダータール半田付け面のズレ量、及び金具半田付け面のズレ量は、基準面 G に対し上方向 0.05 MAX.、下方向 0.15 MAX.とする。
 MISALIGNMENT OF SOLDER TAILS AND FITTING NAILS FROM UPPER DIRECTION: 0.05 MAX., LOWER DIRECTION: 0.15 MAX.
 △偶数極に適用。
 APPLY FOR EVEN CIRCUIT.
 △パターンはくり止め用金具。
 FITTING NAIL FOR PREVENTION OF PEELING OF P.C.B. PATTERN.
 △R0.3は、FPCの導体部にかからないこと。
 R0.3 MUST NOT BE OVERLAPPED TO PATTERN OF FPC.

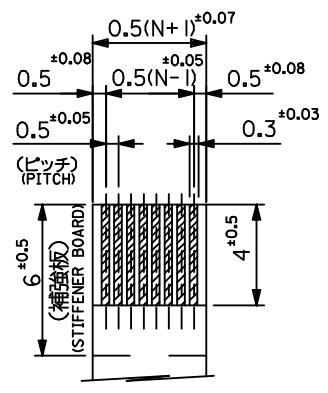
25.7	24.9	20.65	19.5	52559-4092	40
20.7	19.9	15.65	14.5	52559-3092	30
8.7	7.9	3.65	2.5	52559-0692	6

52559-***17				D	C	B	(A)	EMBSSED PACKAGE	極数
CONNECTER SERIES NO.				オーダー番号		ORDER NO.		極数	

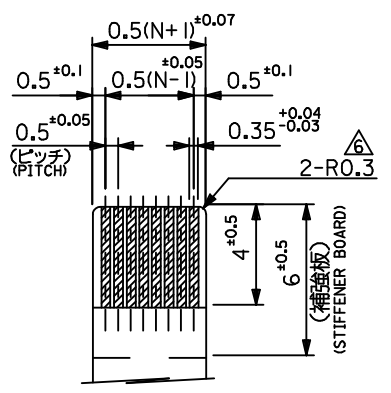
REVISED EC NO.: J2015-1354 DRWN: JASUNUMA 2015/04/10 CH'KD: TAKAHASHI 2015/04/13 APPR: YNOGAWA 2015/04/17	GENERAL TOLERANCES (UNLESS SPECIFIED)		DIMENSION STYLE		SCALE	DESIGN UNITS	THIRD ANGLE PROJECTION		
			MM ONLY		---	METRIC			
	0.25 UNDER	UNDER	±0.03	DRAWN BY	DATE	TITLE			
	0.25 OVER	0.5 UNDER	±0.05	KTOJO	2003/04/17	0.5 FPC CONN ZIF FOR SMT			
	0.5 OVER	1.0 UNDER	±0.1	CHECKED BY	DATE	S/T SHEET 1 OF 2			
1.0 OVER	10 UNDER	±0.2	MSASAO	2003/04/17					
10 OVER	30 UNDER	±0.25	APPROVED BY	DATE					
30 OVER		±0.3	MATERIAL NO.		DOCUMENT NO.		SHEET NO.		
ANGULAR	±3 °		SEE CHART		SD-52559-044		1 OF 2		
DRAFT WHERE APPLICABLE MUST REMAIN WITHIN DIMENSIONS			SIZE	THIS DRAWING CONTAINS INFORMATION THAT IS PROPRIETARY TO MOLEX INCORPORATED AND SHOULD NOT BE USED WITHOUT WRITTEN PERMISSION					
			A3						



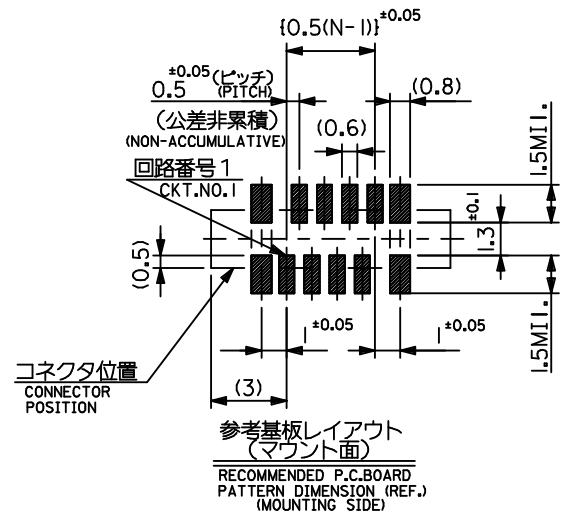
下面図
BOTTOM VIEW



適合FFC推奨寸法
APPLICABLE FFC
RECOMMENDED DIMENSION.
(仕上がり厚さ: 0.3±0.05)
(THICKNESS: 0.3±0.05)

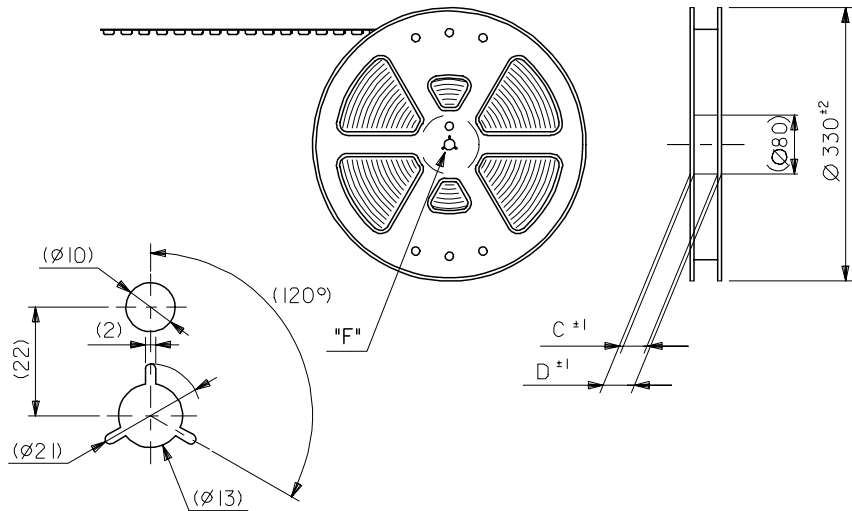


適合FPC推奨寸法
APPLICABLE FPC
RECOMMENDED DIMENSION.
(仕上がり厚さ: 0.3±0.05)
(THICKNESS: 0.3±0.05)



REVISED EC NO.: J2015-1354 DRWN: JASANUMA 2015/04/10 CHKD: TAKAHASHI 2015/04/13 APPR: YNOGAWA 2015/04/17 M	GENERAL TOLERANCES (UNLESS SPECIFIED)		DIMENSION STYLE MM ONLY		SCALE ---	DESIGN UNITS METRIC	THIRD ANGLE PROJECTION		
	0.25 UNDER	UNDER	±0.03	DRAWN BY KTOJO	DATE 2003/04/17	TITLE 0.5 FPC CONN ZIF FOR SMT S/T SHEET 2 OF 2			
	0.25 OVER	0.5 UNDER	±0.05	CHECKED BY MSASAO	DATE 2003/04/17	DOCUMENT NO. molex SD-52559-044 SHEET NO. 2 OF 2			
	0.5 OVER	1.0 UNDER	±0.1	APPROVED BY	DATE				
	1.0 OVER	10 UNDER	±0.2	MATERIAL NO. SEE SHEET 1					
10 OVER	30 UNDER	±0.25	SIZE A3		THIS DRAWING CONTAINS INFORMATION THAT IS PROPRIETARY TO MOLEX INCORPORATED AND SHOULD NOT BE USED WITHOUT WRITTEN PERMISSION				
ANGULAR		±--- °	DRAFT WHERE APPLICABLE MUST REMAIN WITHIN DIMENSIONS						

引き出し方向
PULL OUT
DIRECTION

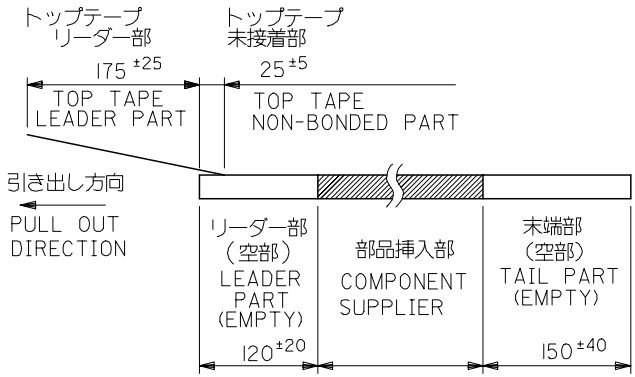


DETAIL "F"

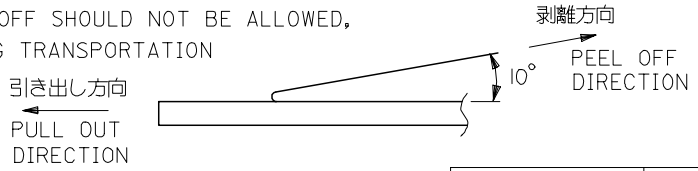
5. 材料
 キャリアテープ: ポリプロピレン (PP)
 トップテープ: PET, PE, PEF
 リール: ポリスチレン (PS) <リサイクル材を含む>
 MATERIAL CARRIER TAPE: POLYPROPYLENE
 TOP TAPE: PET, PE, PEF
 REEL: POLYSTYRENE (PS)
 <RECYCLE MATERIAL CONTAINED>

注記 NOTES

- 製品番号 52559-***17 の梱包状態はアクチュエータがロックした状態とする。
 詳細寸法については図面 SD-52559-***17 を参照下さい。
 IN THE PACKAGE, ACTUATOR OF PART NO. 52559-***17 SHOULD BE LOCKED RE DETAILED DIMENSIONS, SEE SD-52559-***17
- 梱包数量: 1000個/リール
 NUMBER OF CONNECTORS: 1000PCS/REEL
- リードテープ長さ LEAD TAPE LENGTH



- トップテープの剥離強度: (剥離方向は下図参照)
 0.1N ~ 0.7N (10.2gf ~ 71.4gf) 尚、本規格値は、出荷時に適用。
 (但し、輸送時に剥離が発生しない事。)
 PEELING OFF FORCE OF TOP TAPE
 0.1N ~ 0.7N (10.2gf ~ 71.4gf) (PEELING DIRECTION AS SHOWN IN FOLLOWING FIG.)
 THIS REQUIREMENT SHOULD BE APPLIED AT SHIPMENT
 PEEL OFF SHOULD NOT BE ALLOWED,
 DURING TRANSPORTATION



REVISED EC NO: J2006-3700 DRAWN: NABEI 2006/06/16 CHKD: KTOYODA 2006/06/19 APPR: NUKITA 2006/06/22	GENERAL TOLERANCES (UNLESS SPECIFIED)		DIMENSION STYLE MM ONLY	SCALE ---	52559-***90 MODEL NO.	DESIGN UNITS METRIC	THIRD ANGLE PROJECTION
	10 UNDER	± ---	DRAWN BY S. KAJINUMA	DATE '91/11/13	TITLE 0.5 FPC CONN ASSY ZIF SMT ST EMBSTP PKG		
	10 OVER 30 UNDER	± ---	CHECKED BY S. KUNISHI	DATE '00/12/20			
	30 OVER	± ---	APPROVED BY M. FUKUSHIMA	DATE '00/12/20	MOLEX MOLEX INCORPORATED		
ANGULAR	± --- °	MATERIAL NO.	DOCUMENT NO.	SHEET NO.			
DRAFT WHERE APPLICABLE MUST REMAIN WITHIN DIMENSIONS		SIZE A3	SEE CHART		SD-52559-051		1 OF 4
THIS DRAWING CONTAINS INFORMATION THAT IS PROPRIETARY TO MOLEX INCORPORATED AND SHOULD NOT BE USED WITHOUT WRITTEN PERMISSION							

10 9 8 7 6 5 4 3 2 1

F

E

D

C

B

A

F

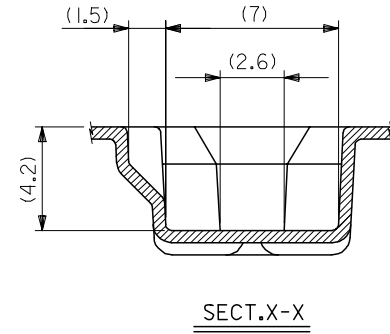
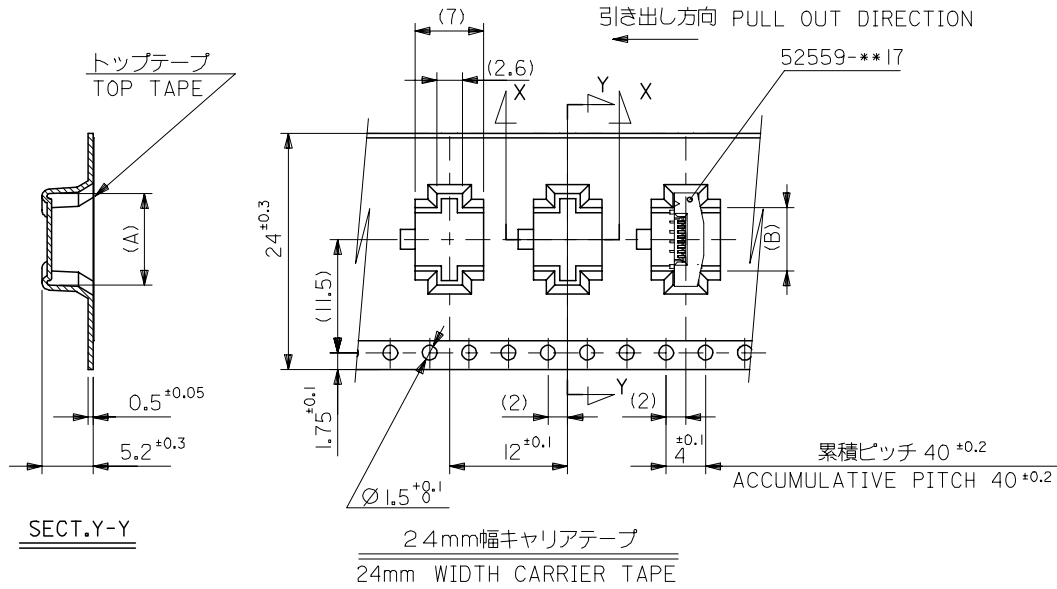
E

D

C

B

A



24	29.4	25.4	13.4	16.3	52559-2290	22
			12.4	15.3	52559-2090	20
			11.9	14.8	52559-1990	19
			11.4	14.3	52559-1890	18
			10.4	13.3	52559-1690	16
			9.9	12.8	52559-1590	15
			9.4	12.3	52559-1490	14
			8.9	11.8	52559-1390	13
			8.4	11.3	52559-1290	12
			7.9	10.8	52559-1190	11
6.4	9.3	52559-0890	8			
5.4	8.3	52559-0690	6			
キャリアテープ幅 CARRIER TAPE WIDTH	D	C	(B)	(A)	MATERIAL NO.	極数 CIRCUIT

REVISED EC NO: J2006-3700 DRWN: NABEI 2006/06/16 CHKD: KTOYODA 2006/06/19 APPR: NUKITA 2006/06/22	GENERAL TOLERANCES (UNLESS SPECIFIED)		DIMENSION STYLE MM ONLY		SCALE ---	DESIGN UNITS METRIC	THIRD ANGLE PROJECTION
	10 UNDER	± ---	DRAWN BY S. KAJINUMA	DATE '91/11/13	TITLE 0.5 FPC CONN ASSY ZIF SMT ST EMBSTP PKG		
	10 OVER 30 UNDER	± ---	CHECKED BY S. KUNISHI	DATE '00/12/20	MOLEX INCORPORATED		
	30 OVER	± ---	APPROVED BY M. FUKUSHIMA	DATE '00/12/20	DOCUMENT NO. SD-52559-051	SHEET NO. 2 OF 4	
	ANGULAR	± --- °	MATERIAL NO. SEE CHART				
DRAFT WHERE APPLICABLE MUST REMAIN WITHIN DIMENSIONS		THIS DRAWING CONTAINS INFORMATION THAT IS PROPRIETARY TO MOLEX INCORPORATED AND SHOULD NOT BE USED WITHOUT WRITTEN PERMISSION					

9

8

7

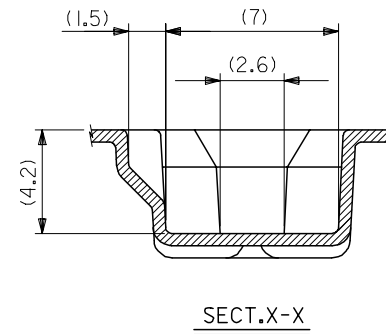
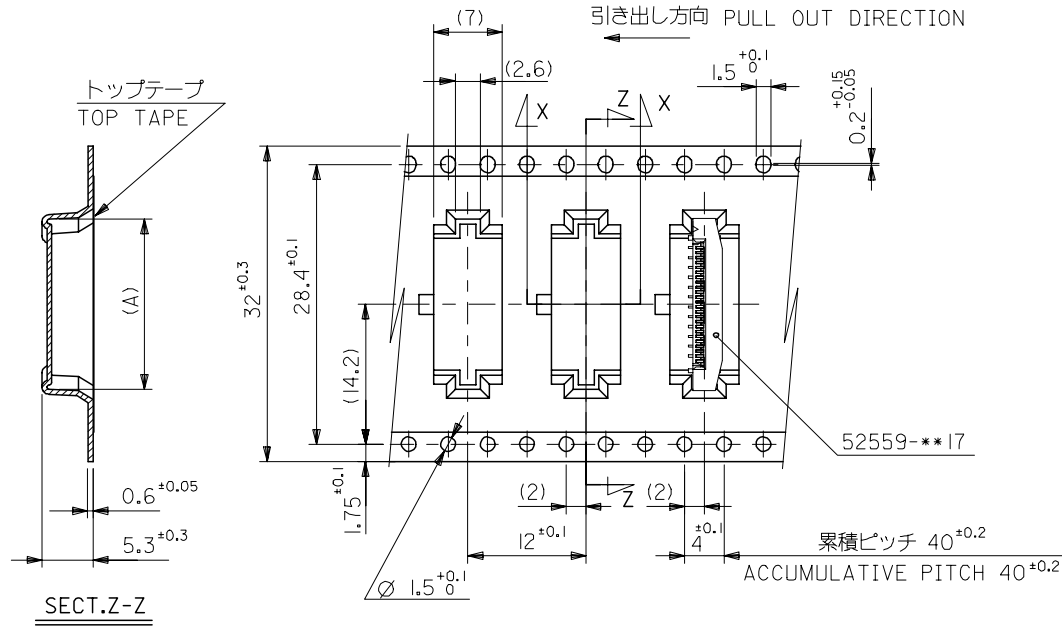
6

5

4

3

2



32mm幅キャリアテープ
32mm WIDTH CARRIER TAPE

32	37.4	33.4	18.9	21.8	52559-3390	33		
			18.4	21.3	52559-3290	32		
			17.4	20.3	52559-3090	30		
			16.4	19.3	52559-2890	28		
			15.4	18.3	52559-2690	26		
			14.9	17.8	52559-2590	25		
14.4	17.3	52559-2490	24					
キャリアテープ幅 CARRIER TAPE WIDTH			D	C	(B)	(A)	MATERIAL NO.	極数 CIRCUIT

REVISED EC NO: J2006-3700 DRWN: NABEI 2006/06/16 CHKD: KTOYODA 2006/06/19 APPR: NUKITA 2006/06/22	GENERAL TOLERANCES (UNLESS SPECIFIED)	
	10 UNDER	± ---
	10 OVER 30 UNDER	± ---
	30 OVER	± ---
	ANGULAR	± --- °
G	DRAFT WHERE APPLICABLE MUST REMAIN WITHIN DIMENSIONS	

DIMENSION STYLE MM ONLY		SCALE ---	DESIGN UNITS METRIC	THIRD ANGLE PROJECTION	
DRAWN BY S. KAJINUMA	DATE '91/11/13	TITLE 0.5 FPC CONN ASSY ZIF SMT ST EMBSTP PKG			
CHECKED BY S. KUNISHI	DATE '00/12/20	MOLEX INCORPORATED			
APPROVED BY M. FUKUSHIMA	DATE '00/12/20	DOCUMENT NO. SD-52559-051		SHEET NO. 3 OF 4	
MATERIAL NO. SEE CHART		THIS DRAWING CONTAINS INFORMATION THAT IS PROPRIETARY TO MOLEX INCORPORATED AND SHOULD NOT BE USED WITHOUT WRITTEN PERMISSION			

10 9 8 7 6 5 4 3 2 1

F

E

D

C

B

A

F

E

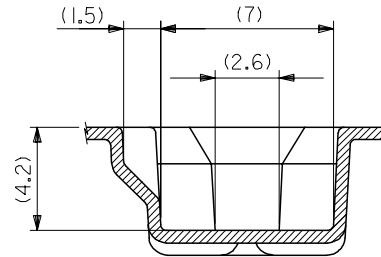
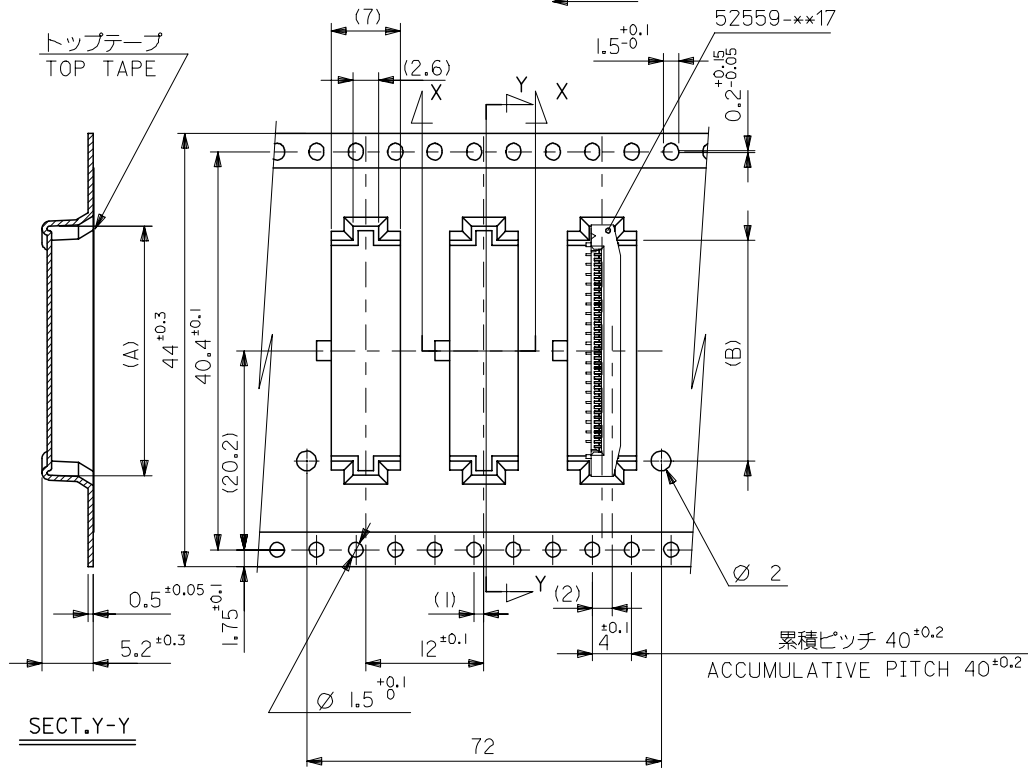
D

C

B

A

引き出し方向 PULL OUT DIRECTION



SECT.X-X

44mm幅キャリアテープ
44mm WIDTH CARRIER TAPE

REVISED	EC NO: J2006-3700	2006/06/16
	DRWN: NABE	2006/06/19
	CHKD: TOYODA	2006/06/22
	APPR: NUKITA	
G	REV	DESCRIPTION

GENERAL TOLERANCES (UNLESS SPECIFIED)

10 UNDER	± ---
10 OVER 30 UNDER	± ---
30 OVER	± ---
ANGULAR	± --- °

DRAFT WHERE APPLICABLE MUST REMAIN WITHIN DIMENSIONS

44	49.4	45.4	22.4	25.3	52559-4090	40	
			20.4	23.3	52559-3690	36	
キャリアテープ幅 CARRIER TAPE WIDTH			D	C	(B)	(A)	
					MATERIAL NO.	CIRCUIT NO.	
DIMENSION STYLE MM ONLY			SCALE ---	DESIGN UNITS METRIC			THIRD ANGLE PROJECTION
DRAWN BY S. KAJINUMA		DATE '91/11/13	TITLE 0.5 FPC CONN ASSY ZIF SMT ST EMBSTP PKG				
CHECKED BY S. KUNISHI		DATE '00/12/20	APPROVED BY M. FUKUSHIMA				
APPROVED BY M. FUKUSHIMA		DATE '00/12/20	MOLEX INCORPORATED				
MATERIAL NO. SEE CHART			DOCUMENT NO. SD-52559-051			SHEET NO. 4 OF 4	
SIZE A3 THIS DRAWING CONTAINS INFORMATION THAT IS PROPRIETARY TO MOLEX INCORPORATED AND SHOULD NOT BE USED WITHOUT WRITTEN PERMISSION							