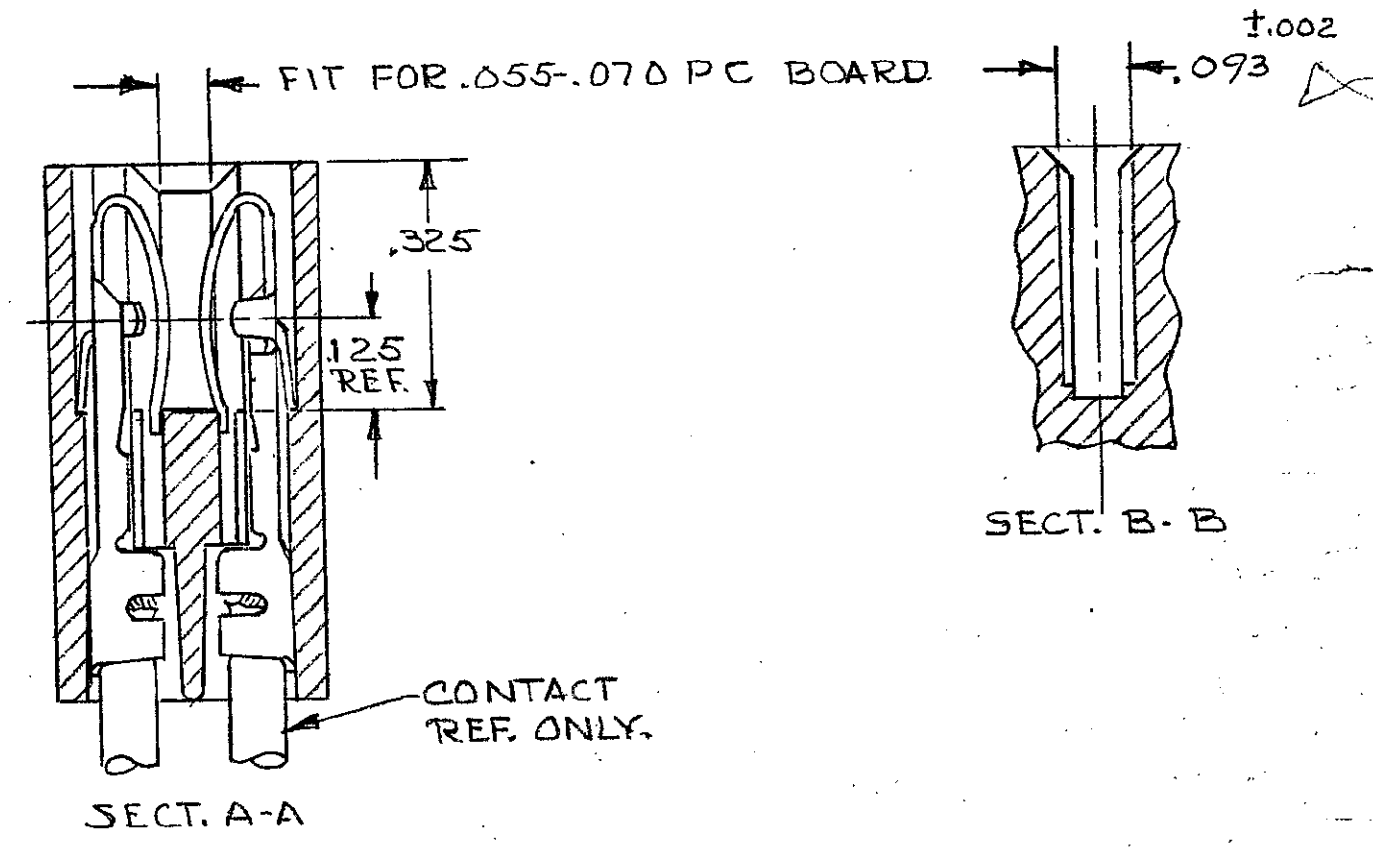
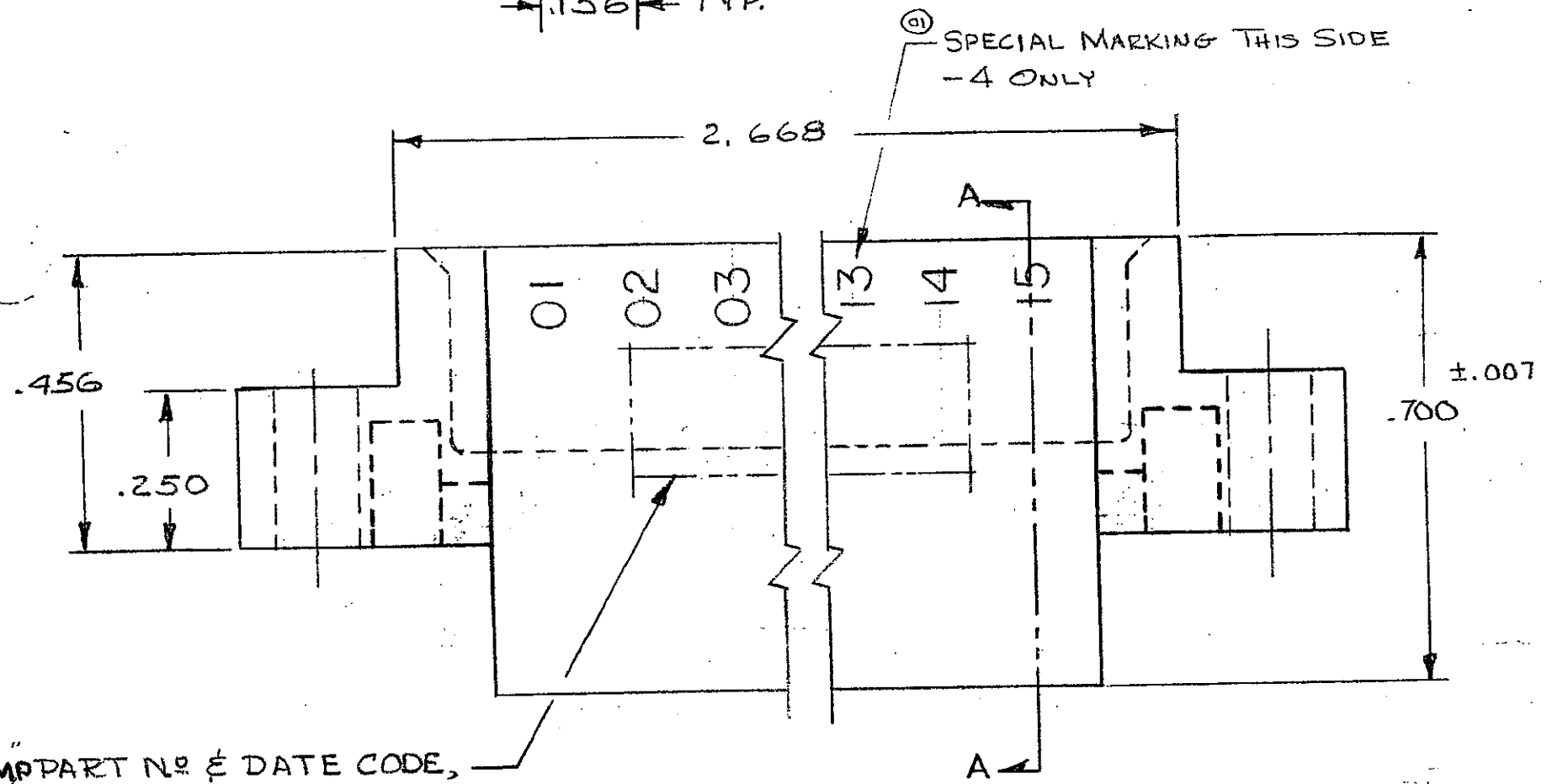
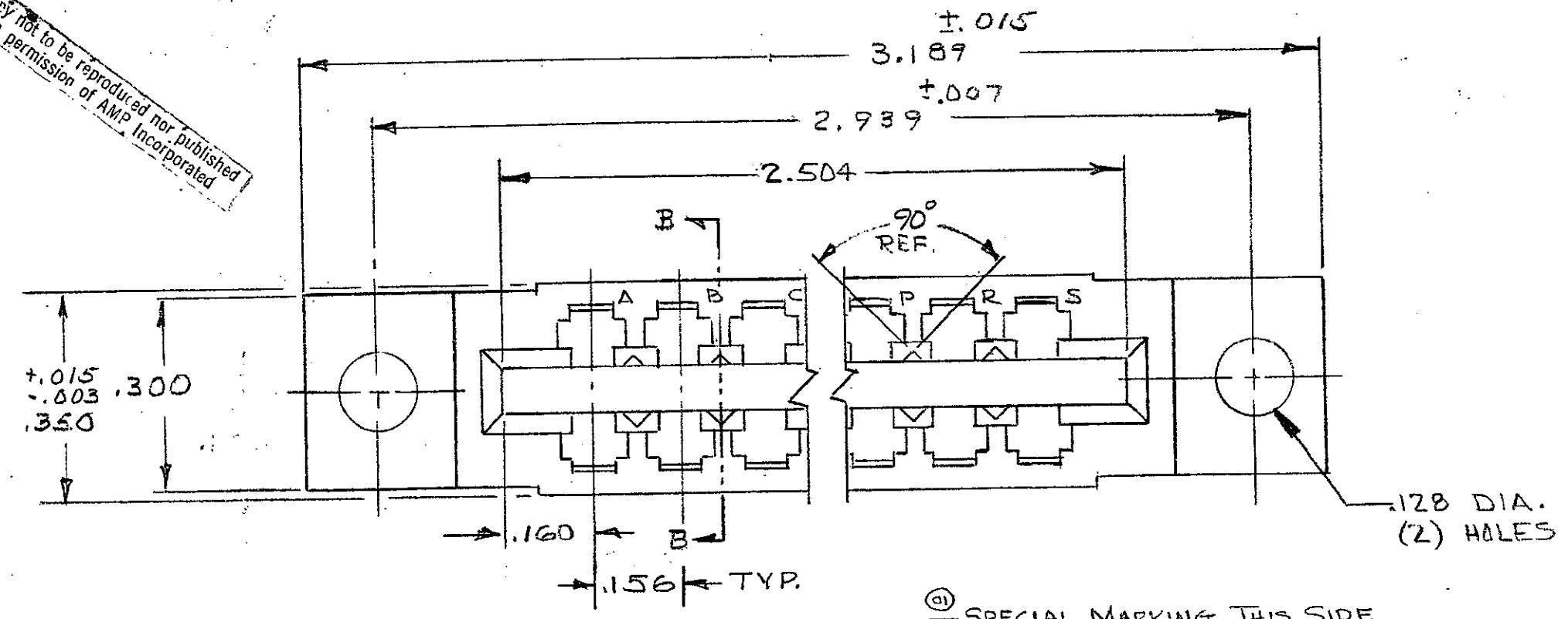


© 1970 BY AMP INCORPORATED. ALL RIGHTS RESERVED. AMP PRODUCTS COVERED BY PATENTS AND/OR PATENTS PENDING.

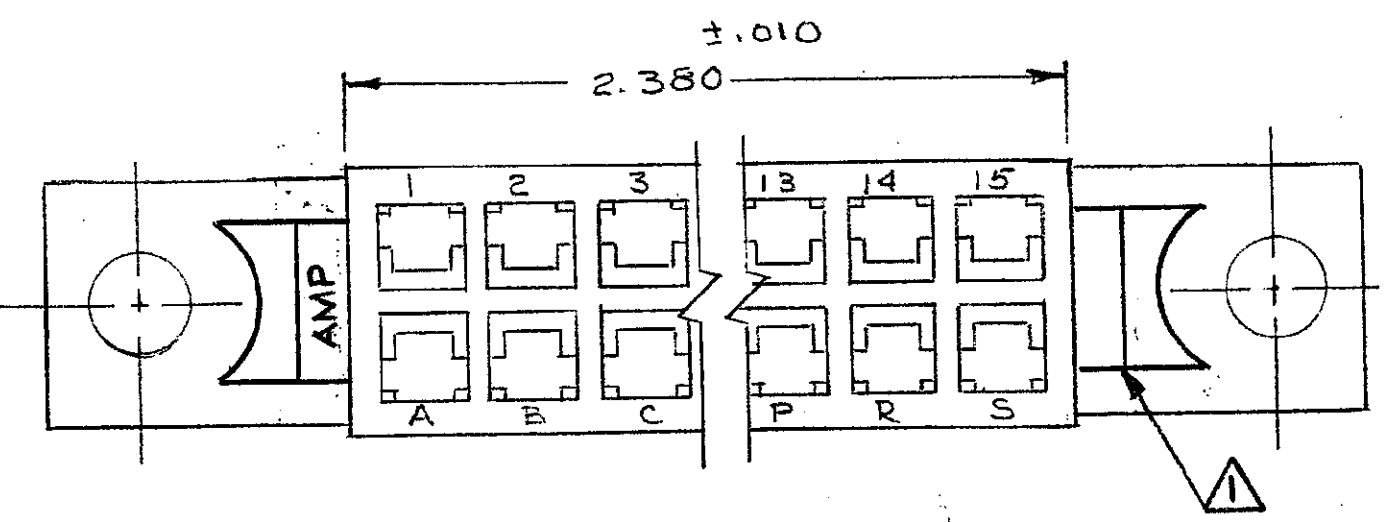
583680-1: 1 AS SHOWN

OBSOLETE ~~583680-1: 1 SPECIAL MARKING~~

REVISIONS				
ZONE	LTR	DESCRIPTION	DATE	APPROVED
	0	RELEASED WAS 5112-236-1 CUST.	JW 12-30-70	D.H.
	a1	ADDED - 4 $\pm$ SPECIAL MKG (-4 WAS 5112-280)	DRF 11-10-71	D.H.
	A	REVISED MAT'L 4657	DR 1-9-76	DR M.S.
	B	REV PER ADO702	5/13/85	CP / [Signature]
	C	REV PER AD2118	3/88	LEW
	D	REV PER AD 3180	1/89	W / [Signature]
	E	REV PER 0010-0337-95	10-17-95	P.B. /
	F	REV PER EC 0320-349-97	25 NOV 97	NS



HOT STAMP PART NO & DATE CODE, IN THIS AREA, PER 115-9009.



⚠ VOID CORING PERMISSIBLE AT AMP'S OPTION REF ONLY

UNLESS OTHERWISE SPECIFIED, DIMENSIONS ARE IN INCHES TOLERANCES ON: DECIMALS $\pm$ .005 ANGLES $\pm$	CONTRACT NO.		AMP INCORPORATED HARRISBURG, PENNSYLVANIA	
	DR	<i>Runkle</i> 2-10-70		
MATERIAL GLASS FILLED NYLON OR POLYESTER COLOR: BLACK	CHK	<i>D.S. Heide</i> 1-5-71	NAME HOUSING, AMP LEAF, 15 DUAL.	
	APPD	<i>J Kaufman</i> 1-6-71	SIZE	CODE IDENT NO.
	REL	<i>John [Signature]</i> 1-6-71	C	00779
	DSGN APPD		NUMBER	583680
	OTHER APPD		SCALE	4-1
			SHEET	1 of 1

CUSTOMER DRAWING

This drawing is not to be reproduced or published without written permission of AMP Incorporated

Loc  
E  
22

NUMBER 583680