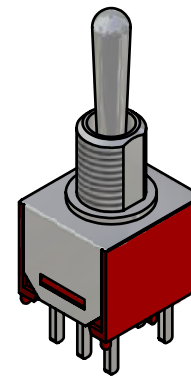
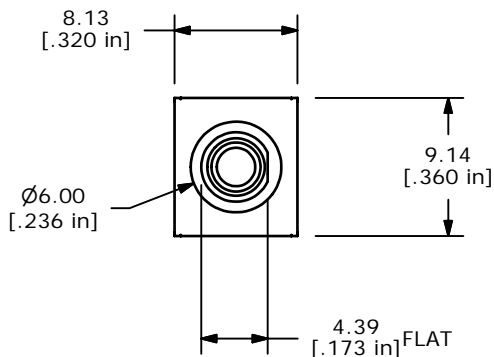
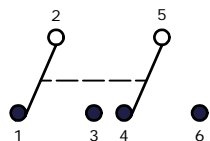


P.C. MOUNTING



ISOMETRIC

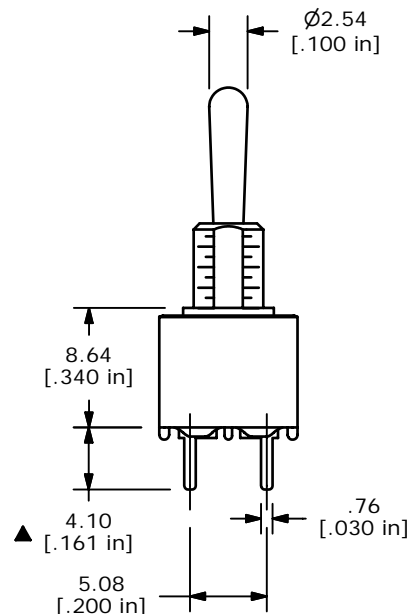
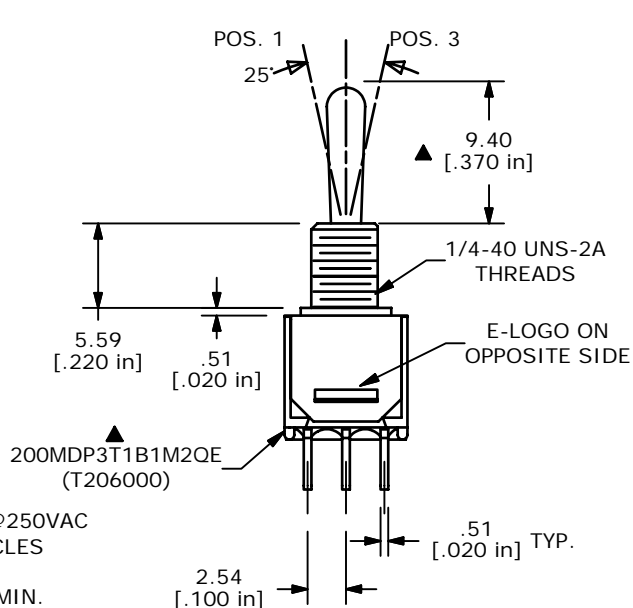
SWITCH FUNCTION		
POS. 1	POS. 2	POS. 3
ON	OFF	ON
2-3, 5-6	OPEN	2-1, 5-4



CIRCUIT: DPDT

NOTE:

1. ALL DIMENSIONS IN MM [INCH]
2. GENERAL TOLERANCE: X.X=±0.4  
X.XX=±0.25
3. TERMINAL NUMBERS FOR REF ONLY
- ▲ 4. PLATING MATERIAL: SILVER
5. RATING: 3AMPS @120VAC OR 28VDC, 1AMP @250VAC
6. ELECTRIC LIFE: 30,000 MAKE-AND-BREAK CYCLES AT FULL LOAD.
7. INSULATION RESISTANCE: 1,000 MEGA-OHM MIN.
8. DIELECTRIC STRENGTH: 1,000 V RMS @SEA LEVEL.
9. OPERATING TEMP.: -30°C to 85°C
- ▲ 10. HARDWARE TO BE SHIPPED BULK  
 T200001 - HEXNUT - QTY 2  
 T200000 - LOCKWASHER - QTY 1  
 T200002 - LOCKRING - QTY 1
11. ▲ DENOTES CRITICAL PARAMETER.
12. 2002/95/EC (ROHS) COMPLIANT



B	15613	CHANGE HEX NUT, ADD ROHS NOTE	12/16/05	PH
A	14980	RELEASED FOR PRODUCTION	6/6/05	JB
REV	PCR NO	DESCRIPTION	DATE	BY

TITLE 200MDP3T1B1M2QEH				
SCALE 2:1	DATE 6/6/2005	DR JB	DWG ST206000	REV B

THE INFORMATION CONTAINED IN THIS DOCUMENT IS PROPRIETARY TO E-SWITCH AND IS NOT TO BE COPIED OR TRANSFERRED