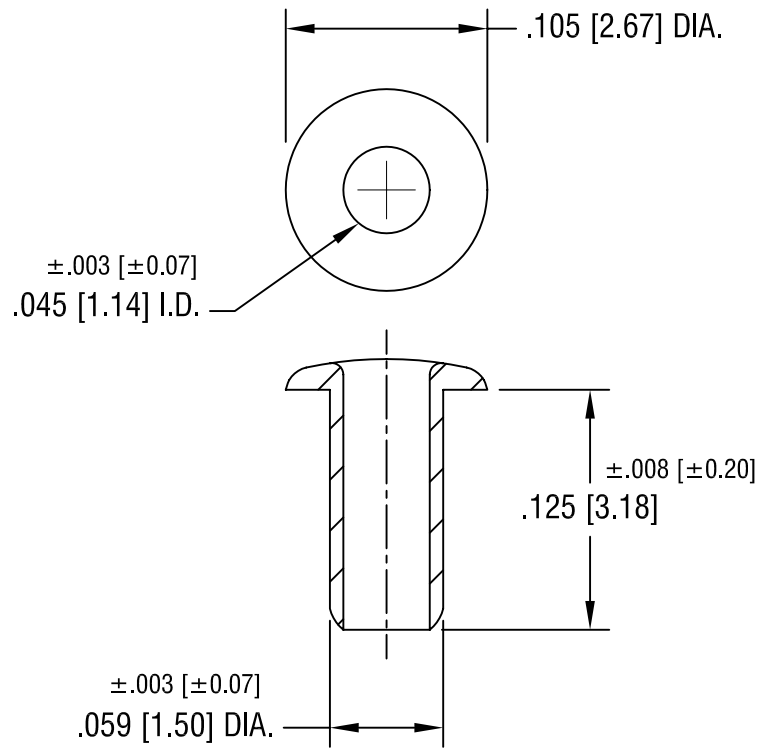


THIS DOCUMENT IS THE PROPERTY OF
KEYSTONE ELECTRONICS CORP. AND
SHALL NOT BE REPRODUCED, DISTRIBUTED
OR USED AS A BASIS FOR MANUFACTURE
WITHOUT PRIOR WRITTEN PERMISSION
FROM KEYSTONE ELECTRONICS CORP.



KEYSTONE ELECTRONICS CORP.			
ASTORIA, N.Y. 11105-2017			
PART NAME		WIDE ROLL EYELET	
MATERIAL		.007 [0.17] TH'K BRASS	
FINISH		DRN BY	DATE
TIN PLATE		BOONE	6.2.82
		APPD	SCALE
		LN	10X
TOLERANCES	INCH	[MM]	CODE
DECIMAL	$\pm .005$	[± 0.15]	C/M
ANGULAR	$\pm 1^\circ$		
UNLESS OTHERWISE SPECIFIED			
DWG NO.		24	

7.13.01	CHANGE AS PER ECN 01-049	A	
DATE	DESCRIPTION	REV.	