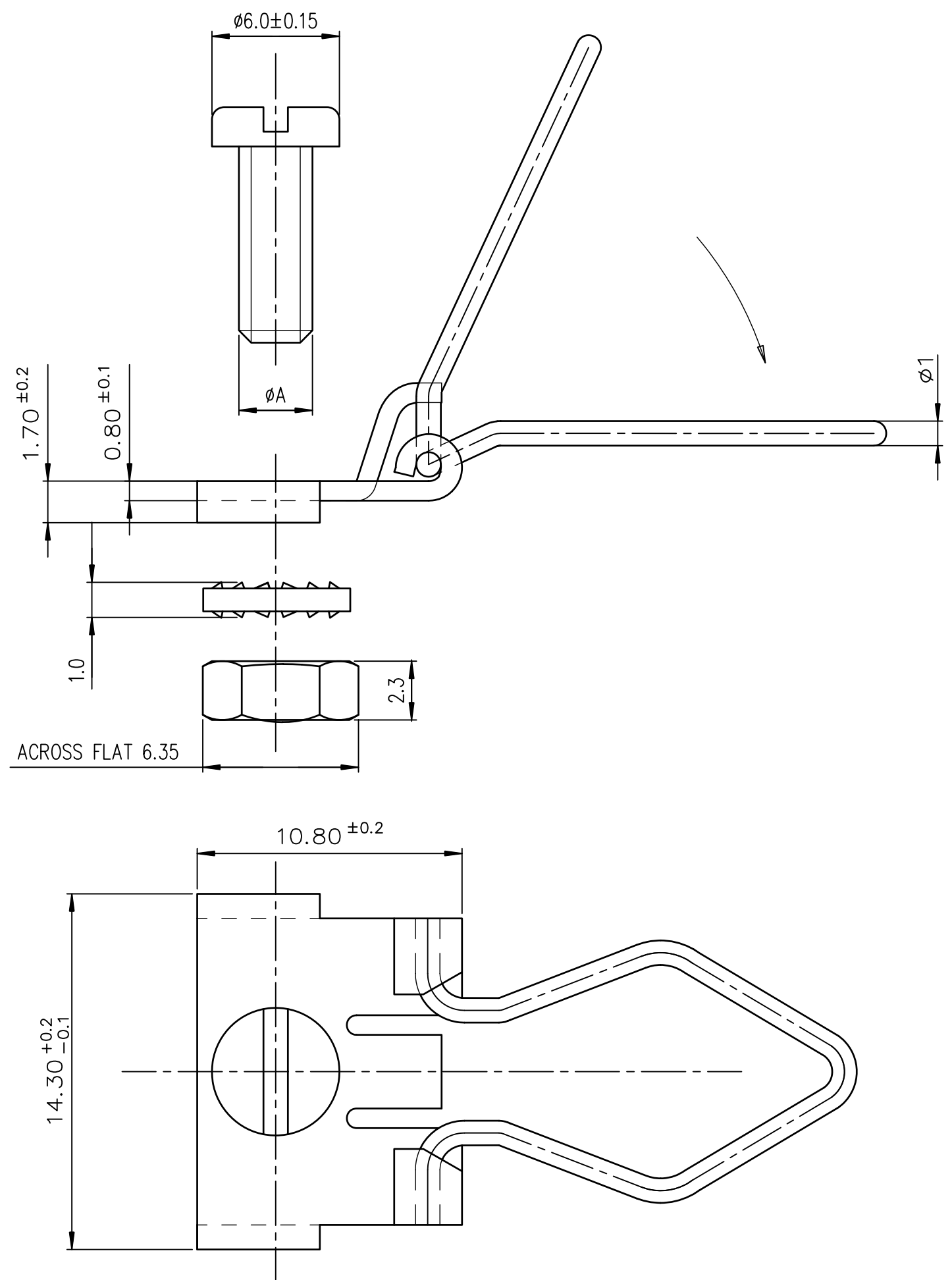




Copyright FCI

form: A3



MATERIAL AND FINISH

- BRACKET: stainless steel, passivated
- SCREW: steel, passivated zinc
- NUT: steel, passivated zinc
- LOCK WASHER: steel, passivated zinc
- LOCK SPRING: stainless steel, passivated

86552100LF	M 3	per 2
86552098LF	UNC 4.40	per 100
PART NUMBER	Ø A	PACKAGING

NOTE1:RoHS INFORMATIONS

- The "LF" product meets European union Directives and other country regulations as described in GS-47-0004.
- The product is not intended to be exposed to a manufacturing solder process.
- Plating: Zinc Cr3+, white color.
- Packaging spec: see GS-14-920.

mat'l. code		surface		tolerance		projection		product family	
SEE NOTES		ISO 1302 ✓		ISO 406 ISO 1101				D-SUB	
		tolerances unless otherwise specified				MM		title	
ltr	ecn no	dr	date	angles	linear			LEVER LOCKS MALE	
A	LS05-0123	LGO	2006/01/12					SHELL 9-15-25-37	
B	LS06-0095	LGO	2006/06/23						
C	I09-0146	MRA	2009/07/21	2'		scale 5			
D	I11-0022	AMR	2011/01/25	dr	GOISNARD	2006/01/12		dwg no	
E	I11-0153	AMR	2011/08/24	enr	MITHUN PAUL	2013/07/11		sheet 1 of 1	
F	ELX-I-15214	MP	2013/07/11	chr	MITHUN PAUL	2013/07/11		size 5	
-	-	-	-	appd	BIJU K PAUL	2013/07/11		A3	
sheet index		revision sheet		F 1				type	
								Product Customer Drawing	