

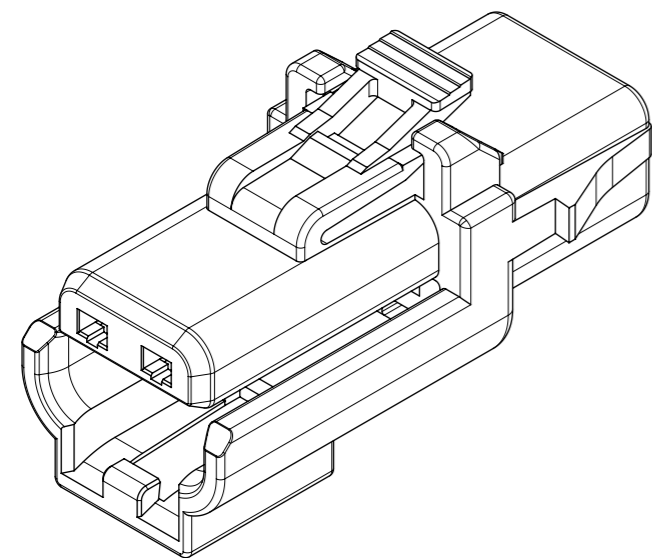
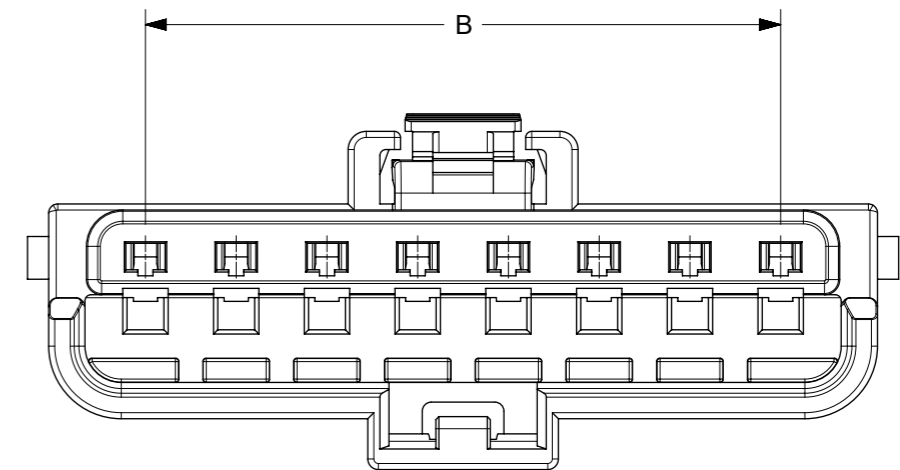
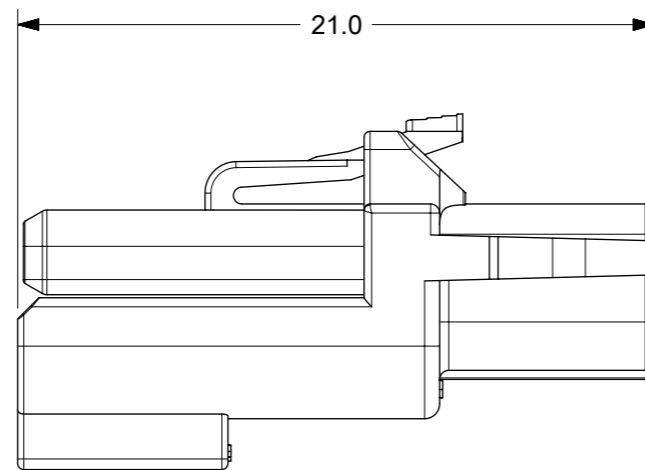
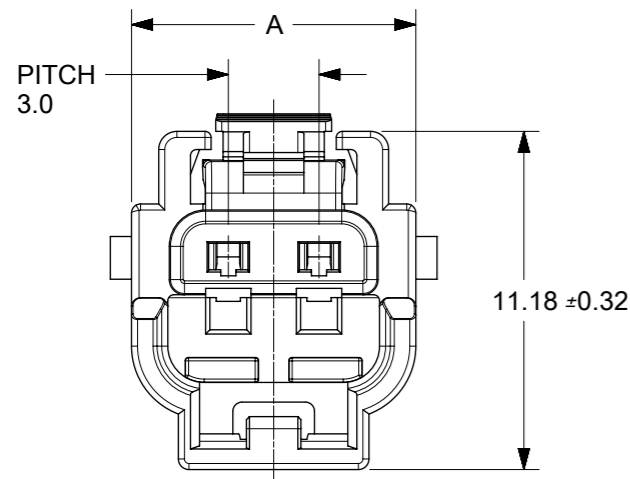
NOTES:

1. MATERIAL:

PA6, UL 94V-2

COLOR: NATURAL(WHITE)

- 2. USE CRIMP TERMINAL SERIES 150185, 150197 & 150200
- 3. PART MATES WITH IDENTICAL HOUSING (SERIES 150201)
- 4. PRODUCT SPECIFICATION PS-150197-0000
- 5. PACKAGING SPECIFICATION PK-150170-0000
- 6. COSMETIC SPECIFICATION: PS-45499-002 CLASS B



PART NUMBER	CIRCUIT SIZE	A ±0.35	B
1502010002	2	9.3	3.0
1502010003	3	12.3	6.0
1502010004	4	15.3	9.0
1502010005	5	18.3	12.0
1502010006	6	21.3	15.0
1502010007	7	24.3	18.0
1502010008	8	27.3	21.0

THIS DRAWING CONTAINS INFORMATION THAT IS PROPRIETARY TO MOLEX ELECTRONIC TECHNOLOGIES, LLC AND SHOULD NOT BE USED WITHOUT WRITTEN PERMISSION

RE-MASTERED IN ECTR	2016/02/18	GENERAL TOLERANCES (UNLESS SPECIFIED)	DIMENSION UNITS	SCALE	molex		
	2016/02/28		MM	4:1			
	2016/02/28		ANGULAR TOL ± °	DRWN BY		DATE	
	EC NO: 102995		4 PLACES ±	NCSR		2014/08/05	
	DRWN: VLM		3 PLACES ±	CHK'D BY		DATE	
CHK'D: NCSR	2 PLACES ± 0.25	NCSR	2014/12/16	SALES DRAWING GENDERLESS HSG PL GW DITTO INTERCONNECTS			
APP: KPRASAD	1 PLACE ± 0.3	APPR BY	DATE	PRODUCT CUSTOMER DRAWING			
	0 PLACES ±	KPRASAD	2015/04/14	SERIES	MATERIAL NUMBER	CUSTOMER	
	DRAFT WHERE APPLICABLE MUST REMAIN WITHIN DIMENSIONS	DRAWING SIZE	THIRD ANGLE PROJECTION	150201	SEE TABLE	GENERAL MARKET	
A1		A3		DOCUMENT NUMBER	DOC TYPE	DOC PART	SHEET NUMBER
				SD-150201-0000	PSD	000	1 OF 1