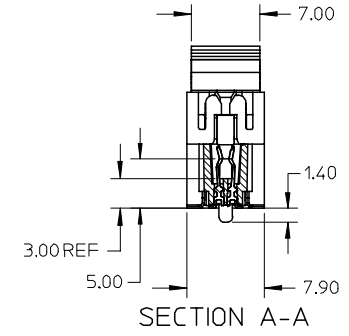
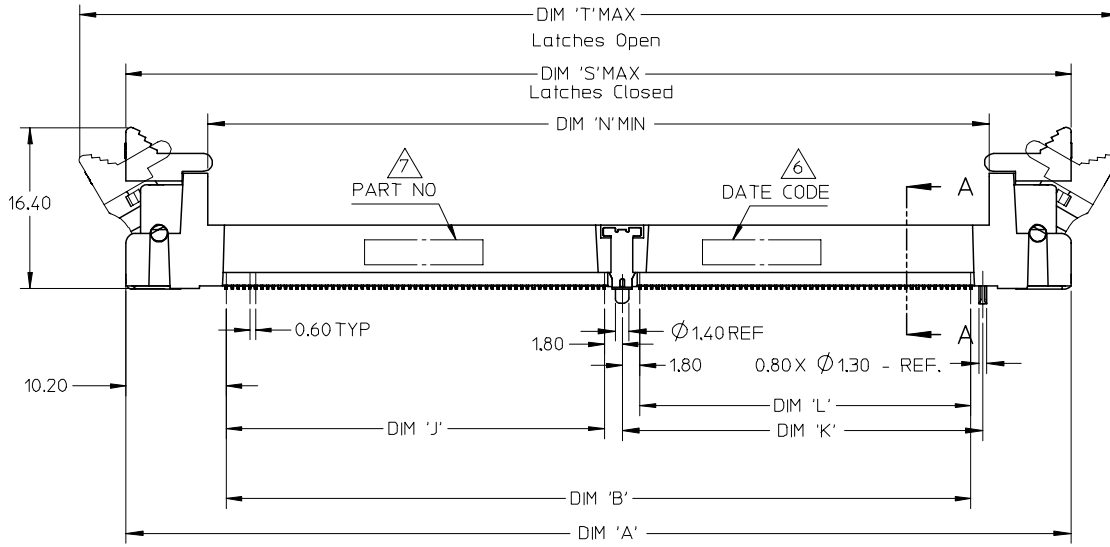
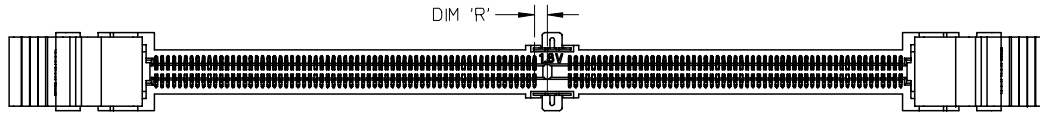


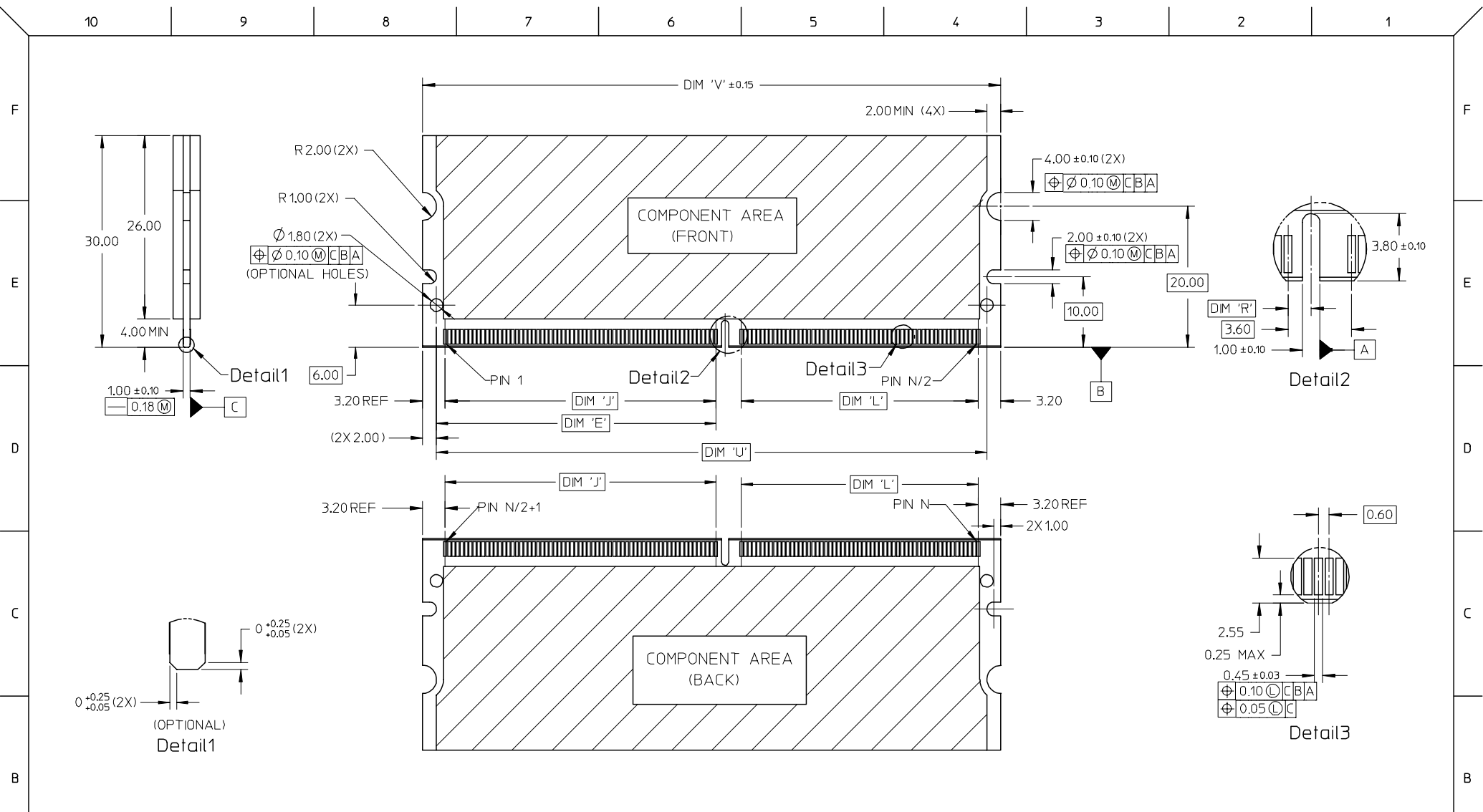
10 9 8 7 6 5 4 3 2 1

- NOTES :
- MATERIAL :
HOUSING : LIQUID CRYSTAL POLYMER, GLASS FILLED, UL 94V-0, COLOUR : BLACK
CONTACTS : COPPER ALLOY
LATCHES : HIGH TEMPERATURE NYLON, UL 94V-0 COLOUR : NATURAL (OFF-WHITE)
 - FINISH
CONTACT AREA : 0.76 MICROMETER (30 MICROINCH) MIN GOLD OVER
1.25 MICROMETER (50 MICROINCH) MIN NICKEL
SMT TAIL : 2.54 MICROMETER (100 MICROINCH) MIN TIN OVER
1.25 MICROMETER (50 MICROINCH) MIN NICKEL.
 - ACCEPTS 1.0 mm THICK MEMORY MODULE PER JEDEC MO-244 FOR 244 CKTS AND MO-258 FOR 200 CKTS.
 - PRODUCT SPECIFICATION : PS-87782-027
 - PRODUCT SHALL BE PACKED IN TRAY. PLS REFER TO SHEET 5
 - DATE CODE SHALL BE MARKED LEGIBLY AS SHOWN : YYDD
 - PART NUMBER SHALL BE MARKED LEGIBLY AS SHOWN. 87782-XXXX (REFER TO TABLE)

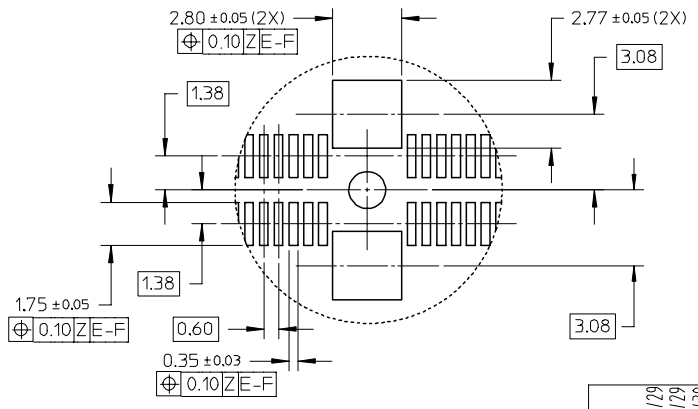
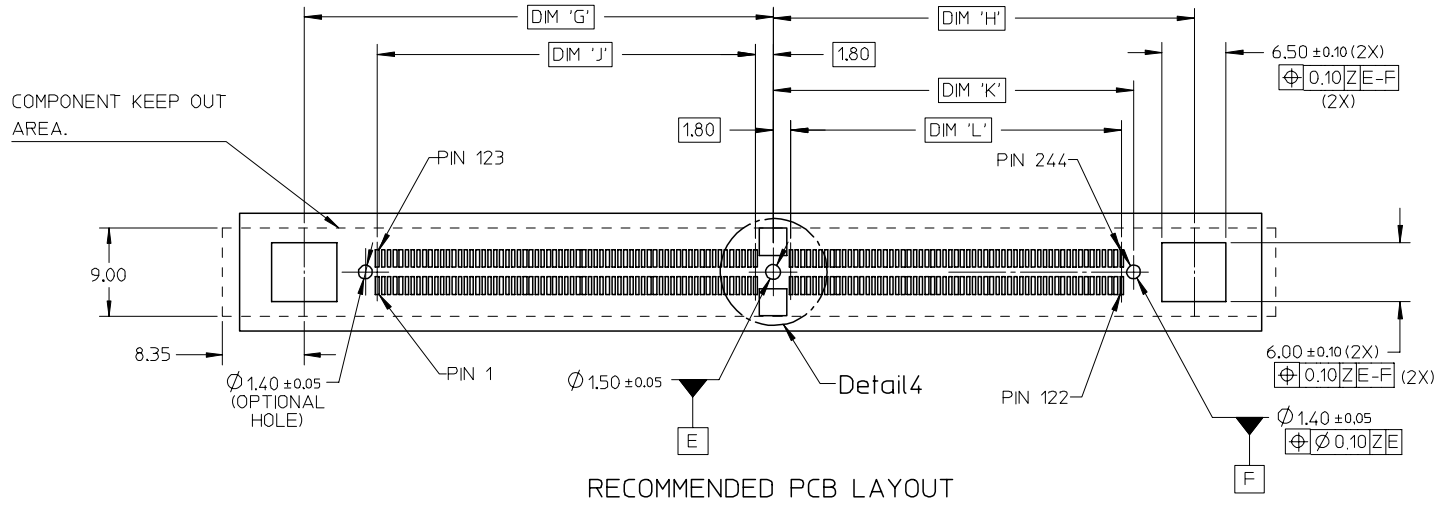


REVISE DESIGN EC NO: S2008-0403 DRWN: TYANG01 CHKD: CGTAN APPR: SILENI	2007/11/29 2007/11/29 2007/11/30	QUALITY SYMBOLS ▽=0 ▽=0	GENERAL TOLERANCES (UNLESS SPECIFIED)		DIMENSION STYLE	SCALE	DESIGN UNITS	THIRD ANGLE PROJECTION		
					MM ONLY	NTS	METRIC			
					mm	INCH				
			4 PLACES	± ---	± ---		DRAWN BY	DATE	TITLE	
3 PLACES	± ---	± ---		MLONG	2003/01/07	MINI DIMM, 0.60MM PITCH				
2 PLACES	± 0.13	± ---		CHECKED BY	DATE	200/244 CKTS, VERTICAL				
1 PLACE	± 0.25	± ---		PTL IM	2003/07/16					
			ANGULAR	± 1 °	APPROVED BY	DATE	MOLEX INCORPORATED			
			DRAFT WHERE APPLICABLE MUST REMAIN WITHIN DIMENSIONS		SKTOH	2003/07/17	SD-87782-001			
					MATERIAL NO.	DOCUMENT NO.	SHEET NO.			
					SIZE	SEE TABLE		1 OF 5		
					THIS DRAWING CONTAINS INFORMATION THAT IS PROPRIETARY TO MOLEX INCORPORATED AND SHOULD NOT BE USED WITHOUT WRITTEN PERMISSION					

9 8 7 6 5 4 3 2 1



REVISE DESIGN EC NO: S2008-0403 DRWN: TYANG01 2007/11/29 CHKD: CGTAN 2007/11/29 APPR: SILENI 2007/11/30	QUALITY SYMBOLS ▽=0 ▽=0	GENERAL TOLERANCES (UNLESS SPECIFIED)		DIMENSION STYLE MM ONLY		SCALE NTS	DESIGN UNITS METRIC	THIRD ANGLE PROJECTION		
		4 PLACES	± ---	± ---	DRAWN BY	DATE	TITLE MINI DIMM, 0.60MM PITCH 200/244 CKTS, VERTICAL			
		3 PLACES	± ---	± ---	CHECKED BY	DATE	MOLEX INCORPORATED			
		2 PLACES	± 0.13	± ---	PTL IM	2003/07/16	DOCUMENT NO. SD-87782-001			
1 PLACE	± 0.25	± ---	APPROVED BY	DATE	SEE TABLE		SHEET NO. 2 OF 5			
ANGULAR ± 1 °		DRAFT WHERE APPLICABLE MUST REMAIN WITHIN DIMENSIONS		MATERIAL NO. SKTOH 2003/07/17		THIS DRAWING CONTAINS INFORMATION THAT IS PROPRIETARY TO MOLEX INCORPORATED AND SHOULD NOT BE USED WITHOUT WRITTEN PERMISSION				

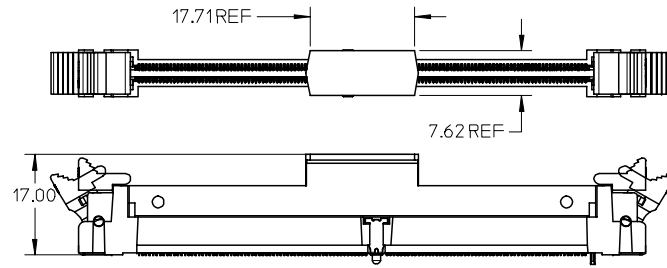


Detail 4

REVISE DESIGN EC NO: S2008-0403 DRWN: TYANG01 2007/11/29 CHKD: CGTAN 2007/11/29 APPR: SILENI 2007/11/30	QUALITY SYMBOLS ▽=0 ▽C=0	GENERAL TOLERANCES (UNLESS SPECIFIED)		DIMENSION STYLE MM ONLY		SCALE NTS	DESIGN UNITS METRIC	THIRD ANGLE PROJECTION	
		mm	INCH	DRAWN BY	DATE	TITLE	MINI DIMM, 0.60MM PITCH 200/244 CKTS, VERTICAL		
	4 PLACES	± ---	± ---	MLONG	2003/01/07				
	3 PLACES	± ---	± ---	CHECKED BY	DATE				
2 PLACES	± 0.13	± ---	PTL IM	2003/07/16					
1 PLACE	± 0.25	± ---	APPROVED BY	DATE					
	ANGULAR ± 1 °		SKTOH	2003/07/17	MOLEX INCORPORATED				
	DRAFT WHERE APPLICABLE MUST REMAIN WITHIN DIMENSIONS		SEE TABLE		SD-87782-001		SHEET NO. 3 OF 5		

10 9 8 7 6 5 4 3 2 1

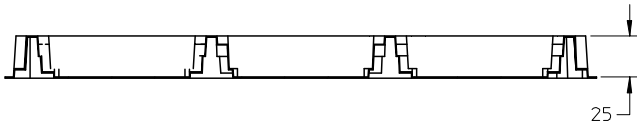
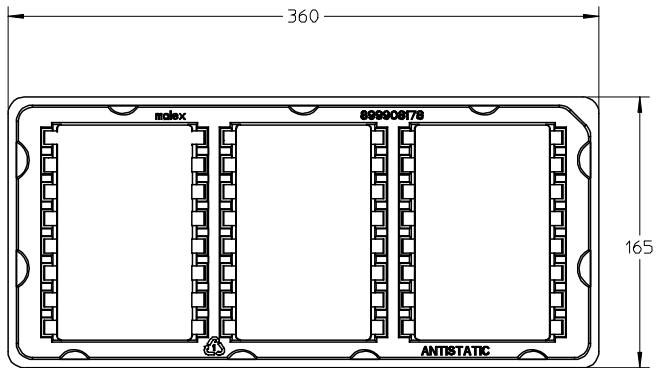
FOR OPTIONS WITH COVER



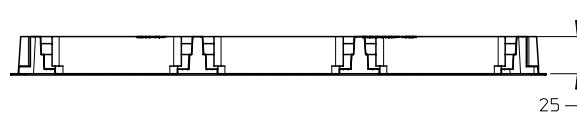
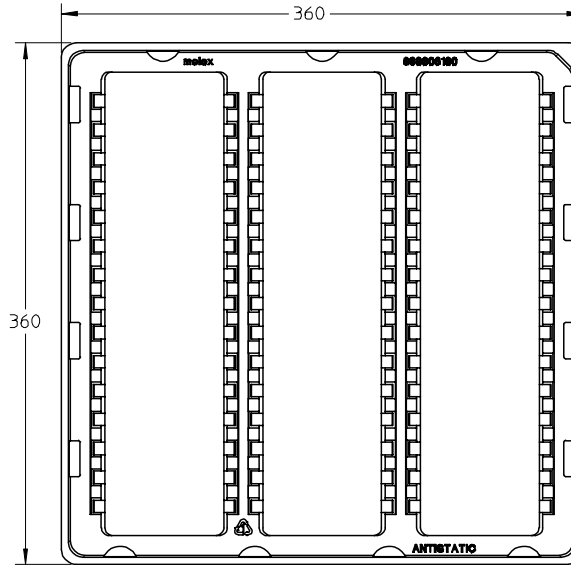
CKT SIZE 'N'	PART NUMBER	VOLTAGE KEY	DIM 'R'	DIM 'J'	DIM 'K'	DIM 'L'	DIM 'N'	DIM 'A'	DIM 'S'	DIM 'T'	DIM 'E'	DIM 'U'	DIM 'V'	DIM 'G'	DIM 'H'	DIM 'B'	COVER	TRAY
244	87782-2001	1.8 V	1.30	38.40	36.60	33.60	79.00	96.00	96.00	106.20	39.60	78.00	82.00	47.60	42.75	75.60	NIL	TYPE A
	87782-2002	2.5 V	2.30															
244	87782-2003	1.8 V	1.30	38.40	36.60	33.60	79.00	96.00	96.00	106.20	39.60	78.00	82.00	47.60	42.75	75.60	YES	TYPE B
	87782-2004	2.5 V	2.30															
244	87782-2005	1.8 V	1.30	38.40	36.60	33.60	79.00	96.00	96.00	106.20	39.60	78.00	82.00	47.60	42.75	75.60	YES	TYPE A
	87782-2006	2.5 V	2.30															
244	87782-2007	1.8 V	1.30	38.40	36.60	33.60	79.00	96.00	96.00	106.20	39.60	78.00	82.00	47.60	42.75	75.60	YES	TYPE C
	87782-2008	2.5 V	2.30															
244	87782-2009	1.8 V	1.30	38.40	36.60	33.60	79.00	96.00	96.00	106.20	39.60	78.00	82.00	47.60	42.75	75.60	YES	TYPE D
	87782-2010	2.5 V	2.30															
200	87782-2201	1.8 V	1.30	23.40	38.40	35.40	65.80	82.80	82.80	93.00	24.60	64.80	68.80	32.60	44.55	62.40	NIL	TYPE A
	87782-2202	2.5 V	2.30															
200	87782-2203	1.8 V	1.30	23.40	38.40	35.40	65.80	82.80	82.80	93.00	24.60	64.80	68.80	32.60	44.55	62.40	YES	TYPE A
	87782-2204	2.5 V	2.30															

REVISE DESIGN EC NO: S2008-0403 DRWN: TYANG01 2007/11/29 CHKD: CGTAN 2007/11/29 APPR: SHLENI 2007/11/30	QUALITY SYMBOLS ▽=0 ▽=0	GENERAL TOLERANCES (UNLESS SPECIFIED)		DIMENSION STYLE MM ONLY		SCALE NTS	DESIGN UNITS METRIC	THIRD ANGLE PROJECTION			
		4 PLACES ± --- ± --- 3 PLACES ± --- ± --- 2 PLACES ± 0.13 ± --- 1 PLACE ± 0.25 ± ---		INCH ± --- ± --- ± --- ± --- ± --- ± ---		DRAWN BY DATE MLONG 2003/01/07		TITLE MINI DIMM, 0.60MM PITCH 200/244 CKTS, VERTICAL			
		ANGULAR ± 1 °		APPROVED BY DATE PTL IM 2003/07/16		APPROVED BY DATE SKTOH 2003/07/17		MOLEX INCORPORATED			
		DRAFT WHERE APPLICABLE MUST REMAIN WITHIN DIMENSIONS		SEE TABLE		MATERIAL NO. DOCUMENT NO. SD-87782-001		SHEET NO. 4 OF 5			

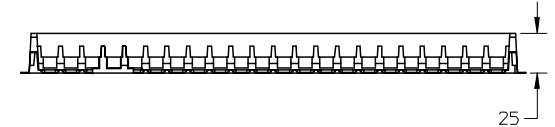
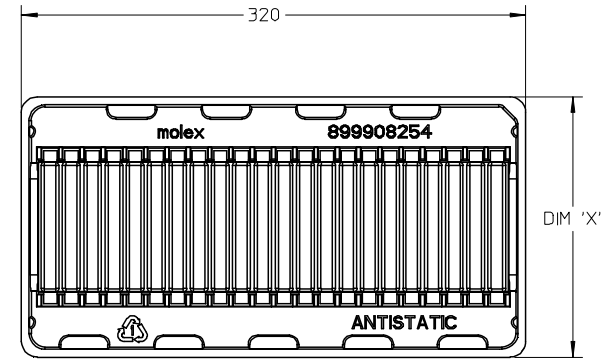
9 8 7 6 5 4 3 2 1



TRAY TYPE A
QTY OF CAVITY: 3 X 8 = 24 PCS
COLOUR: TRANSPARENT



TRAY TYPE B
QTY OF CAVITY: 3 X 15 = 45 PCS
COLOUR: TRANSPARENT



TRAY TYPE AND COLOUR - SEE TABLE
QTY OF CAVITY: 1 X 22 = 22 PCS
COLOUR - SEE TABLE

TRAY TYPE	DIM 'X'	TRAY COLOUR
C	165	TRANSPARENT
D	160	WHITE

REVISE DESIGN EC NO: S2008-0403 DRWN: TYANG01 CHKD: CGTAN APPR: SILENI	2007/11/29 2007/11/29 2007/11/30	DESCRIPTION REV	QUALITY SYMBOLS	GENERAL TOLERANCES (UNLESS SPECIFIED)	DIMENSION STYLE	SCALE	DESIGN UNITS	THIRD ANGLE PROJECTION																			
			$\nabla=0$ $\sphericalangle=0$	<table border="1"> <thead> <tr> <th></th> <th>mm</th> <th>INCH</th> </tr> </thead> <tbody> <tr> <td>4 PLACES</td> <td>± ---</td> <td>± ---</td> </tr> <tr> <td>3 PLACES</td> <td>± ---</td> <td>± ---</td> </tr> <tr> <td>2 PLACES</td> <td>± 0.13</td> <td>± ---</td> </tr> <tr> <td>1 PLACE</td> <td>± 0.25</td> <td>± ---</td> </tr> <tr> <td colspan="3">ANGULAR ± 1 °</td> </tr> </tbody> </table>		mm	INCH	4 PLACES	± ---	± ---	3 PLACES	± ---	± ---	2 PLACES	± 0.13	± ---	1 PLACE	± 0.25	± ---	ANGULAR ± 1 °			MM ONLY DRAWN BY DATE MLONG 2003/01/07 CHECKED BY DATE PTL IM 2003/07/16 APPROVED BY DATE SKTOH 2003/07/17	NTS METRIC	TITLE MINI DIMM, 0.60MM PITCH 200/244 CKTS, VERTICAL	MOLEX INCORPORATED	SHEET NO. 5 OF 5
				mm	INCH																						
			4 PLACES	± ---	± ---																						
3 PLACES	± ---	± ---																									
2 PLACES	± 0.13	± ---																									
1 PLACE	± 0.25	± ---																									
ANGULAR ± 1 °																											
DRAFT WHERE APPLICABLE MUST REMAIN WITHIN DIMENSIONS	SEE TABLE	DOCUMENT NO. SD-87782-001	MATERIAL NO.	THIS DRAWING CONTAINS INFORMATION THAT IS PROPRIETARY TO MOLEX INCORPORATED AND SHOULD NOT BE USED WITHOUT WRITTEN PERMISSION																							