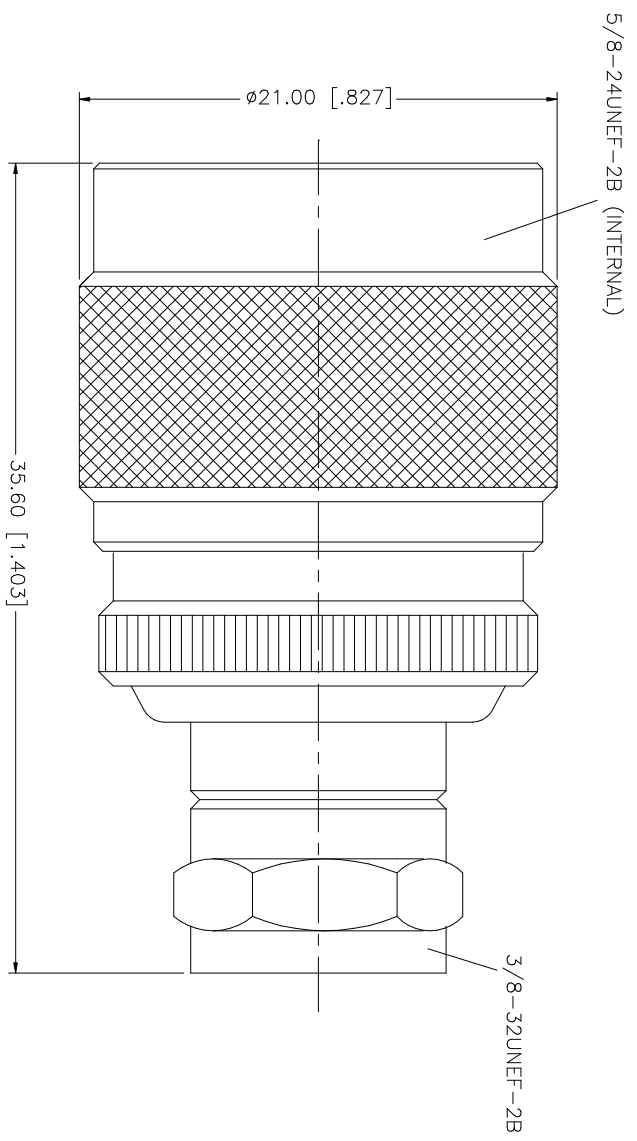


REV.	DATE	DESCRIPTION
A	09/25/03	MODIFY BODY LAYOUT



NO.	DESCRIPTION	MATERIAL	FINISH	QTY	UNLESS OTHERWISE SPECIFIED DIMENSIONS ARE IN INCHES AND FOR CUSTOMER REFERENCE ONLY. TOLERANCES FOR MILLING ARE: UNLESS OTHERWISE SPECIFIED 0.5 - 8mm ± 0.20mm 8 - 30mm ± 0.40mm 30 - 120mm ± 0.50mm UNLESS OTHERWISE SPECIFIED DIMENSIONS FOR INCH ARE: UNLESS OTHERWISE SPECIFIED .020 - .315 = ± 0.007" .315 - 1.180 = ± 0.015" 1.180 - 4.724 = ± 0.020"	DO NOT SCALE DRAWING	APPROVALS	DATE	PART DESCRIPTION						
8								<p style="text-align: center;">Amphenol Connex</p> <p>PART DESCRIPTION N 50ohm MALE TO F 75ohm MALE ADAPTER</p> <p>PART NO. 242157</p>							
7						DRAWN	09/25/03								
6						CHECKED									
5						ISSUED									
4						SHEET	1 OF 1								
3	CONTACT PIN	BRASS	GOLD	1											
2	INSULATOR	TEFLON	NATURAL	1											
1	BODY	BRASS	NICKEL	1											
	DESCRIPTION	MATERIAL	FINISH	QTY											
						CAD FILE	C:/242/242157.DWG	DWG. NO.	242157.DWG	REV.	A	SIZE	A	SCALE	NA