

Feed-through header - MSTBO 2,5/ 4-G1L THRR44 BK - 2697194

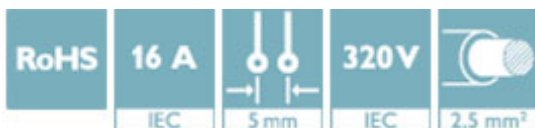
Please be informed that the data shown in this PDF Document is generated from our Online Catalog. Please find the complete data in the user's documentation. Our General Terms of Use for Downloads are valid (<http://phoenixcontact.com/download>)



PCB headers, nominal current: 16 A, rated voltage (III/2): 320 V, number of positions: 4, pitch: 5 mm, color: black, contact surface: Tin, mounting: Taped SMD/THT/THR components

Why buy this product

- For ME/ME MAX electronics housing
- 5 mm pitch
- 2, 3, and 4-pos.
- Plug-in direction orthogonal to the PCB
- Orthogonal headers for through hole reflow process
- Integrated suction surface
- Made from high-temperature-resistant polyamide for use in lead-free soldering processes.
- Supplied taped as standard, in bulk as an option



Key Commercial Data

Packing unit	100 STK
Minimum order quantity	100 STK
GTIN	
GTIN	4046356040273

Technical data

Dimensions

Pitch	5 mm
Dimension a	15 mm
Length of the solder pin	3.5 mm
Pin spacing	5.00 mm

General

Range of articles	MSTBO 2,5/..-G1L-THR
Insulating material group	I

Feed-through header - MSTBO 2,5/ 4-G1L THRR44 BK - 2697194

Technical data

General

Rated surge voltage (III/3)	4 kV
Rated surge voltage (III/2)	4 kV
Rated surge voltage (II/2)	4 kV
Rated voltage (III/3)	250 V
Rated voltage (III/2)	320 V
Rated voltage (II/2)	400 V
Connection in acc. with standard	EN-VDE
Nominal current I_N	16 A
Maximum load current	16 A
Insulating material	PA
Flammability rating according to UL 94	V0
Color	black
Number of positions	4

Standards and Regulations

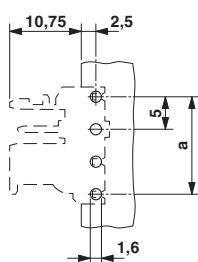
Connection in acc. with standard	EN-VDE
	CUL
Flammability rating according to UL 94	V0

Environmental Product Compliance

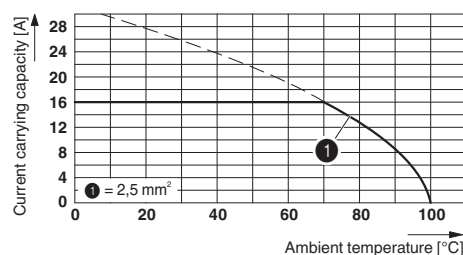
China RoHS	Environmentally friendly use period: unlimited = EFUP-e
	No hazardous substances above threshold values

Drawings

Drilling diagram

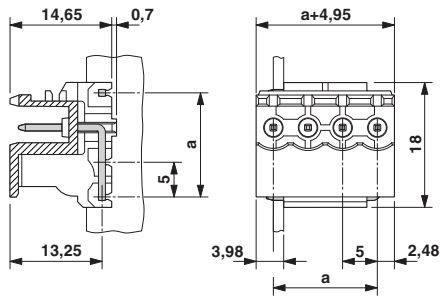


Diagram

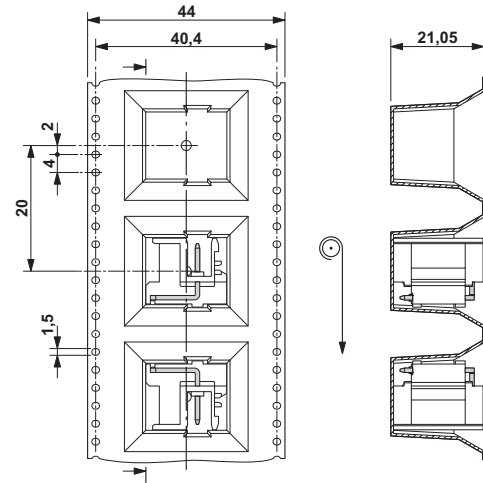


Feed-through header - MSTBO 2,5/ 4-G1L THRR44 BK - 2697194

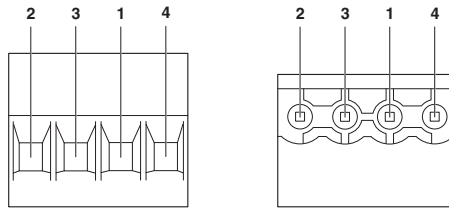
Dimensional drawing



Dimensional drawing

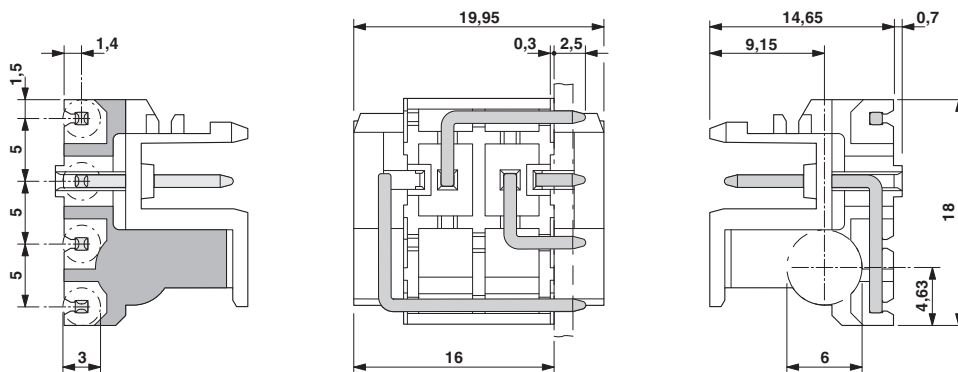


Schematic diagram



Pin assignment left

Dimensional drawing



Approvals

Approvals

Feed-through header - MSTBO 2,5/ 4-G1L THRR44 BK - 2697194


Approvals


Approvals

EAC / cULus Recognized

Ex Approvals

Approval details

EAC		B.01742
-----	---	---------

cULus Recognized		http://database.ul.com/cgi-bin/XYV/template/LISEXT/1FRAME/index.htm	E60425-20050718
	D	B	
Nominal voltage UN	300 V	300 V	
Nominal current IN	10 A	16 A	

Phoenix Contact 2018 © - all rights reserved
<http://www.phoenixcontact.com>

PHOENIX CONTACT GmbH & Co. KG
Flachsmarktstr. 8
32825 Blomberg
Germany
Tel. +49 5235 300
Fax +49 5235 3 41200
<http://www.phoenixcontact.com>