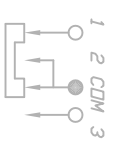
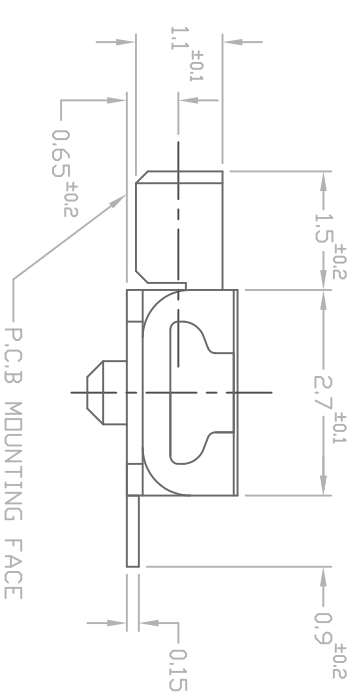
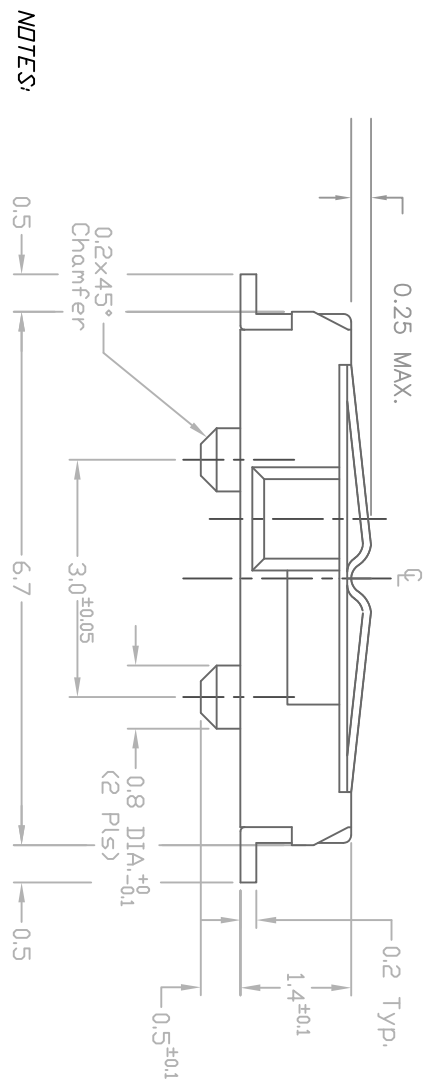


RECOMMENDED P.C.B. LAYOUT (SCALE 5:1)



CIRCUIT: SP2T
CONTACT CONFIGURATION

- NOTES:
1. ALL DIMENSIONS IN MM
 2. TERM. NOS. FOR REF ONLY
 3. RATING: DC 4V, 0.3A
 4. OPERATING FORCE: 150±70gf
 5. CONTACT RESISTANCE: 70m Ohms Max.
 6. INSULATION RESISTANCE: DC 100V-100M Ohms Min
 7. WITHSTAND VOLTAGE: AC 100V-1MINUTE
 8. OPERATING TEMP, -20°C to +70°C
 9. LIFE: 10,000 Cycles min.

F	21709	ADDED TO DRAWING	10/29/14,	AS
E	12175	ADD NOTE 8 & 9	5/22/02	CJB
REV.	ECN No.	DESCRIPTION	DATE	CHKD

TITLE		SCALE	DATE	DR	DWG	REV
EG 1257		10:1	8/27/97	MM	P112221	F

THE INFORMATION CONTAINED IN THIS DOCUMENT IS PROPRIETARY TO E-SWITCH AND IS NOT TO BE COPIED OR TRANSFERRED