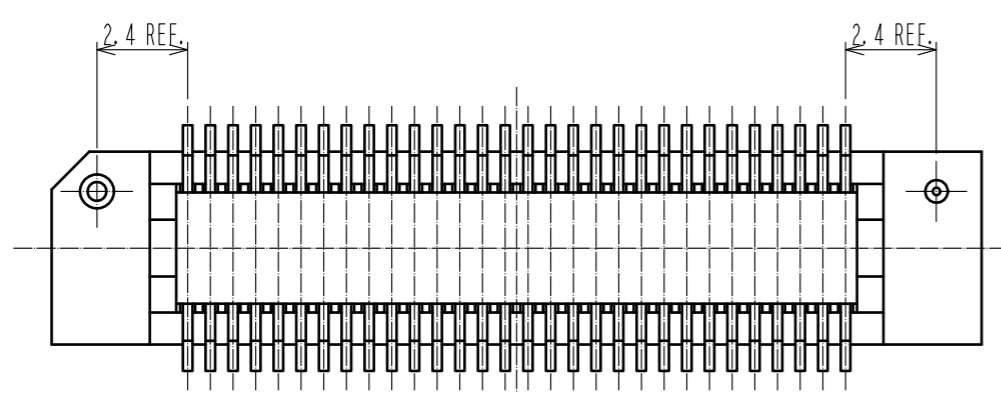
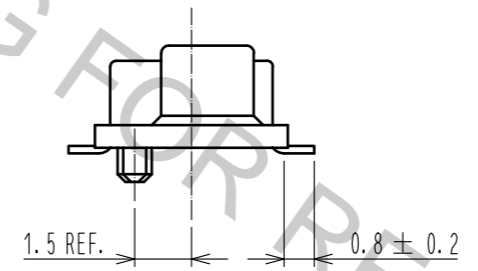
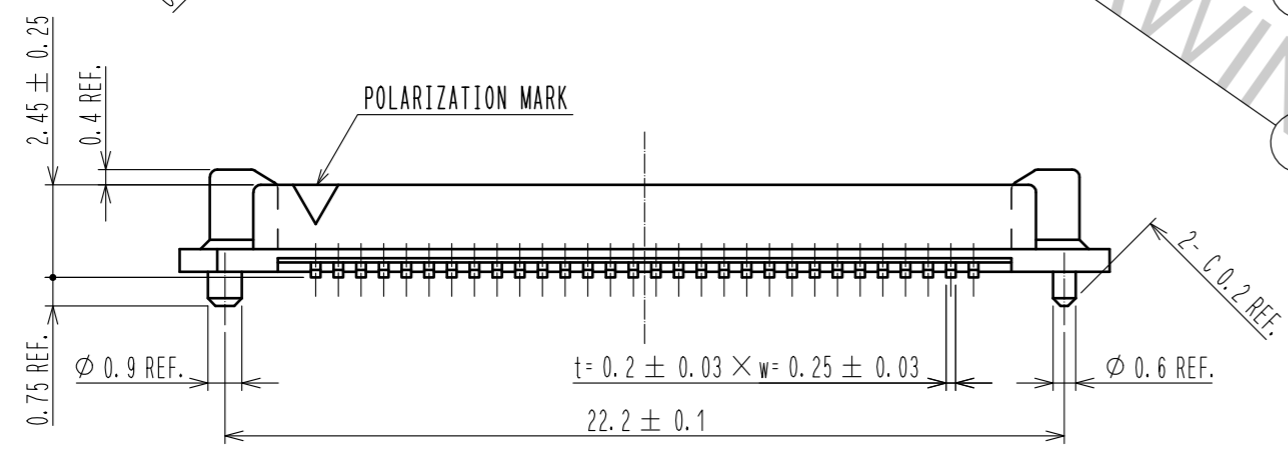
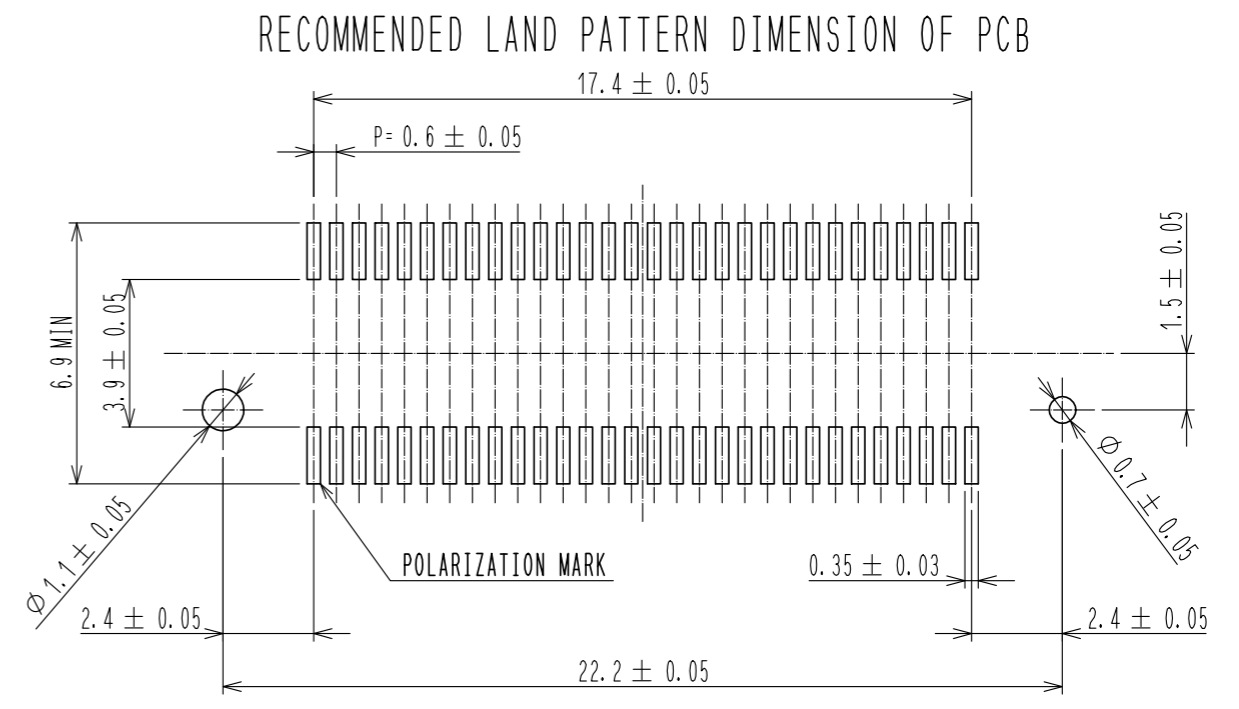
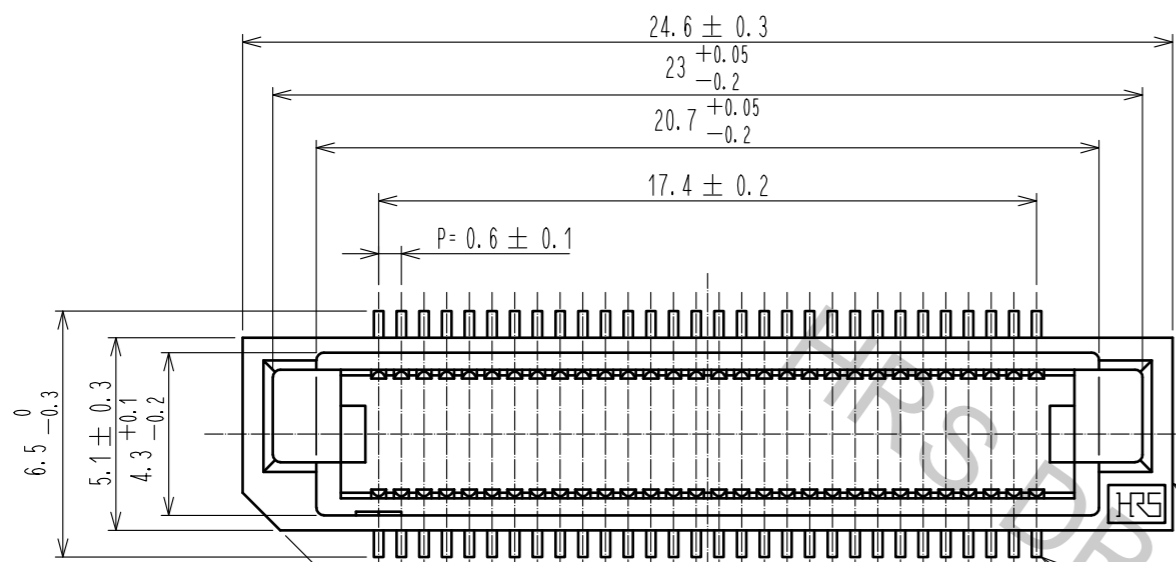


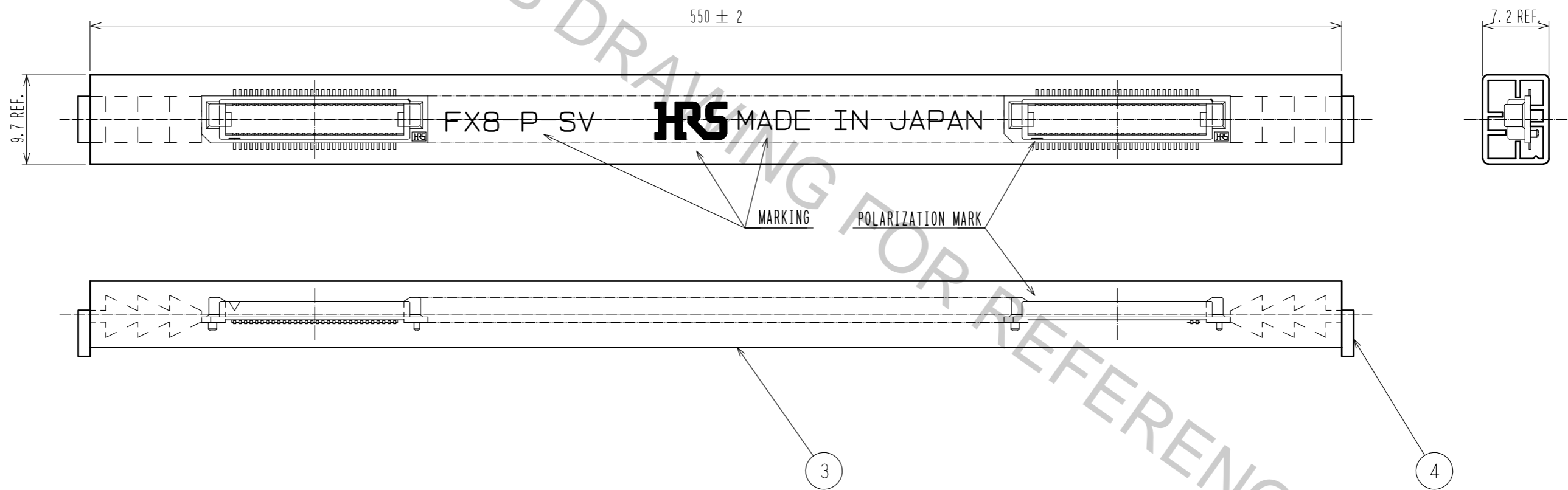
Apr.1.2017 Copyright 2017 HIROSE ELECTRIC CO., LTD. All Rights Reserved.



- NOTE
1. SMT LEAD-COPLANARITY:0.1 MAX.
 2. TUBE PACKAGE IS APPLIED FOR THIS PRODUCT. PLEASE REFER TO THE SHEET 2/2 FOR THE DETAILS.
 3. FOR MODIFICATION, ETC., PREVENTIVE HOLE FOR SINK MARK MAY BE ADDED ACCORDING TO CIRCUMSTANCES.

4	PVC	CAP					
3	PVC	TUBE					
2	PHOSPHOR BRONZE	CONTACT: GOLD PLATING 0.1μm MIN LEAD : GOLD PLATING 0.03μm MIN UNDER :NICKEL PLATING 0.5μm MIN					
1	PPS	LIGHT BROWN, UL94V-0					
NO.	MATERIAL	FINISH . REMARKS	NO.	MATERIAL	FINISH . REMARKS		
UNITS	mm	SCALE	5:1	COUNT	DESCRIPTION OF REVISIONS	DESIGNED	CHECKED
						DATE	
HRS HIROSE ELECTRIC CO., LTD.		APPROVED :NH. NAKATA	16.11.21	DRAWING NO. EDC-150564-91-00			
		CHECKED :HT. YAMAGUCHI	16.11.21	PART NO. FX8-60P-SV(91)			
		DESIGNED :MT. ITANO	16.11.21	CODE NO. CL578-0001-6-91			
		DRAWN :MT. ITANO	16.11.21			1/2	

DRAWING FOR PACKING(FREE)



NOTE 4. 1TUBE : 21CONNECTORS.

HRS	DRAWING NO.	EDC-150564-91-00
	PART NO.	FX8-60P-SV(91)
	CODE NO.	CL578-0001-6-91

2/2