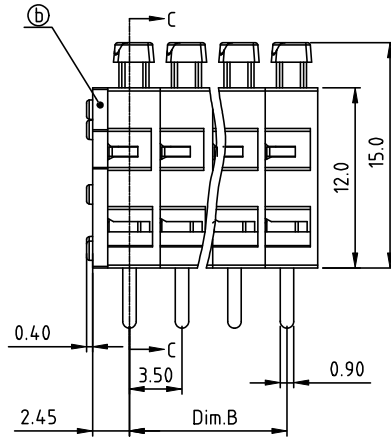
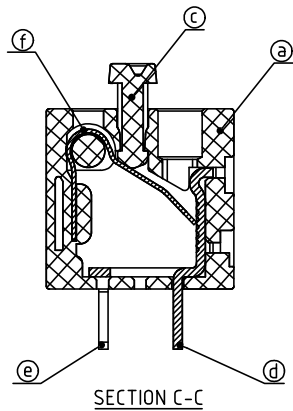
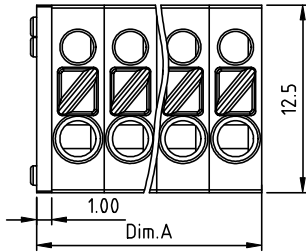
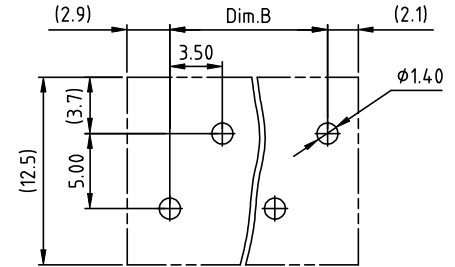
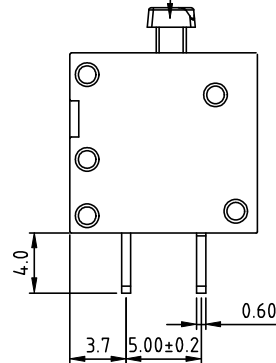


PRODUCT NUMBER	PITCH
HXxx20x100J0G	3.50 mm



The color of lever is consistent with body's



RECOMMENDED P.C.B LAYOUT
TOP VIEW

Material:

- Item(a) Terminal housing: Thermoplastic (UL94V-0)
- Item(b) Terminal cover: Thermoplastic (UL94V-0)
- Item(c) Lever: Thermoplastic (UL94V-0)
- Item(d) Solder pin (Right): Brass, Tin plated
- Item(e) Solder pin (Left): Brass, Tin plated
- Item(f) Wire guard: Stainless steel

Electrical cULus

- Voltage rating: AC 300V
- Current rating: 10A
- Wire range:
 - Solid wire(AWG): 16-26
 - Stranded wire(AWG): 16-26
 - Wire strip length: 7-8mm
- Withstanding Voltage: 1.6KV
- Operating temperature: -40°C to +115°C
- Soldering temperature: 260°C±5°C/5 Sec
- Safety Approval:

The 1st pole

PART NO.: HX xx 20 x 1 00J0 G

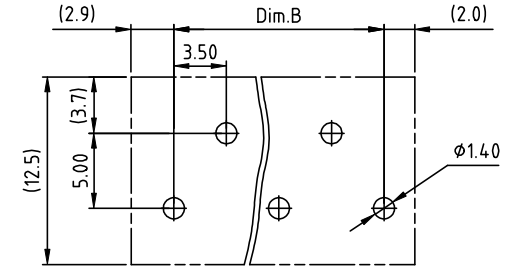
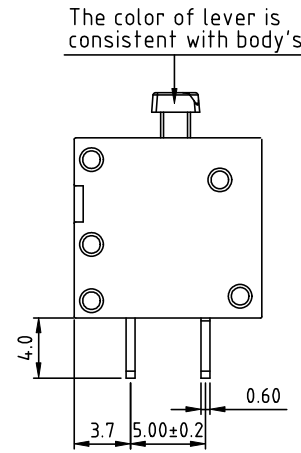
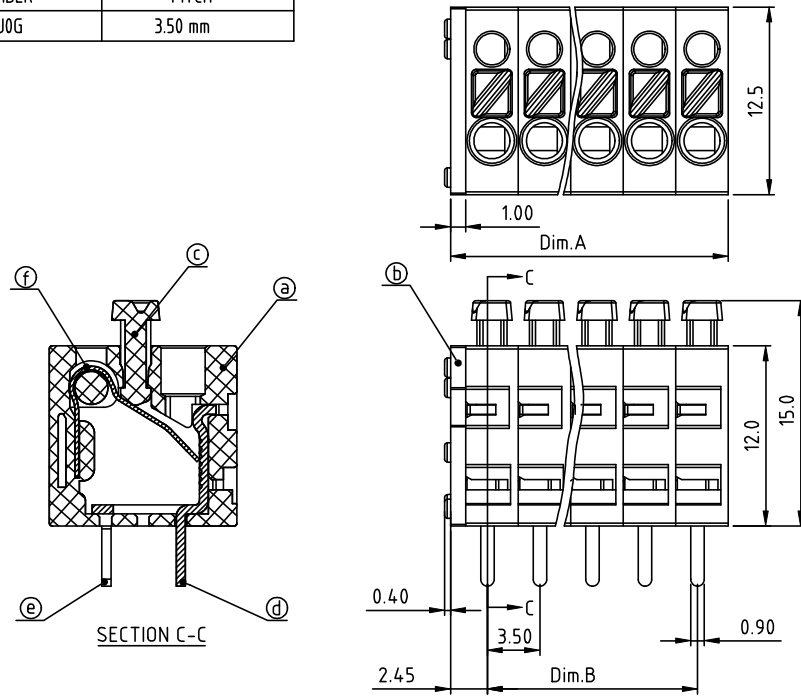
N=Number of poles
Dim.A=N×3.5+1.0
Dim.B=(N-1)×3.5

Poles	Dim.A	Dim.B
2p\4p\6p	±0.20	±0.15
8p\10p\12p	±0.25	±0.20
14p\16p\18p	±0.30	±0.25
20p\22p\24p	±0.40	±0.30

End stackable	No. of poles	Color	RoHS compliant
0	2	Black (RAL9005)	(lead<4%) In copper Alloy
02	2 poles	Red (RAL3001/D)	
04	4 poles	Orange(RAL2011/P)	
...	...	Yellow(RAL1018/A)	
24	24 poles	Green(RAL6018/T)	
		Blue (RAL5015/A)	
		Grey(RAL7004/D)	
		White(RAL1102)	
		C Multiple colors	

mat'l. code				surface ASME Y14.5		tolerance ASME Y14.5		projection		product family TERMINAL BLOCK			
ltr ecn no dr date				tolerances unless otherwise specified		X.±0.5		MM		title TERMINAL BLOCK SPRING CLAMP,90D WIRE INLET INTERLACE CONTACT,A TYPE,EVEN POLES			
				angles X'±1°		X.XX±0.3		scale		sheet 1 of 2 size			
						X.XX±0.1		FCI		HXxx20x100J0G A4			
				dr EVIN ZHONG 052314						type CUSTOMER Drawing			
				enr EVIN ZHONG 052314									
				chr HANKE FENG 052314									
				appd SHI JUN 052314									
sheet index		revision sheet		A 1									

PRODUCT NUMBER	PITCH
HXxx20x100J0G	3.50 mm



RECOMMENDED P.C.B LAYOUT
TOP VIEW

Material:

- Item (a) Terminal housing: Thermoplastic (UL94V-0)
- Item (b) Terminal cover: Thermoplastic (UL94V-0)
- Item (c) Lever: Thermoplastic (UL94V-0)
- Item (d) Solder pin (Right): Brass, Tin plated
- Item (e) Solder pin (Left): Brass, Tin plated
- Item (f) Wire guard: Stainless steel

Electrical

- Voltage rating: AC 300V
- Current rating: 10A
- Wire range:
- Solid wire (AWG): 16-26
- Stranded wire (AWG): 16-26
- Wire strip length: 7-8mm
- Withstanding Voltage: 1.6KV
- Operating temperature: -40°C to +115°C
- Soldering temperature: 260°C±5°C/5 Sec
- Safety Approval: cULus

N=Number of poles
Dim.A=N×3.5+1.0
Dim.B=(N-1)×3.5

Poles	Dim.A	Dim.B
3p\5p	±0.20	±0.15
7p\9p\11p	±0.25	±0.20
13p\15p\17p	±0.30	±0.25
19p\21p\23p	±0.40	±0.30

PART NO.: HX xx 20 x 1 00J0 G

End stackable	No. of poles	Color	RoHS compliant
0	2	Black (RAL9005)	(lead<4%) In copper Alloy
03	3 poles	Red (RAL3001/D)	
05	5 poles	Orange(RAL2011/P)	
...	...	Yellow(RAL1018/A)	
...	...	Green(RAL6018/T)	
23	23 poles	Blue (RAL5015/A)	
		8 Grey(RAL7004/P)	
		9 White(RAL1102)	
		C Multiple colors	

mat'l. code		surface	tolerance	projection	product family
		ASME Y14.5	ASME Y14.5		TERMINAL BLOCK
ltr		ecn no		title	
dr		date		TERMINAL BLOCK	
				SPRING CLAMP,90D WIRE INLET	
				INTERLACE CONTACT,A TYPE,ODD POLES	
				scale	
				MM	
				sheet 2 of 2 size	
				A4	
				type	
				CUSTOMER Drawing	
sheet index		revision sheet			
A		2			