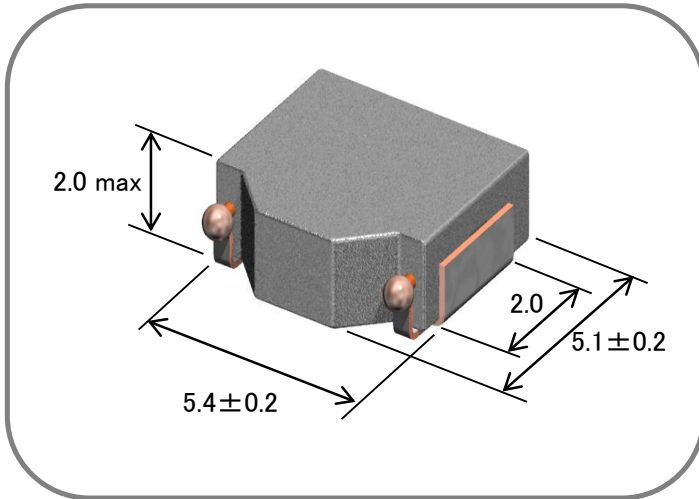


## Component Image & Dimension



## Features

- a) Small Footprint and Low Profile Design :  
Footprint : 5.4 x 5.1 mm Typ.  
Height : 2.0mm Max.
- b) High Power Handling Capability :  
Small Copper Loss  
Using Large Saturation Induction of Fe- based metals
- c) Flat inductance performance over temperature based on the high curie temperature of the iron powder core material.
- d) Automatic Mounting in Tape&Reel Package.

## Applications

Note Book & Mobile Computer, VRM, Cellular Phone, HDD, Car accessories etc.

## Electrical Specification

TDK Identification	Inductance		Test Freq. (kHz)	DC Resistance		Rated DC Current		
	at 0A (uH)	Tol. (%)		Spec. (m-Ohm)	Typ. (m-Ohm)	Idc 1 (A) max.	Idc 1 (A) typ.	Idc 2 (A) typ.
SPM5020T- R47M-CA	0.47	+/-20%	100	18.5 max	16.8	13.6	18.1	6.9
SPM5020T- 1R0M-CA	1.0	+/-20%	100	25.3 max	23.0	8.3	11.0	6.0
SPM5020T- 1R5M-CA	1.5	+/-20%	100	33.4 max	30.4	7.8	10.4	5.0
SPM5020T- 2R2M-CA	2.2	+/-20%	100	51.4 max	46.7	5.5	7.3	4.2
SPM5020T- 3R3M-CA	3.3	+/-20%	100	66.3 max	60.3	5.2	7.0	3.8
SPM5020T- 4R7M-CA	4.7	+/-20%	100	74.0 max	67.3	4.1	5.5	3.4

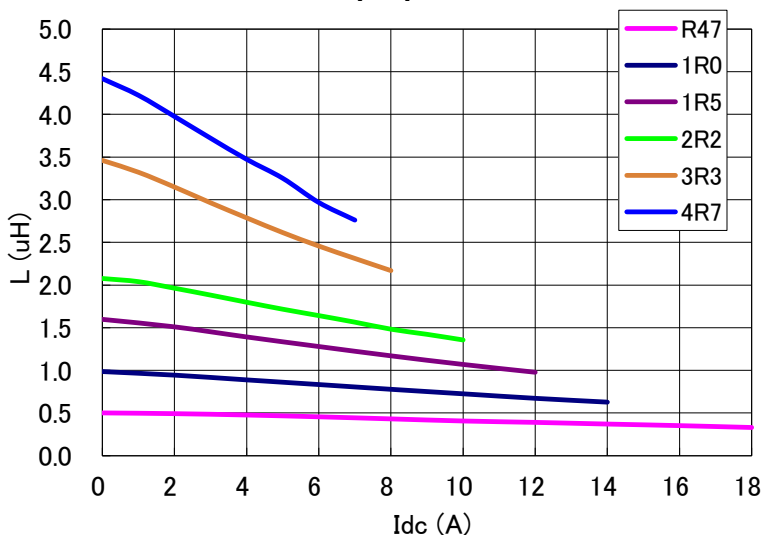
Note. Idc 1 : Based on the inductance change. (-30% Reduction from Nominal L Value )

Idc 2 : Based on the self temperature rise. (+40 deg typ.)

Operating Temperature Range: -40 °C ~ +125 °C (including self temperature rise)

**Caution: Please contact our sales person when you consider organic solvent or aqueous cleaning.**

## Inductance vs. DC Superposition



## Recommended pad layout

