

## BROADCAST ANALOG TUNING DIGITAL DISPLAY AM/FM/SW RADIO RECEIVER

### Features

- Worldwide FM band support (64–109 MHz)
  - Worldwide AM band support (504–1750 kHz)
  - SW band support (2.3–28.5 MHz)
  - Selectable support for all AM/FM/SW regional bands
  - Enhanced FM/SW band coverage
  - 2-wire control interface
  - Mono output
  - Valid station indicator
  - Digital volume support
  - Bass/Treble support
  - Minimal BOM components with no manual alignment
  - Excellent real-world performance
  - China TV channels audio carrier reception in FM band
  - 2.0 to 3.6 V supply voltage
  - Wide range of ferrite loop sticks and air loop antenna support
  - 16-pin SOIC package
  - RoHS compliant
  - Not EN55020 compliant \*
- \*Note:** For consumer applications that require EN 55020 compliance, use Si4844-B.

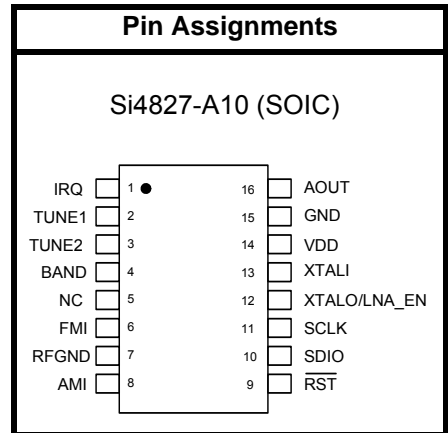
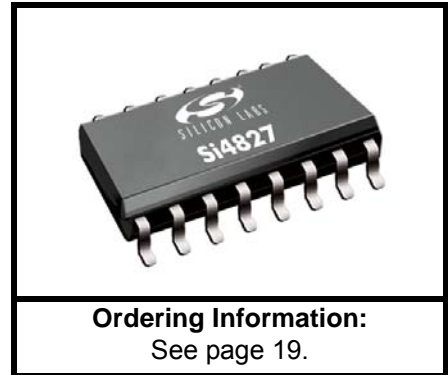
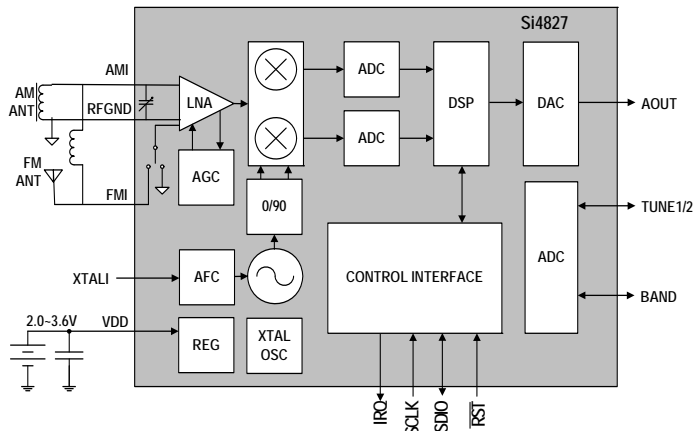
### Applications

- Table and portable radios
- Boom boxes
- Clock radios
- Modules for consumer electronics
- Toys, lamps, and any application needing an AM/FM/SW radio

### Description

The Si4827 is an entry level analog-tuned digital-display digital CMOS AM/FM/SW radio receiver IC that integrates the complete receiver function from antenna input to audio output. Working with Host MCU (I<sup>2</sup>C-compatible 2-wire control interface), frequencies information can be displayed on LCD while the analog-tune features are kept. The Si4827 enhances the FM and SW band coverage, and further supports China TV channels audio reception in FM band. The superior control algorithm integrated in the Si4827 provides an easy and reliable control interface while eliminating all the manual tuned external components used in traditional solutions.

### Functional Block Diagram



This product, its features, and/or its architecture is covered by one or more of the following patents, as well as other patents, pending and issued, both foreign and domestic: 7,127,217; 7,272,373; 7,272,375; 7,321,324; 7,355,476; 7,426,376; 7,471,940; 7,339,503; 7,339,504.



---

**TABLE OF CONTENTS**


---

<b><u>Section</u></b>	<b><u>Page</u></b>
<b>1. Electrical Specifications</b>	<b>4</b>
<b>2. Typical Application Schematic</b>	<b>11</b>
<b>3. Bill of Materials</b>	<b>12</b>
<b>4. Functional Description</b>	<b>13</b>
4.1. Overview	13
4.2. FM Receiver	14
4.3. AM Receiver	14
4.4. SW Receiver	14
4.5. Frequency Tuning	14
4.6. Band Select	14
4.7. Bass and Treble	15
4.8. Volume Control	15
4.9. High Fidelity DAC	15
4.10. Soft Mute	15
4.11. Reference Clock	15
4.12. Reset, Powerup, and Powerdown	15
4.13. Memorizing Status	15
4.14. Programming with Commands	15
<b>5. Commands and Properties</b>	<b>16</b>
<b>6. Pin Descriptions: Si4827-A10</b>	<b>18</b>
<b>7. Ordering Guide</b>	<b>19</b>
<b>8. Package Outline: Si4827-A10</b>	<b>20</b>
<b>9. PCB Land Pattern: Si4827-A10</b>	<b>21</b>
<b>10. Top Markings</b>	<b>22</b>
10.1. Si4827-A10 Top Marking	22
10.2. Top Marking Explanation	22
<b>11. Additional Reference Resources</b>	<b>23</b>
<b>Document Change List</b>	<b>24</b>
<b>Contact Information</b>	<b>25</b>

# Si4827-A10

## 1. Electrical Specifications

Table 1. Recommended Operating Conditions<sup>1,2</sup>

Parameter	Symbol	Test Condition	Min	Typ	Max	Unit
Supply Voltage <sup>3</sup>	$V_{DD}$		2.0	—	3.6	V
Power Supply Powerup Rise Time	$V_{DDRISE}$		10	—	—	$\mu$ s
Ambient Temperature Range	$T_A$		0	25	70	$^{\circ}$ C

**Notes:**

1. Typical values in the data sheet apply at  $V_{DD} = 3.3$  V and  $25^{\circ}$ C unless otherwise stated.
2. All minimum and maximum specifications in the data sheet apply across the recommended operating conditions for minimum  $V_{DD} = 2.7$  V.
3. Operation at minimum  $V_{DD}$  is guaranteed by characterization when  $V_{DD}$  voltage is ramped down to 2.0 V. Part initialization may become unresponsive below 2.3 V.

Table 2. DC Characteristics

( $V_{DD} = 2.7$  to  $3.6$  V,  $T_A = 0$  to  $70^{\circ}$ C)

Parameter	Symbol	Test Condition	Min	Typ	Max	Unit
<b>FM Mode</b>						
Supply Current*	$I_{FM}$		—	21.0	—	mA
<b>AM/SW Mode</b>						
Supply Current*	$I_{AM}$		—	20.0	—	mA
<b>Supplies and Interface</b>						
$V_{DD}$ Powerdown Current	$I_{DDPD}$		—	10	—	$\mu$ A

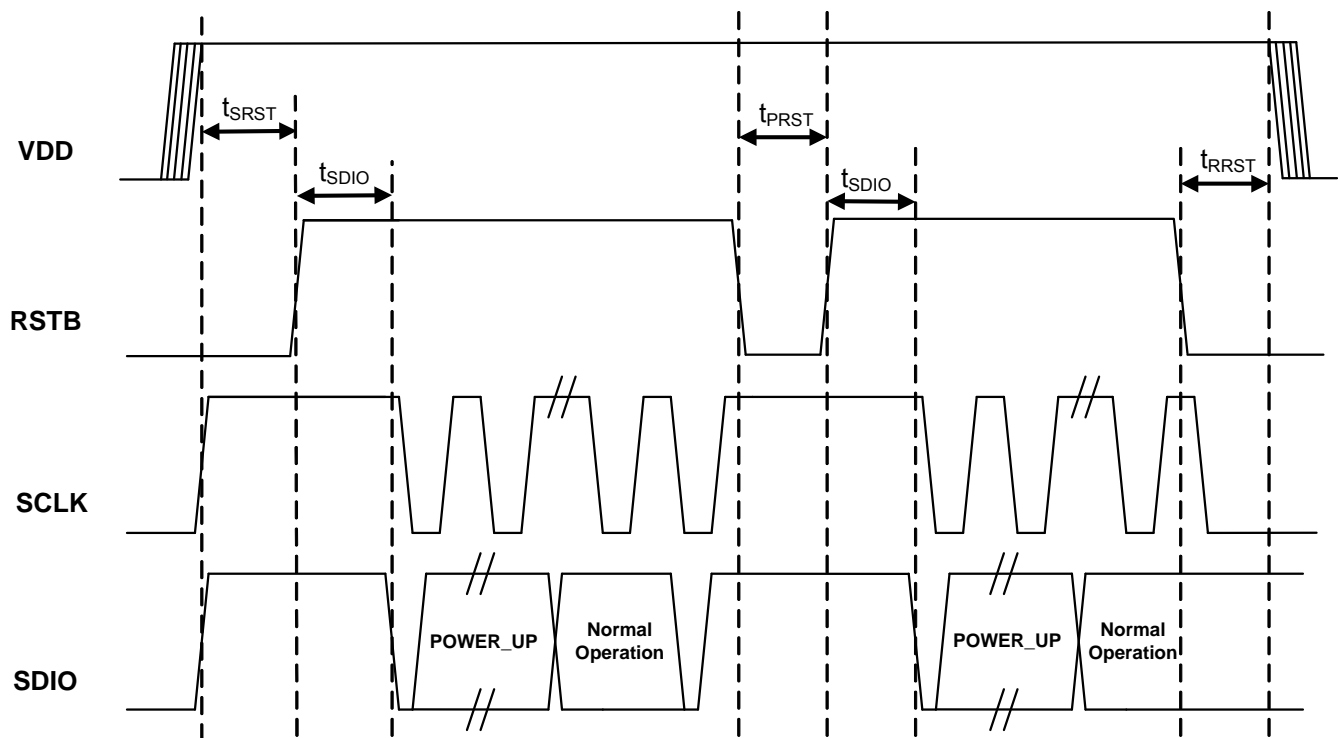
\*Note: Specifications are guaranteed by characterization.

**Table 3. Reset Timing Characteristics**(V<sub>DD</sub> = 2.7 to 3.6 V, TA = 0 to 70 °C)

Parameter	Symbol	Min	Typ	Max	Unit
RSTB Pulse Width	t <sub>PRST</sub>	100	—	—	μs
2-wire Bus Idle Time After RSTB Rises	t <sub>SDIO</sub>	100	—	—	μs
2-wire Bus Idle Time Before RSTB Rises, and VDD Valid Time Before RSTB Rises	t <sub>SRST</sub>	100	—	—	μs
RSTB Low Time Before VDD Becomes Invalid	t <sub>RRST</sub>	0	—	—	μs

**Notes:**

1. RSTB must be held low for at least 100 μs after the voltage supply has been ramped up.
2. RSTB needs to be asserted (pulled low) prior to the supply voltage being ramped down.

**Figure 1. Reset Timing**

# Si4827-A10

**Table 4. 2-Wire Control Interface Characteristics<sup>1,2,3</sup>**

( $V_{DD} = 2.7$  to  $3.6$  V,  $T_A = 0$  to  $70$  °C)

Parameter	Symbol	Test Condition	Min	Typ	Max	Unit
SCLK Frequency	$f_{SCLK}$		0	—	400	kHz
SCLK Low Time	$t_{LOW}$		1.3	—	—	$\mu$ s
SCLK High Time	$t_{HIGH}$		0.6	—	—	$\mu$ s
SCLK Input to SDIO $\downarrow$ Setup (START)	$t_{SU:STA}$		0.6	—	—	$\mu$ s
SCLK Input to SDIO $\downarrow$ Hold (START)	$t_{HD:STA}$		0.6	—	—	$\mu$ s
SDIO Input to SCLK $\uparrow$ Setup	$t_{SU:DAT}$		100	—	—	ns
SDIO Input to SCLK $\downarrow$ Hold <sup>4,5</sup>	$t_{HD:DAT}$		0	—	900	ns
SCLK input to SDIO $\uparrow$ Setup (STOP)	$t_{SU:STO}$		0.6	—	—	$\mu$ s
STOP to START Time	$t_{BUF}$		1.3	—	—	$\mu$ s
SDIO Output Fall Time	$t_{f:OUT}$		$20 + 0.1 \frac{C_b}{1pF}$	—	250	ns
SDIO Input, SCLK Rise/Fall Time	$t_{f:IN}$ $t_{r:IN}$		$20 + 0.1 \frac{C_b}{1pF}$	—	300	ns
SCLK, SDIO Capacitive Loading	$C_b$		—	—	50	pF
Input Filter Pulse Suppression	$t_{SP}$		—	—	50	ns

**Notes:**

1. When  $V_D = 0$  V, SCLK and SDIO are low impedance.
2. When selecting 2-wire mode, the user must ensure that a 2-wire start condition (falling edge of SDIO while SCLK is high) does not occur within 300 ns before the rising edge of  $\overline{RST}$ .
3. When selecting 2-wire mode, the user must ensure that SCLK is high during the rising edge of  $\overline{RST}$ , and stays high until after the first start condition.
4. The Si4827 delays SDIO by a minimum of 300 ns from the  $V_{IH}$  threshold of SCLK to comply with the minimum  $t_{HD:DAT}$  specification.
5. The maximum  $t_{HD:DAT}$  has only to be met when  $f_{SCLK} = 400$  kHz. At frequencies below 400 kHz,  $t_{HD:DAT}$  may be violated as long as all other timing parameters are met.

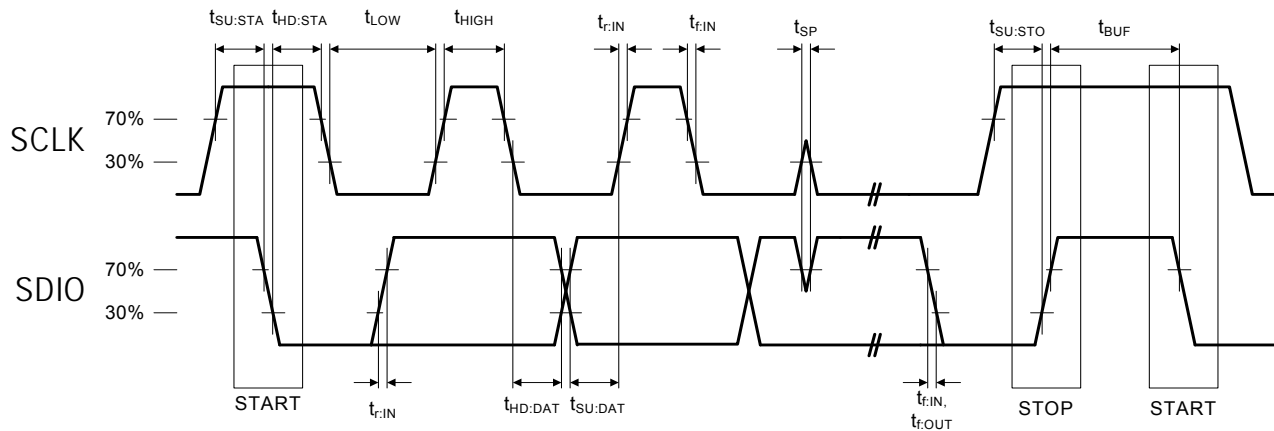


Figure 2. 2-Wire Control Interface Read and Write Timing Parameters

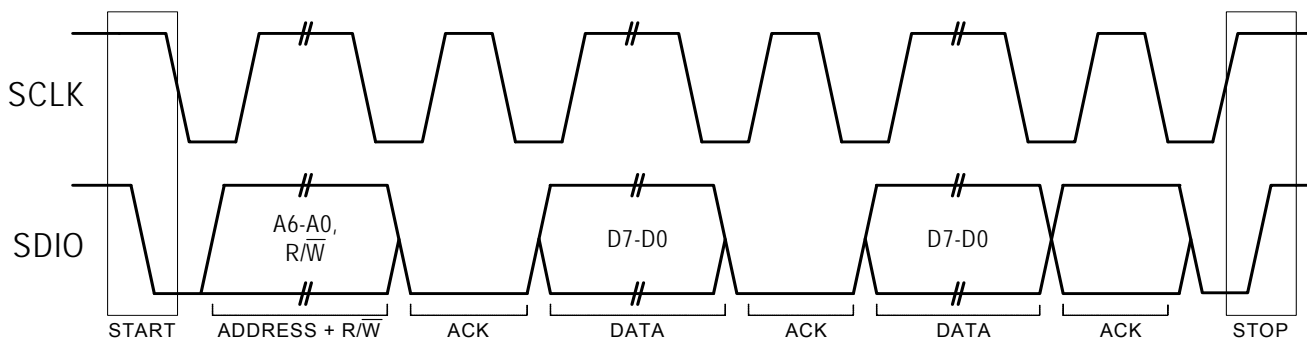


Figure 3. 2-Wire Control Interface Read and Write Timing Diagram

# Si4827-A10

**Table 5. FM Receiver Characteristics<sup>1,2</sup>**

( $V_{DD} = 2.7$  to  $3.6$  V,  $T_A = 0$  to  $70$  °C)

Parameter	Symbol	Test Condition	Min	Typ	Max	Unit
Input Frequency	$f_{RF}$		64	—	109	MHz
Sensitivity with Headphone Network <sup>3</sup>		(S+N)/N = 26 dB	—	4.0	—	$\mu$ V EMF
LNA Input Resistance <sup>4,5</sup>			—	4	—	k $\Omega$
LNA Input Capacitance <sup>4,5</sup>			—	5	—	pF
AM Suppression <sup>4,5,6,7</sup>		m = 0.3	—	50	—	dB
Input IP3 <sup>4,8</sup>			—	105	—	dB $\mu$ V EMF
Adjacent Channel Selectivity <sup>4</sup>		$\pm$ 200 kHz	—	45	—	dB
Alternate Channel Selectivity <sup>4</sup>		$\pm$ 400 kHz	—	60	—	dB
Audio Output Voltage <sup>5,6,7,12</sup>			—	72	—	mV <sub>RMS</sub>
Audio Mono S/N <sup>5,6,7,9,10</sup>			—	45	—	dB
Audio Frequency Response Low <sup>4</sup>		-3 dB	—	—	30	Hz
Audio Frequency Response High <sup>4</sup>		-3 dB	15	—	—	kHz
Audio THD <sup>5,6,11</sup>			—	0.1	0.5	%
Audio Output Load Resistance <sup>4,10</sup>	$R_L$	Single-ended	10	—	—	k $\Omega$
Audio Output Load Capacitance <sup>4,10</sup>	$C_L$	Single-ended	—	—	50	pF

**Notes:**

1. Additional testing information is available in “AN603: Si4822/26/27/40/44-DEMO Board Test Procedure”  
Volume = maximum for all tests. Tested at RF = 98.1 MHz.
2. To ensure proper operation and receiver performance, follow the guidelines in “AN602: Si4822/26/27/40/44 Antenna, Schematic, Layout, and Design Guidelines.” Silicon Laboratories will evaluate schematics and layouts for qualified customers.
3. Frequency is 64~109 MHz.
4. Guaranteed by characterization.
5.  $V_{EMF} = 1$  mV.
6.  $F_{MOD} = 1$  kHz, MONO, and L = R unless noted otherwise.
7.  $\Delta f = 22.5$  kHz.
8.  $|f_2 - f_1| > 2$  MHz,  $f_0 = 2 \times f_1 - f_2$ .
9.  $B_{AF} = 300$  Hz to 15 kHz, A-weighted.
10. At  $A_{OUT}$  pin.
11.  $\Delta f = 75$  kHz.
12. Tested in Digital Volume Mode.



**Table 6. AM/SW Receiver Characteristics<sup>1, 2</sup>**(V<sub>DD</sub> = 2.7 to 3.6 V, T<sub>A</sub> = 0 to 70 °C)

Parameter	Symbol	Test Condition	Min	Typ	Max	Unit
Input Frequency	f <sub>RF</sub>	Medium Wave (AM)	504	—	1750	kHz
		Short Wave (SW)	2.3	—	28.5	MHz
Sensitivity <sup>3,4,5</sup>		(S+N)/N = 26 dB	—	30	—	μV EMF
Large Signal Voltage Handling <sup>5</sup>		THD < 8%	—	300	—	mV <sub>RMS</sub>
Power Supply Rejection Ratio <sup>5</sup>		ΔV <sub>DD</sub> = 100 mV <sub>RMS</sub> , 100 Hz	—	40	—	dB
Audio Output Voltage <sup>3,6,8</sup>			—	54	—	mV <sub>RMS</sub>
Audio S/N <sup>3,4,6</sup>			—	45	—	dB
Audio THD <sup>3,6</sup>			—	0.1	—	%
Antenna Inductance <sup>5,7</sup>			180	—	450	μH

**Notes:**

1. Additional testing information is available in "AN603: Si4822/26/27/40/44 DEMO Board Test Procedure." Volume = maximum for all tests. Tested at RF = 6 MHz.
2. To ensure proper operation and receiver performance, follow the guidelines in "AN602: Si4822/26/27/40/44 Antenna, Schematic, Layout, and Design Guidelines." Silicon Laboratories will evaluate schematics and layouts for qualified customers.
3. F<sub>MOD</sub> = 1 kHz, 30% modulation, 2 kHz channel filter.
4. B<sub>AF</sub> = 300 Hz to 15 kHz, A-weighted.
5. Guaranteed by characterization.
6. V<sub>IN</sub> = 5 mV<sub>rms</sub>.
7. Stray capacitance on antenna and board must be < 10 pF to achieve full tuning range at higher inductance levels.
8. Tested in Digital Volume Mode.

**Table 7. Reference Clock and Crystal Characteristics**(V<sub>DD</sub> = 2.7 to 3.6 V, T<sub>A</sub> = 0 to 70 °C)

Parameter	Symbol	Test Condition	Min	Typ	Max	Unit
<b>Reference Clock</b>						
XTALI Supported Reference Clock Frequencies*			31.130	32.768	40,000	kHz
Reference Clock Frequency Tolerance for XTALI			-100	—	100	ppm
REFCLK_PRESCALE			1	—	4095	
REFCLK			31.130	32.768	34.406	kHz
<b>Crystal Oscillator</b>						
Crystal Oscillator Frequency			—	32.768	—	kHz
Crystal Frequency Tolerance			-100	—	100	ppm
Board Capacitance			—	—	3.5	pF
* <b>Note:</b> The Si4827-A10 divides the RCLK input by REFCLK_PRESCALE to obtain REFCLK. There are some RCLK frequencies between 31.130 kHz and 40 MHz that are not supported. For more details, see Table 9 of "AN610: Si48xx ATDD Programming Guide."						

# Si4827-A10

**Table 8. Thermal Conditions**

Parameter	Symbol	Min	Typ	Max	Unit
Thermal Resistance*	$\theta_{JA}$	—	80	—	°C/W
Ambient Temperature	$T_A$	0	25	70	°C
Junction Temperature	$T_J$	—	—	77	°C

**\*Note:** Thermal resistance assumes a multi-layer PCB with the exposed pad soldered to a topside PCB pad.

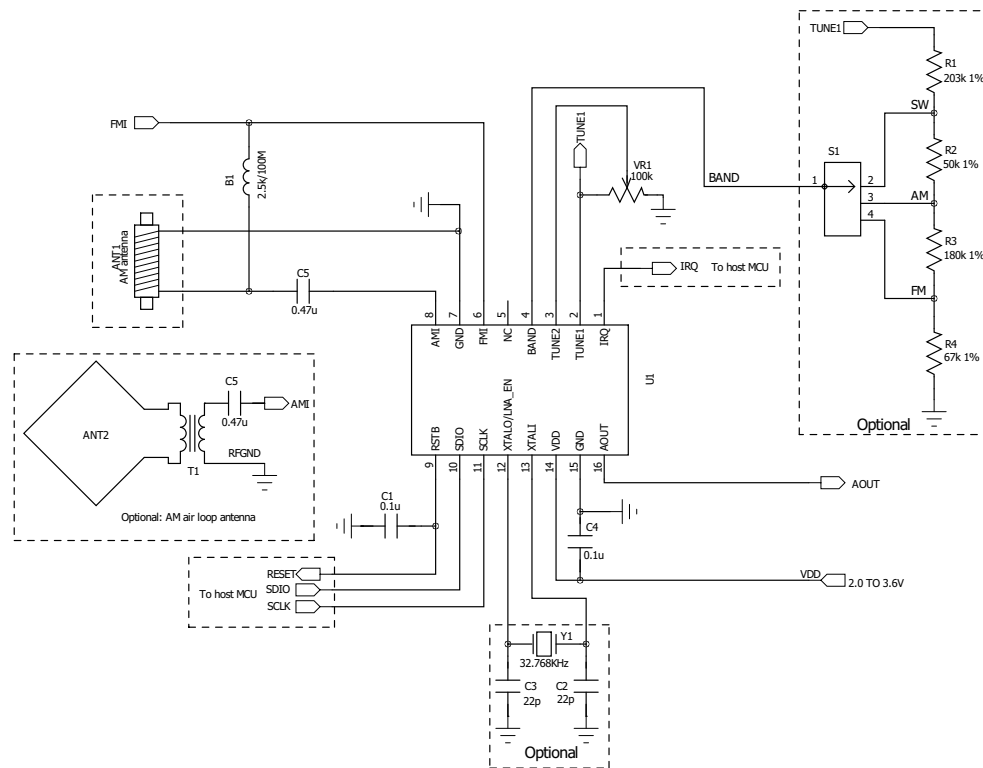
**Table 9. Absolute Maximum Ratings<sup>1,2</sup>**

Parameter	Symbol	Value	Unit
Supply Voltage	$V_{DD}$	-0.5 to 5.8	V
Input Current <sup>3</sup>	$I_{IN}$	10	mA
Operating Temperature	$T_{OP}$	-40 to 95	°C
Storage Temperature	$T_{STG}$	-55 to 150	°C
RF Input Level <sup>4</sup>		0.4	$V_{PK}$

**Notes:**

1. Permanent device damage may occur if the above Absolute Maximum Ratings are exceeded. Functional operation should be restricted to the conditions as specified in the operational sections of this data sheet. Exposure beyond recommended operating conditions for extended periods may affect device reliability.
2. The Si4827-A10 devices are high-performance RF integrated circuits with certain pins having an ESD rating of < 2 kV HBM. Handling and assembly of these devices should only be done at ESD-protected workstations.
3. For input pins RST, SDIO, SCLK, XTALO/LNA\_EN, XTALI, BAND, TUNE2, TUNE1 and IRQ.
4. At RF input pins, FMI, and AMI.

## 2. Typical Application Schematic



### Notes:

1. Place C4 close to VDD and GND pins.
2. All grounds connect directly to GND plane on PCB.
3. Pin 5 leave floating.
4. To ensure proper operation and receiver performance, follow the guidelines in "AN602: Si4822/26/27/40/44 Antenna, Schematic, Layout, and Design Guidelines." Silicon Labs will evaluate the schematics and layouts for qualified customers.
5. Pin 6 connects to the FM antenna interface and pin 8 connects to the AM antenna interface.
6. Place Si4827 as close as possible to antenna jack and keep the FMI and AMI traces as short as possible.
7. Recommend keeping the AM ferrite loop antenna at least 5 cm away from the Si4827.
8. Keep the AM ferrite loop antenna away from MCU, audio amplifier, and other circuits which have AM interference.
9. Place the transformer T1 away from any sources of interference and even away from the I/O signals of the Si4827.

# Si4827-A10

---

## 3. Bill of Materials

**Table 10. Si4827-A10 Bill of Materials**

Component(s)	Value/Description	Supplier
C1	Reset capacitor 0.1 $\mu$ F, $\pm$ 20%, Z5U/X7R	Murata
C4	Supply bypass capacitor, 0.1 $\mu$ F, $\pm$ 20%, Z5U/X7R	Murata
C5	Coupling capacitor, 0.47 $\mu$ F, $\pm$ 20%, Z5U/X7R	Murata
B1	Ferrite bead 2.5 k/100 MHz	Murata
VR1	Variable resistor (POT), 100 k $\Omega$ , $\pm$ 10%	Kennon
U1	Si4827-A AM/FM/SW Analog Tune Digital Display Radio Tuner	Silicon Laboratories
ANT1	Ferrite stick, 180–450 $\mu$ H	Jiaxin
<b>Optional Components</b>		
C2, C3	Crystal load capacitors, 22 pF, $\pm$ 5%, COG (Optional: for crystal oscillator option)	Venkel
Y1	32.768 kHz crystal (Optional: for crystal oscillator option)	Epson or equivalent
ANT2	Air loop antenna, 10–20 $\mu$ H	Various
S1	Band switch	Any, depends on customer
R1	Resistor, 203 k $\Omega$ , $\pm$ 1%	Venkel
R2	Resistor, 50 k $\Omega$ , $\pm$ 1%,	Venkel
R3	Resistor, 180 k $\Omega$ , $\pm$ 1%	Venkel
R4	Resistor, 67 k $\Omega$ , $\pm$ 1%	Venkel

## 4. Functional Description

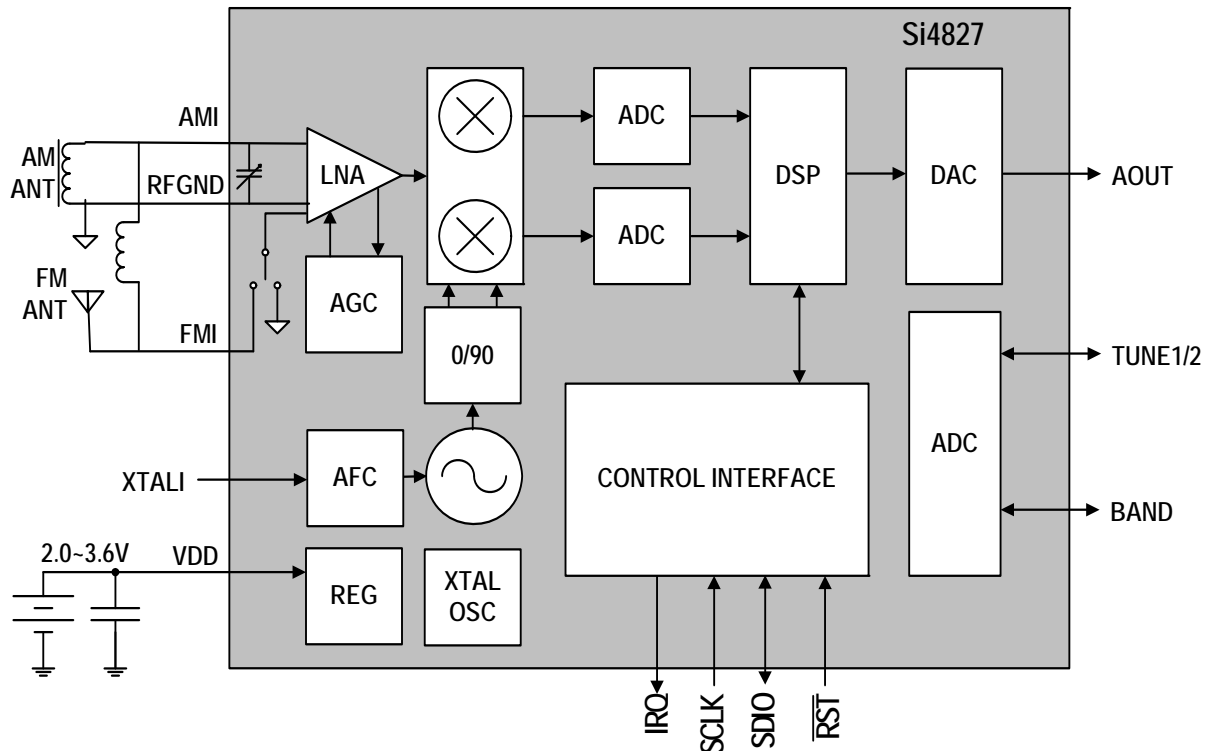


Figure 4. Si4827-A10 Functional Block Diagram

### 4.1. Overview

The Si4827-A10 is the entry level analog-tuned digital-display digital CMOS AM/FM/SW radio receiver IC that integrates the complete receiver function from antenna input to audio output. Working with an external MCU with LCD/LED driver, Si4827 can output the AM/FM/SW frequencies and band and volume information to display on LCD/LED, while using a simple potentiometer at the front end for analog-tune. Leveraging Silicon Laboratories' proven and patented digital low intermediate frequency (low-IF) receiver architecture, the Si4827 delivers superior RF performance and interference rejection in AM, FM and SW bands. Additionally, the digital core provides advanced audio conditioning for all environments, removing pops, clicks, and loud static in variable signal conditions. The superior control algorithm integrated in Si4827 provides easy and reliable control interface while eliminating all the manual tuned external components used in traditional solutions.

Like other successful audio products from Silicon Labs, Si4827 offers unmatched integration and PCB space savings with minimum external components and a small board area on a single side PCB. The high integration and complete system production test simplifies design-in, increases system quality, and improves manufacturability. The receiver has very low power consumption, runs off two AAA batteries, and delivers the performance benefits of high performance digital radio experience with digital display to the legacy analog-tuned radio market.

The Si4827 provides good flexibility in using the chip. The frequency range of FM/AM/SW bands, de-emphasis value, AM tuning step, and AM soft mute level/rate can be either configured by the MCU or by using external hardware to make a selection. The reference clock of the FM tuner can be provided by either the crystal or by the host MCU within tolerance.

The Si4827 also has flexibility in selecting bands and configuring band properties, enabling masked Host MCU for multiple projects, and reducing the cost of development. Four tuning preferences are available to meet different tuning preference requirements.

## 4.2. FM Receiver

The Si4827-A10 integrates a low noise amplifier (LNA) supporting the worldwide FM broadcast band (64 to 109 MHz) and the TV audio stations within the frequency range in China area are also supported. The FM band can also be configured to be wider range such as 64–108 MHz in one band.

Pre-emphasis and de-emphasis is a technique used by FM broadcasters to improve the signal-to-noise ratio of FM receivers by reducing the effects of high frequency interference and noise. When the FM signal is transmitted, a pre-emphasis filter is applied to accentuate the high audio frequencies. All FM receivers incorporate a de-emphasis filter which attenuates high frequencies to restore a flat frequency response. Two time constants are used in various regions. The de-emphasis time constant can be chosen to be 50 or 75  $\mu$ s. Refer to "AN602: Si4822/26/27/40/44 Antenna, Schematic, Layout, and Design Guidelines."

## 4.3. AM Receiver

The highly integrated Si4827-A10 supports worldwide AM band reception from 504 to 1750 kHz with five sub-bands using a digital low-IF architecture with a minimum number of external components and no manual alignment required. This patented architecture allows for high-precision filtering, offering excellent selectivity and SNR with minimum variation across the AM band. Similar to the FM receiver, the Si4827-A10 optimizes sensitivity and rejection of strong interferers, allowing better reception of weak stations.

To offer maximum flexibility, the receiver supports a wide range of ferrite loop sticks from 180–450  $\mu$ H. An air loop antenna is supported by using a transformer to increase the effective inductance from the air loop. Using a 1:5 turn ratio inductor, the inductance is increased by 25 times and easily supports all typical AM air loop antennas, which generally vary between 10 and 20  $\mu$ H.

A 9, 10 kHz tuning step can be chosen by the external resistor or host MCU according to the different regions, and AM soft mute level can be programmed by the host MCU to have different tuning experiences. One of the AM bands can be configured as a universal AM band that simultaneously supports 9 kHz and 10 kHz channel spaces for all regional AM standards. Refer to "AN610: Si48xx ATDD Programming Guide" and "AN602: Si4822/26/27/40/44 Antenna, Schematic, Layout, and Design Guidelines" for more details.

## 4.4. SW Receiver

The Si4827 supports short wave band receptions from 2.3 to 28.5 MHz in 5 kHz step size increments. It can also be configured to have wide SW band that can be used in SW radio with 1 or 2 SW bands. The Si4827 supports extensive short wave features such as minimal discrete components and no factory adjustments. The Si4827 supports using the FM antenna to capture short wave signals. Refer to "AN610: Si48xx ATDD Programming Guide" and "AN602: Si4822/26/27/40/44 Antenna, Schematic, Layout, and Design Guidelines" for more details.

## 4.5. Frequency Tuning

A valid channel can be found by tuning the potentiometer that is connected to the TUNE1 and TUNE2 pin of the Si4827-A10 chip.

To offer easy tuning, the Si4827-A10 also outputs the tuned information to the MCU with LCD/LED driver to display. It will light up the icon on display if the RF signal quality passes a certain threshold when tuned to a valid station. Refer to "AN610: Si48xx ATDD Programming Guide" for more details.

## 4.6. Band Select

The Si4827-A10 supports worldwide AM band with five sub-bands, US/Europe/Japan/China FM band with five sub-bands, and SW band with 16 sub-bands. Si4827-A10 provides the flexibility to configure the band and band properties at either the MCU side or the tuner side, enabling masked MCU for multiple projects. For details on band selection, refer to "AN602: Si4822/26/27/40/44 Antenna, Schematic, Layout, and Design Guidelines" and "AN610: Si48xx ATDD Programming Guide".

## 4.7. Bass and Treble

The Si4827-A10 supports Bass/Treble tone control for superior sound quality. The Si4827-A10 can be set to be default normal, or programmed by the host MCU I<sup>2</sup>C-compatible 2-wire mode. FM has nine levels Bass/Treble effect and AM/SW has seven levels Bass/Treble effect. For further configuration details, refer to "AN610: Si48xx ATDD Programming Guide".

## 4.8. Volume Control

The Si4827-A10 not only allows users to use the traditional PVR wheel volume control through an external speaker amplifier, it also supports digital volume control programmed by the host MCU. Si4827-A10 can be programmed to be Bass/Treble mode only or digital volume mode only; it can also be programmed to have the digital volume coexist with Bass/Treble in two modes. Refer to "AN610: Si48xx ATDD Programming Guide" and "AN602: Si4822/26/27/40/44 Antenna, Schematic, Layout, and Design Guidelines" for more details.

## 4.9. High Fidelity DAC

High-fidelity digital-to-analog converters (DACs) drive analog audio signals onto the AOUT pin. The audio output may be muted.

## 4.10. Soft Mute

The soft mute feature is available to attenuate the audio outputs and minimize audible noise in very weak signal conditions. Advanced algorithm is implemented to get a better analog tuning experience. The soft mute feature is triggered by the SNR metric. The SNR threshold for activating soft mute is programmable, as are soft mute attenuation levels and attack and decay rates.

## 4.11. Reference Clock

The Si4827-A10 supports RCLK input (to XTALI pin) with the spec listed in Table 7. It can be shared with the host MCU to save extra crystal.

An onboard crystal oscillator is available to generate the 32.768 kHz reference when an external crystal and load capacitors are provided. Refer to "AN602: Si4822/26/27/40/44 Antenna, Schematic, Layout, and Design Guidelines" for more details.

## 4.12. Reset, Powerup, and Powerdown

Setting the RSTB pin low will disable analog and digital circuitry, reset the registers to their default settings, and disable the bus. Setting the RSTB pin high will bring the device out of reset.

Figure 1 shows typical reset, startup, and shutdown timings for the Si4827. RSTB must be held low (asserted) during any power supply transitions and kept asserted as specified in Figure 1 after the power supplies are ramped up and stable. Failure to assert RSTB as indicated here may cause the device to malfunction and may result in permanent device damage.

A powerdown mode is available to reduce power consumption when the part is idle. Putting the device in powerdown mode will disable analog and digital circuitry while keeping the bus active.

## 4.13. Memorizing Status

The Si4827-A10 provides the feature to memorize status from the last power down with a simple design on PCB, including frequency of the FM/AM/SW station. Refer to "AN602: Si4822/26/27/40/44 Antenna, Schematic, Layout, and Design Guidelines" for details.

## 4.14. Programming with Commands

To ease development time and offer maximum customization, the Si4827 provides a simple yet powerful software interface to program the receiver. The device is programmed using commands, arguments, properties, and responses.

To perform an action, the user writes a command byte and associated arguments, causing the chip to execute the given command. Commands control an action such as powerup the device, shut down the device, or get the current tuned frequency. Arguments are specific to a given command and are used to modify the command.

Properties are a special command argument used to modify the default chip operation and are generally configured immediately after powerup. Examples of properties are de-emphasis level and soft mute attenuation threshold.

Responses provide the user information and are echoed after a command and associated arguments are issued. All commands provide a 1-byte status update, indicating interrupt and clear-to-send status information.

For a detailed description of the commands and properties for the Si4827, see "AN610: Si48xx ATDD Programming Guide".

# Si4827-A10

## 5. Commands and Properties

**Table 11. Si4827-A10 FM Receiver Command Summary**

Cmd	Name	Description
0xE0	ATDD_GET_STATUS	Get tune freq, band and etc., status of the device.
0xE1	ATDD_POWER_UP	Power up device, band selection, and band properties setup.
0xE2	ATDD_AUDIO_MODE	Audio output mode: get/set audio mode and settings.
0x10	GET_REV	Returns the revision information of the device.
0x11	POWER_DOWN	Power down device.
0x12	SET_PROPERTY	Sets the value of a property.
0x13	GET_PROPERTY	Retrieve a property's value.

**Note:** The Si4827 has its own power up and get status commands which are different from previous si47xx tuner parts. To differentiate, we use "ATDD\_POWER\_UP" and ATDD\_GET\_STATUS to denote the ATDD specific commands instead of the general si47xx "POWER\_UP" and "STATUS" commands.

**Table 12. Si4827-A10 FM Receiver Property Summary**

Prop	Name	Description	Default
0x0201	REFCLK_FREQ	Sets frequency of reference clock in Hz. The range is 31130 to 34406 Hz, or 0 to disable the AFC. Default is 32768 Hz.	0x8000
0x0202	REFCLK_PRESCALE	Sets the prescaler value for RCLK input.	0x0001
0x1100	FM_DEEMPHASIS	Sets deemphasis time constant. Default is 75 $\mu$ s.	0x0002
0x1300	FM_SOFT_MUTE_RATE	Sets the attack and decay rates when entering and leaving soft mute.	0x0040
0x1301	FM_SOFT_MUTE_SLOPE	Configures attenuation slope during soft mute in dB attenuation per dB SNR below the soft mute SNR threshold. Default value is 2.	0x0002
0x1302	FM_SOFT_MUTE_MAX_ATTENUATION	Sets maximum attenuation during soft mute (dB). Set to 0 to disable soft mute. Default is 16 dB.	0x0010
0x1303	FM_SOFT_MUTE_SNR_THRESHOLD	Sets SNR threshold to engage soft mute. Default is 4 dB.	0x0004
0x4000	RX_VOLUME	Sets the output volume.	0x003F
0x4001	RX_HARD_MUTE	Mutes the audio output. L and R audio outputs may be muted independently.	0x0000
0x4002	RX_BASS_TREBLE	Sets the output bass/treble level.	0x0004
0x4003	RX_ACTUAL_VOLUME	Read the actual output volume.	0x003F



Table 13. Si4827-A10 AM/SW Receiver Command Summary

Cmd	Name	Description
0xE0	ATDD_GET_STATUS	Get tune freq, band and etc status of the device
0xE1	ATDD_POWER_UP	Power up device, band selection, and band properties setup
0xE2	ATDD_AUDIO_MODE	Audio output mode: get/set audio mode settings.
0x10	GET_REV	Returns the revision information of the device.
0x11	POWER_DOWN	Power down device.
0x12	SET_PROPERTY	Sets the value of a property.
0x13	GET_PROPERTY	Retrieve a property's value.

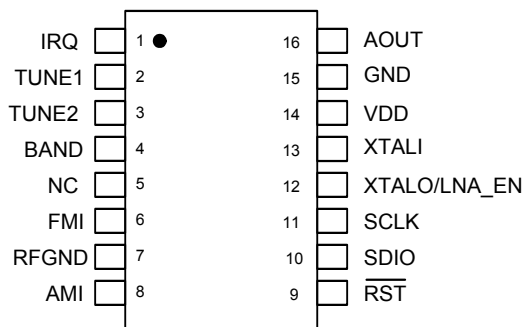
**Note:** The Si4827 has its own power up and get status commands which are different from previous si47xx tuner parts. To differentiate, we use "ATDD\_POWER\_UP" and ATDD\_GET\_STATUS to denote the ATDD specific commands instead of the general Si47xx "POWER\_UP" and "STATUS" commands.

Table 14. Si4827-A10 AM/SW Receiver Property Summary

Prop	Name	Description	Default
0x0201	REFCLK_FREQ	Sets frequency of reference clock in Hz. The range is 31130 to 34406 Hz, or 0 to disable the AFC. Default is 32768 Hz.	0x8000
0x0202	REFCLK_PRESCALE	Sets the prescaler value for RCLK input.	0x0001
0x4000	RX_VOLUME	Sets the output volume.	0x003F
0x4001	RX_HARD_MUTE	Mutes the audio output. L and R audio outputs may be muted independently.	0x0000
0x4002	RX_BASS_TREBLE	Sets the output bass/treble level.	0x0003
0x4003	RX_ACTUAL_VOLUME	Read the actual output volume.	0x003F
0x3300	AM_SOFT_MUTE_RATE	Sets the attack and decay rates when entering and leaving soft mute.	0x0040
0x3301	AM_SOFT_MUTE_SLOPE	Configures attenuation slope during soft mute in dB attenuation per dB SNR below the soft mute SNR threshold.	0x0002.,
0x3302	AM_SOFT_MUTE_MAX_ATTENUATION	Sets maximum attenuation during soft mute (dB). Set to 0 to disable soft mute.	0x0010
0x3303	AM_SOFT_MUTE_SNR_THRESHOLD	Sets SNR threshold to engage soft mute.	0x0008

# Si4827-A10

## 6. Pin Descriptions: Si4827-A10



Pin Number(s)	Name	Description
1	IRQ	Interrupt request.
2	TUNE1	Frequency tuning.
3	TUNE2	Frequency tuning.
4	BAND	Band selection and de-emphasis selection.
5	NC	No connect. Leave floating.
6	FMI	FM RF inputs. FMI should be connected to the antenna trace.
7	RFGND	RF ground. Connect to ground plane on PCB.
8	AMI	AM RF input. AMI should be connected to the AM antenna.
9	$\overline{\text{RST}}$	Device reset (active low) input.
10,	SDIO	Serial data input/output.
11	SCLK	Serial clock input.
12	XTALO/LNA_EN	Crystal oscillator output, enable the SW external LNA in SW mode when not used as XTALO.
13,	XTALI	Crystal oscillator input/external reference clock input
14	VDD	Supply voltage. May be connected directly to battery.
15	GND	Ground. Connect to ground plane on PCB.
16	AOUT	Audio output.

## 7. Ordering Guide

Part Number <sup>1,2</sup>	Description	Package Type	Operating Temperature/Voltage
Si4827-A10-CS	AM/FM/SW Broadcast Analog Tune Digital Display Radio Receiver	16L SOIC Pb-free	0 to 70 °C 2.0 to 3.6 V

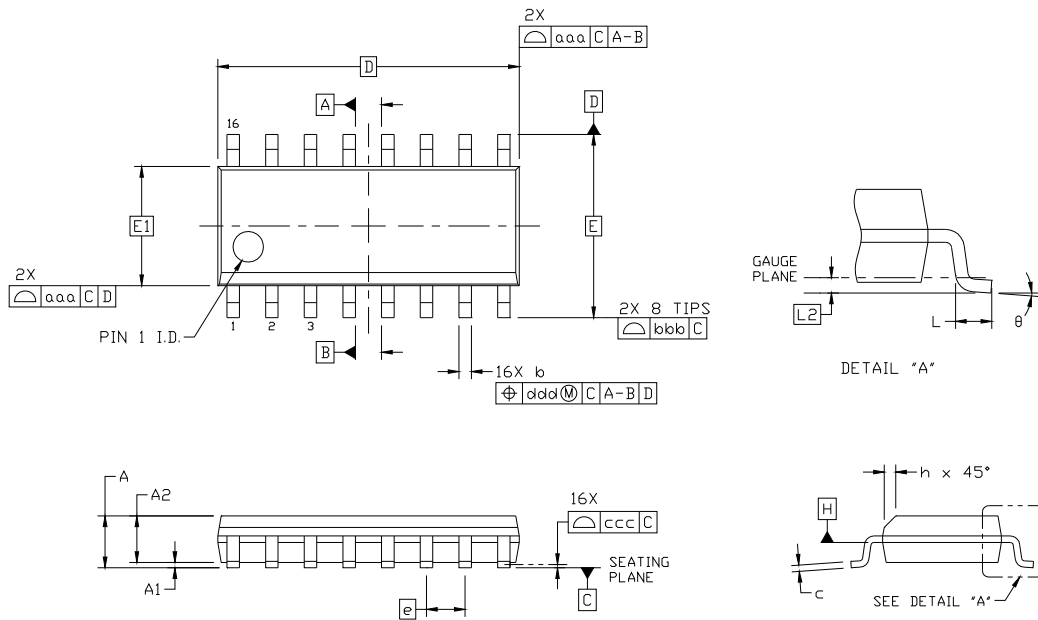
**Notes:**

1. Add an "(R)" at the end of the device part number to denote tape and reel option. The devices will typically operate at 25 °C with degraded specifications for  $V_{DD}$  voltage ramped down to 2.0 V.
2. The -C suffix in the part number indicates Consumer Grade product. Visit [www.silabs.com](http://www.silabs.com) to get more information on product grade specifications.

# Si4827-A10

## 8. Package Outline: Si4827-A10

The 16-pin SOIC illustrates the package details for the Si4827-A10. Table 15 lists the values for the dimensions shown in the illustration.



**Figure 5. 16-Pin SOIC**

**Table 15. Package Dimensions**

Dimension	Min	Max
A	—	1.75
A1	0.10	0.25
A2	1.25	—
b	0.31	0.51
c	0.17	0.25
D	9.90 BSC	
E	6.00 BSC	
E1	3.90 BSC	
e	1.27 BSC	
L	0.40	1.27
L2	0.25 BSC	
h	0.25	0.50
θ	0°	8°
aaa	0.10	
bbb	0.20	
ccc	0.10	
ddd	0.25	

**Notes:**

1. All dimensions shown are in millimeters (mm) unless otherwise noted.
2. Dimensioning and Tolerancing per ANSI Y14.5M-1994.
3. This drawing conforms to the JEDEC Solid State Outline MS-012, Variation AC.
4. Recommended card reflow profile is per the JEDEC/IPC J-STD-020 specification for Small Body Components.

## 9. PCB Land Pattern: Si4827-A10

Figure 6 illustrates the PCB land pattern details for the Si4827-A10-CS SOIC. Table 16 lists the values for the dimensions shown in the illustration.

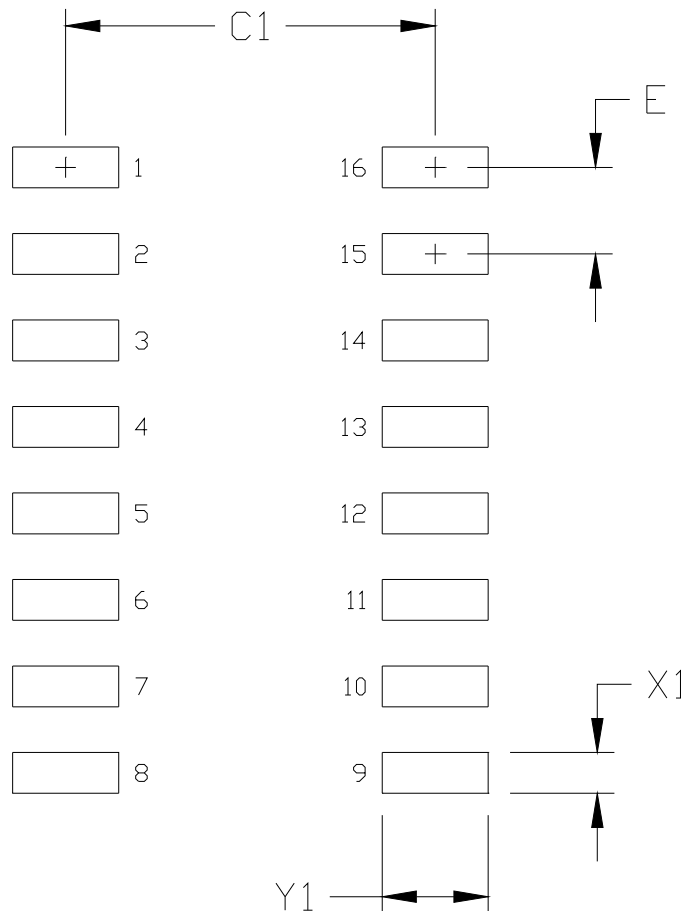


Figure 6. PCB Land Pattern

Table 16. PCB Land Pattern Dimensions

Dimension	Feature	(mm)
C1	Pad Column Spacing	5.40
E	Pad Row Pitch	1.27
X1	Pad Width	0.60
Y1	Pad Length	1.55

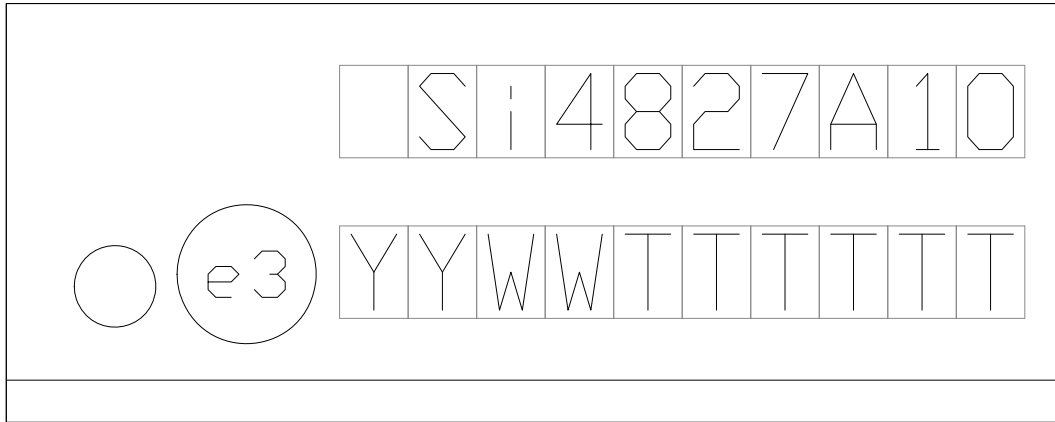
**Notes:**

1. This Land Pattern Design is based on IPC-7351 pattern SOIC127P600X165-16N for Density Level B (Median Land Protrusion).
2. All feature sizes shown are at Maximum Material Condition (MMC) and a card fabrication tolerance of 0.05 mm is assumed.

# Si4827-A10

## 10. Top Markings

### 10.1. Si4827-A10 Top Marking



### 10.2. Top Marking Explanation

<b>Mark Method:</b>	Laser	
<b>Pin 1 Mark:</b>	Mold Dimple (Bottom-Left Corner)	
<b>Font Size:</b>	0.71 mm (2.0 Point) Right-Justified	
<b>Line 1 Marking:</b>	Customer Part Number	Si4827A10
<b>Line 2 Marking:</b>	Circle = 1.3 mm Diameter	"e3" Pb-Free Symbol
	YY = Year WW = Work week	Assigned by the Assembly House. Corresponds to the year and work week of the mold date.
	TTTTTT = Manufacturing code	Manufacturing Code from the Assembly Purchase Order form.

## 11. Additional Reference Resources

Contact your local sales representatives for more information or to obtain copies of the following references:

- AN602: Si4822/26/27/40/44 Antenna, Schematic, Layout, and Design Guidelines
- AN603: Si4822/26/27/40/44-DEMO Board Test Procedure
- Si4827-DEMO Board User's Guide
- AN610: Si48xx ATDD Programming Guide

## DOCUMENT CHANGE LIST

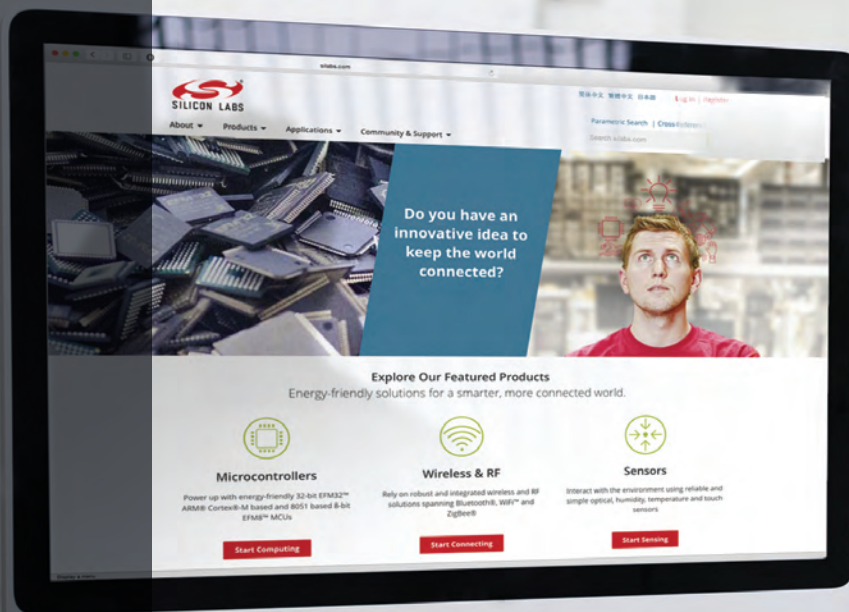
### Revision 0.1 to Revision 0.8

- Updated "Features"
- Added ambient temperature range to "Table 1. Recommended Operating Conditions"
- Updated Table 6, "AM/SW Receiver Characteristics"
- Updated Table 7, "Reference Clock and Crystal Characteristics"
- Updated Section "2. Typical Application Schematic"
- Updated Section "4.3. AM Receiver"
- Updated Section "4.7. Bass and Treble"
- Updated Section 6 "Pin Descriptions: Si4827-A10"
- Updated Section "8. Package Outline: Si4827-A10"

### Revision 0.8 to Revision 1.0

- Updated Table 3. "Reset Timing Characteristics"
- Updated "Pin Assignment"
- Inserted Section 4.12. "Reset, Powerup, and Powerdown"

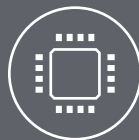




Smart.  
Connected.  
Energy-Friendly



**Products**  
[www.silabs.com/products](http://www.silabs.com/products)



**Quality**  
[www.silabs.com/quality](http://www.silabs.com/quality)



**Support and Community**  
[community.silabs.com](http://community.silabs.com)

#### Disclaimer

Silicon Laboratories intends to provide customers with the latest, accurate, and in-depth documentation of all peripherals and modules available for system and software implementers using or intending to use the Silicon Laboratories products. Characterization data, available modules and peripherals, memory sizes and memory addresses refer to each specific device, and "Typical" parameters provided can and do vary in different applications. Application examples described herein are for illustrative purposes only. Silicon Laboratories reserves the right to make changes without further notice and limitation to product information, specifications, and descriptions herein, and does not give warranties as to the accuracy or completeness of the included information. Silicon Laboratories shall have no liability for the consequences of use of the information supplied herein. This document does not imply or express copyright licenses granted hereunder to design or fabricate any integrated circuits. The products must not be used within any Life Support System without the specific written consent of Silicon Laboratories. A "Life Support System" is any product or system intended to support or sustain life and/or health, which, if it fails, can be reasonably expected to result in significant personal injury or death. Silicon Laboratories products are generally not intended for military applications. Silicon Laboratories products shall under no circumstances be used in weapons of mass destruction including (but not limited to) nuclear, biological or chemical weapons, or missiles capable of delivering such weapons.

#### Trademark Information

Silicon Laboratories Inc., Silicon Laboratories, Silicon Labs, SiLabs and the Silicon Labs logo, CMEMS®, EFM, EFM32, EFR, Energy Micro, Energy Micro logo and combinations thereof, "the world's most energy friendly microcontrollers", Ember®, EZLink®, EZMac®, EZRadio®, EZRadioPRO®, DSPLL®, ISOmodem®, Precision32®, ProSLIC®, SiPHY®, USBXpress® and others are trademarks or registered trademarks of Silicon Laboratories Inc. ARM, CORTEX, Cortex-M3 and THUMB are trademarks or registered trademarks of ARM Holdings. Keil is a registered trademark of ARM Limited. All other products or brand names mentioned herein are trademarks of their respective holders.



Silicon Laboratories Inc.  
400 West Cesar Chavez  
Austin, TX 78701  
USA

<http://www.silabs.com>