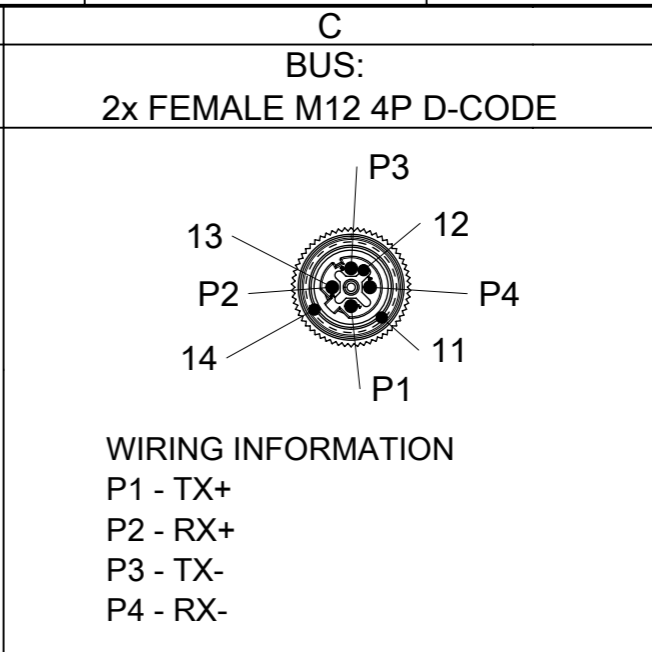
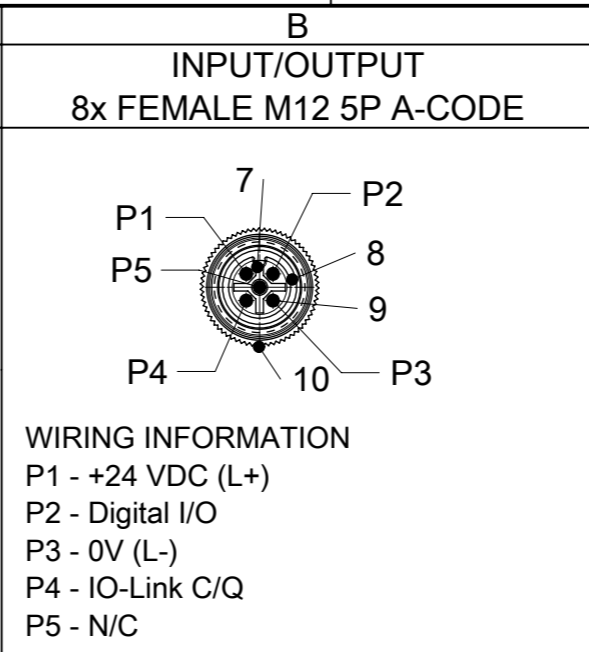
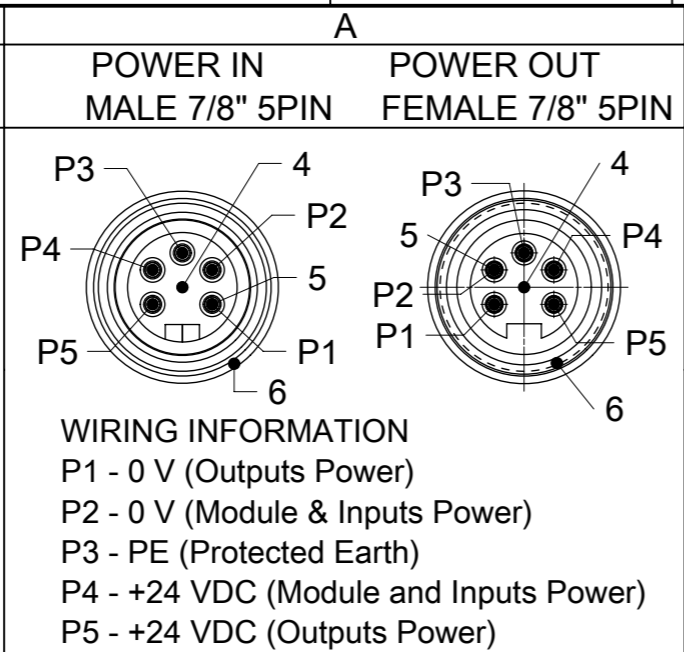
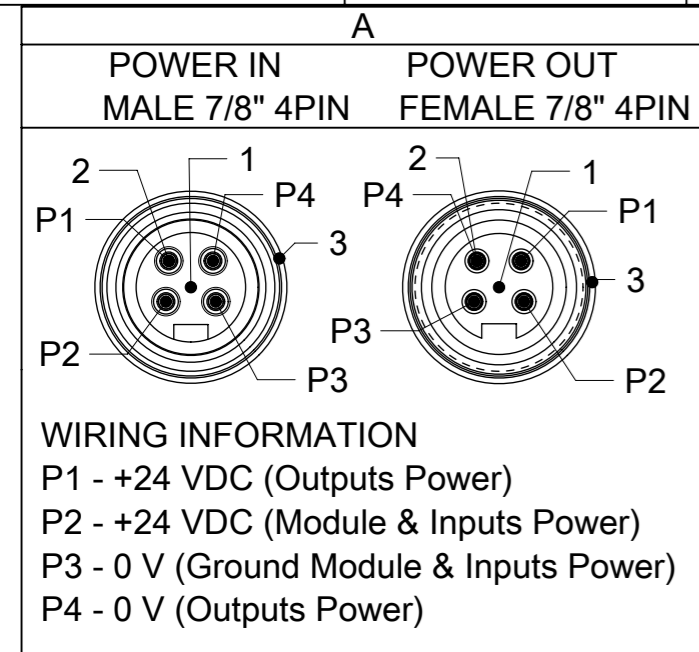


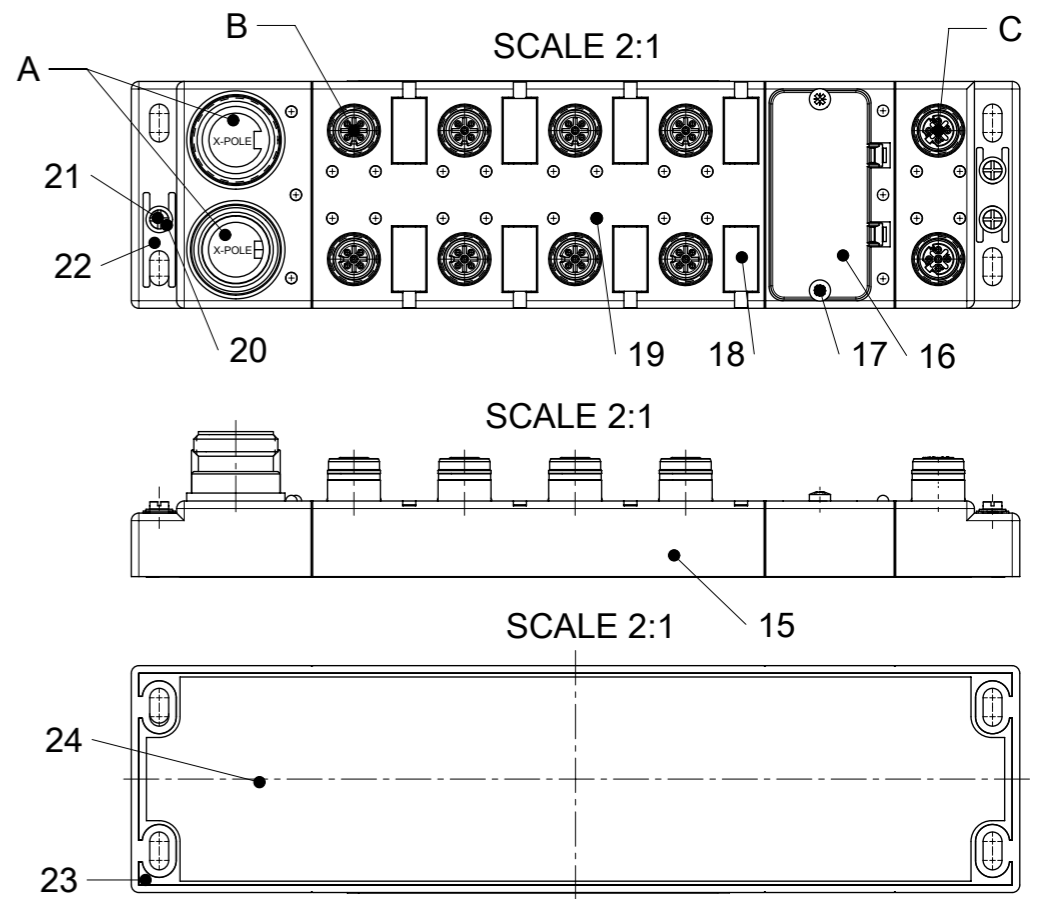
SCALE 1:2

THIS DRAWING CONTAINS INFORMATION THAT IS PROPRIETARY TO MOLEX ELECTRONIC TECHNOLOGIES, LLC AND SHOULD NOT BE USED WITHOUT WRITTEN PERMISSION												
QUALITY SYMBOLS ▽A = 0 ▽E = 0 ▽F = 0 ▼ = 0 ▽C = 0 ⊗ = 0 ■ = 0 ▽ = 0	EC NO: 107817 DRWN: ULETTENMEIER CHK'D: APPR: RSILLER	2016/08/24 2016/08/25	GENERAL TOLERANCES (UNLESS SPECIFIED)		DIMENSION UNITS	SCALE						
			ANGULAR TOL ± °		MM	1:1						
			4 PLACES ±	AAHLERS		DATE		HARSHIO IO-LINK MASTER 8X IO-LINK+8X DIO 4/5 PIN				
			3 PLACES ±	DATE		2015/10/19						
			2 PLACES ±	APPR BY		DATE		PRODUCT CUSTOMER DRAWING				
1 PLACE ± 0.3	RSILLER		2016/03/10									
0 PLACES ± 0.5	DRAFT WHERE APPLICABLE MUST REMAIN WITHIN DIMENSIONS		DRAWING SIZE	THIRD ANGLE PROJECTION	SERIES	MATERIAL NUMBER	CUSTOMER					
			A3		112095	SEE TABLE 1	GENERAL MARKET					
					DOCUMENT NUMBER	DOC TYPE	DOC PART	SHEET NUMBER				
					1120955119	PSD	000	1 OF 3				



BILL OF MATERIAL

ITEM	DESCRIPTION	MATERIAL	FINISH
1	INSERT	TPE	YELLOW
2	CONTACT	BRASS ALLOY	GOLD OVER NICKEL
3	SHELL	BRASS	NICKEL PLATED
4	INSERT	TPE	YELLOW
5	CONTACT	BRONZE ALLOY	GOLD OVER NICKEL
6	SHELL	BRASS	NICKEL PLATED
7	INSERT	TPU	BLACK
8	GASKET	FPM	RED
9	CONTACT	BRASS	GOLD OVER NICKEL
10	SHELL	BRASS	NICKEL PLATED
11	SHELL	BRASS	NICKEL PLATED
12	INSERT	TPU	BLACK
13	CONTACT	BRASS	GOLD OVER NICKEL
14	GASKET	EPDM	VIOLETT
15	HOUSING	PBT	BLACK
16	WINDOW	PC	TRANSPARENT
17	SCREW	V4A	V4A
18	LABEL	PC	WHITE
19	FIBER OPTIC	PA	TRANSPARENT
20	WASHER	BRASS	NICKEL PLATED
21	SCREW	V2A	V2A
22	SHIELD PLATE	STAINLESS STEEL	STAINLESS STEEL
23	RESIN	EPOXY	TRANSPARENT
24	LABEL	PVC	WHITE



THIS DRAWING CONTAINS INFORMATION THAT IS PROPRIETARY TO MOLEX ELECTRONIC TECHNOLOGIES, LLC AND SHOULD NOT BE USED WITHOUT WRITTEN PERMISSION

QUALITY SYMBOLS A = 0 E = 0 F = 0 G = 0 H = 0 I = 0 J = 0 K = 0 L = 0 M = 0 N = 0 O = 0	EC NO: 107817 DRWN: ULETTENMEIER CHK'D: APPR: RSILLER	2016/08/24 2016/08/25	GENERAL TOLERANCES (UNLESS SPECIFIED) ANGULAR TOL ± ° 4 PLACES ± 3 PLACES ± 2 PLACES ± 1 PLACE ± 0.3 0 PLACES ± 0.5	DIMENSION UNITS: MM SCALE: 1:1 DRWN BY: AAHLERS DATE: 2015/10/19 CHK'D BY: DATE: APPR BY: RSILLER DATE: 2016/03/10	 HARSHIO IO-LINK MASTER 8X IO-LINK+8X DIO 4/5 PIN PRODUCT CUSTOMER DRAWING SERIES: 112095 MATERIAL NUMBER: SEE TABLE 1 CUSTOMER: GENERAL MARKET DOCUMENT NUMBER: 1120955119 DOC TYPE: PSD DOC PART: 000 SHEET NUMBER: 2 OF 3
	DRAFT WHERE APPLICABLE MUST REMAIN WITHIN DIMENSIONS	DIMENSION UNITS: A3 THIRD ANGLE PROJECTION			
	RELEASE STATUS: P1 RELEASE DATE: 25.08.2016 08:39:04	DATE: 2015/09/04			
	DATE: 2015/09/04				

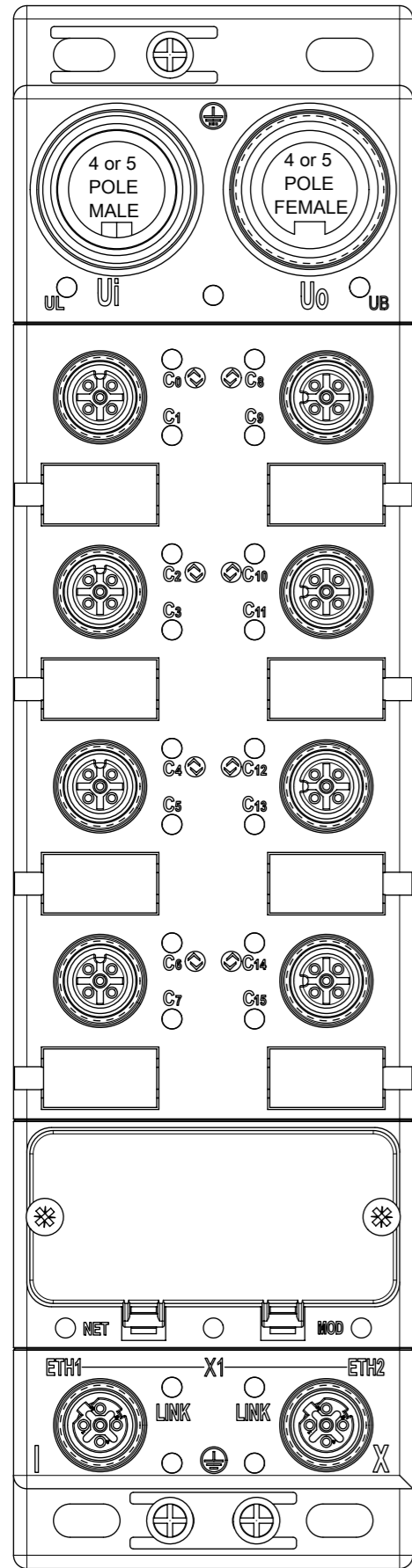


TABLE 1					
HARSHIO IO-Link Master 8x IO-Link + 8x DIO 4/5 PIN					3D MODEL NO.
POWER TYPE	INPUT/OUTPUT		ENG. NO	FIELD BUS	
7/8" 5 POLE	8x IO-LINK	8x DIO	TCIEP-888P-D1U	PROFINET	1120955119
			TCIEI-888P-D1U	EtherNet/IP	1120955121
TCIEP-888P-DYU			PROFINET	1120955120	
TCIEI-888P-DYU			EtherNet/IP	1120955122	
7/8" 4 POLE					1120955119 (PDM)

QUALITY SYMBOLS	THIS DRAWING CONTAINS INFORMATION THAT IS PROPRIETARY TO MOLEX ELECTRONIC TECHNOLOGIES, LLC AND SHOULD NOT BE USED WITHOUT WRITTEN PERMISSION											
▽A = 0	EC NO: 107817 DRWN: ULETTENMEIER CHK'D: REV APPR: RSILLER	2016/08/24 2016/08/25	GENERAL TOLERANCES (UNLESS SPECIFIED)		DIMENSION UNITS	SCALE						
▽E = 0			ANGULAR TOL ± °		MM	1:1						
▽F = 0			4 PLACES ±	DRWN BY	DATE	AAHLERS 2015/10/19						
▽ = 0					3 PLACES ±	CHK'D BY	DATE	HARSHIO IO-LINK MASTER 8X IO-LINK+8X DIO 4/5 PIN PRODUCT CUSTOMER DRAWING				
▽C = 0					2 PLACES ±	APPR BY	DATE					
▽ = 0					1 PLACE ± 0.3	RSILLER	2016/03/10					
▽ = 0					0 PLACES ± 0.5	DRAWING SIZE	THIRD ANGLE PROJECTION	SERIES	MATERIAL NUMBER	CUSTOMER		
▽ = 0					DRAFT WHERE APPLICABLE MUST REMAIN WITHIN DIMENSIONS	A3		112095	SEE TABLE 1	GENERAL MARKET		
▽ = 0								DOCUMENT NUMBER	DOC TYPE	DOC PART	SHEET NUMBER	
								1120955119	PSD	000	3 OF 3	