

5

4

3

2

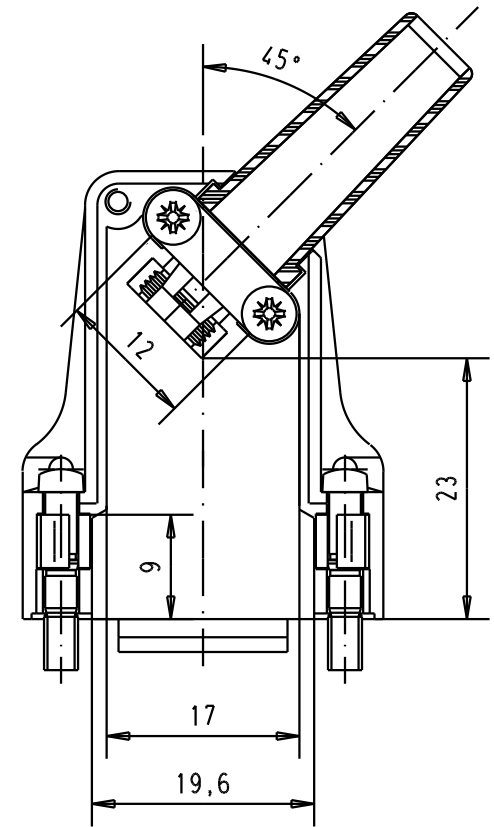
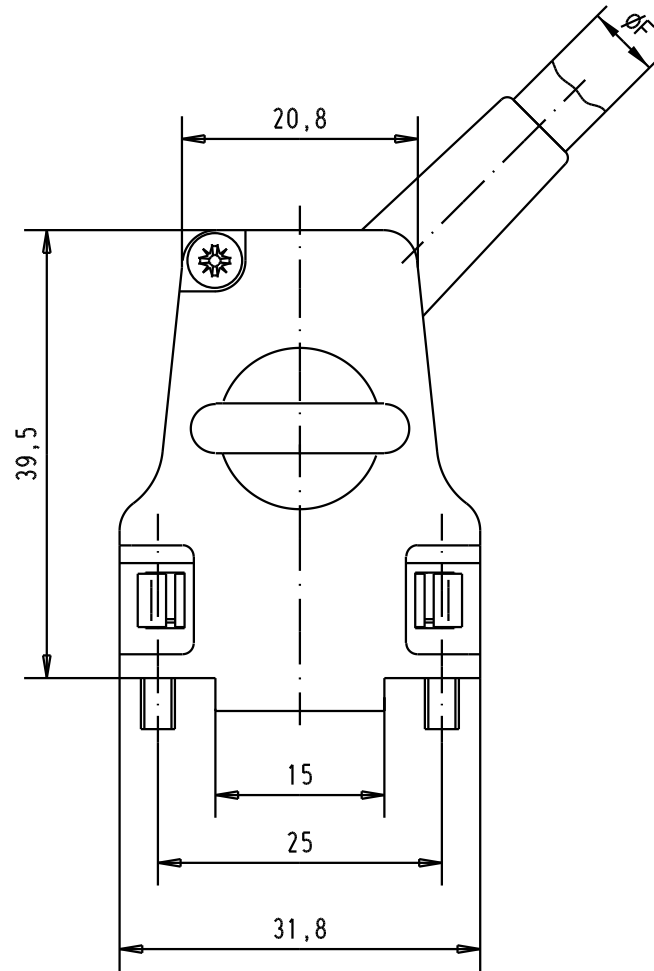
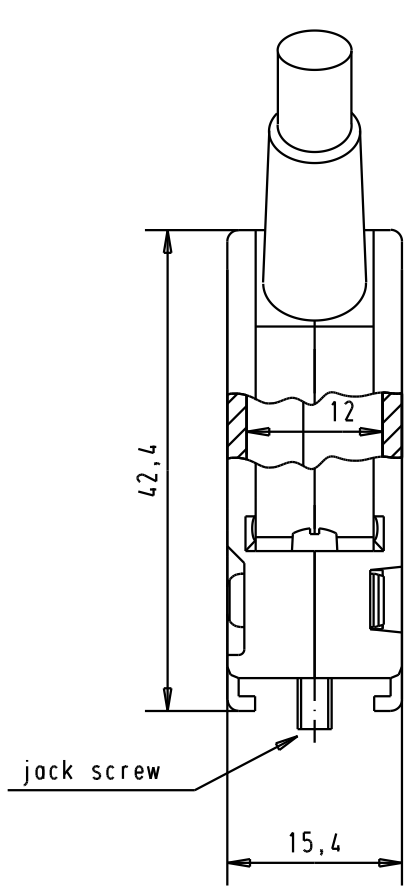
1

D

C

B

A



with rubber bushing: $\varnothing F_{max}=6,5$
 without rubber bushing: $\varnothing F_{min}=3$
 $\varnothing F_{max}=9,5$

					Dat. Name Detail. 13/09/05 JMDR		All Dim. in mm Orig. Size DIN A 4	D-Sub, Right angled metal hood 9 poles	Maßstab/ Scale 1.5:1
					Insp.				
					Stand.				
09 67 009 0335 M3						HARTING EURL F-95972 Paris		TB 0967009033X	
09 67 009 0334 4-40 UNC		33096 13/09/05 JMDR							
Part number Jack screw thread		Mod. Dat. Name						Sub.	