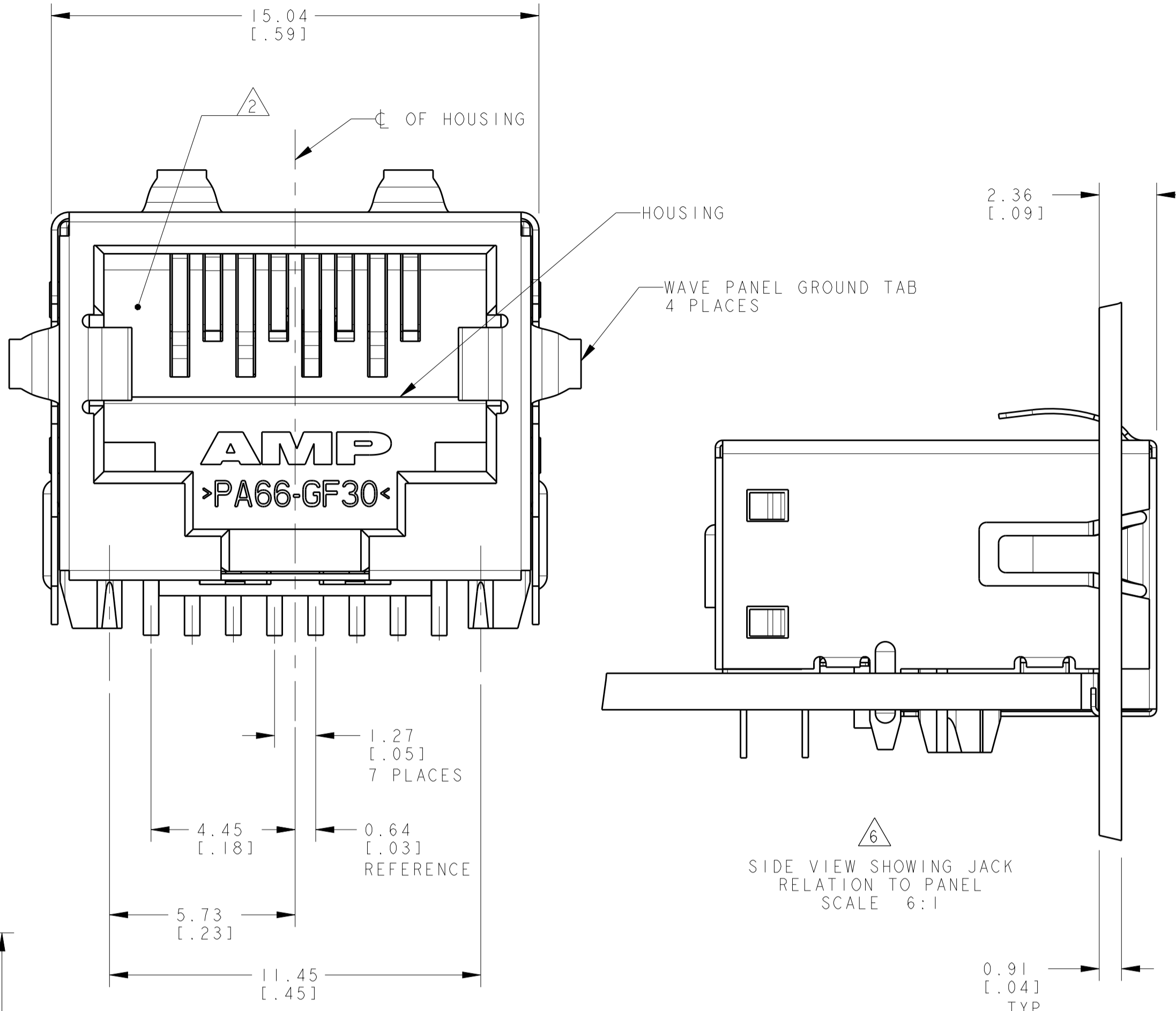
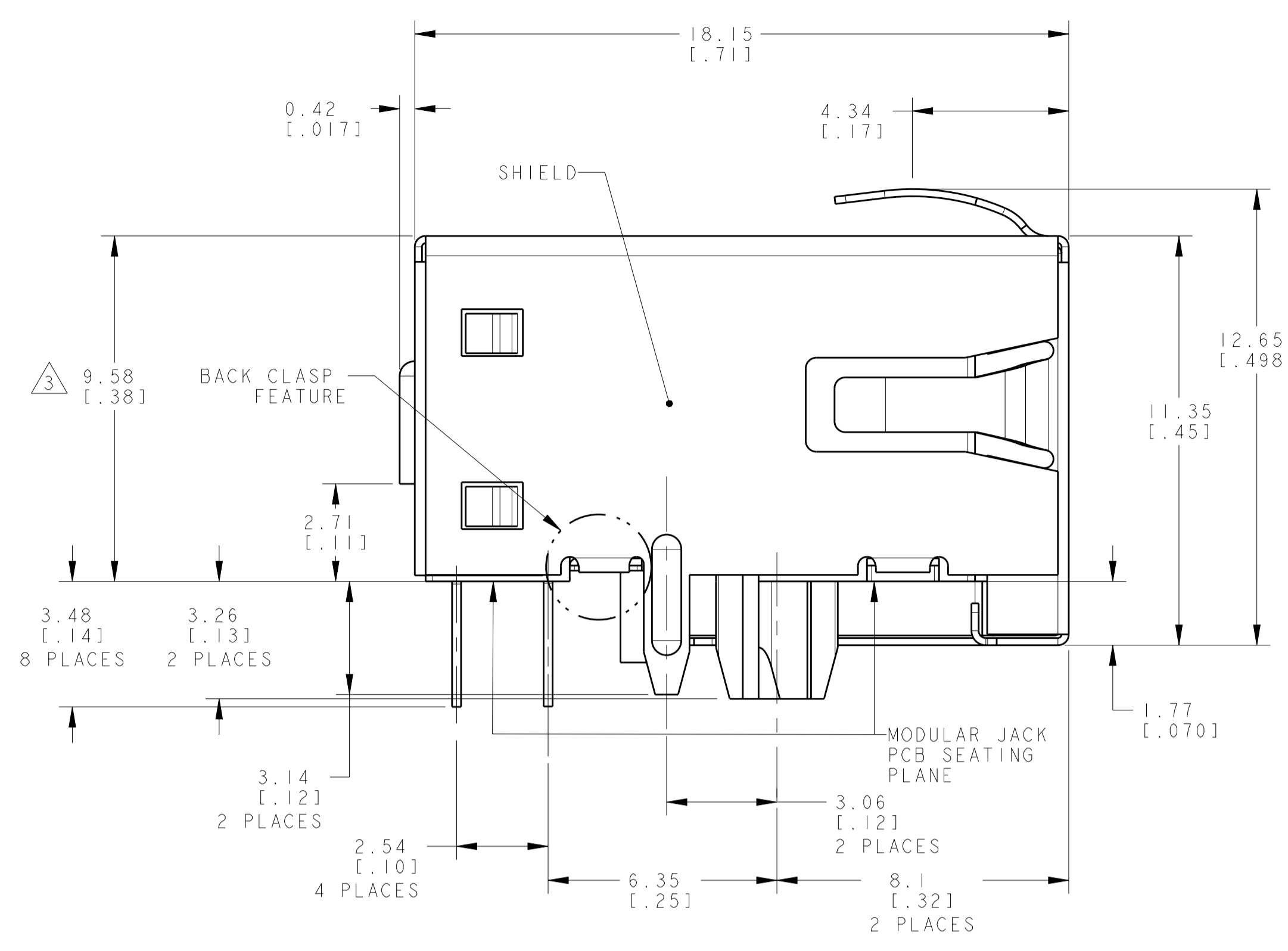
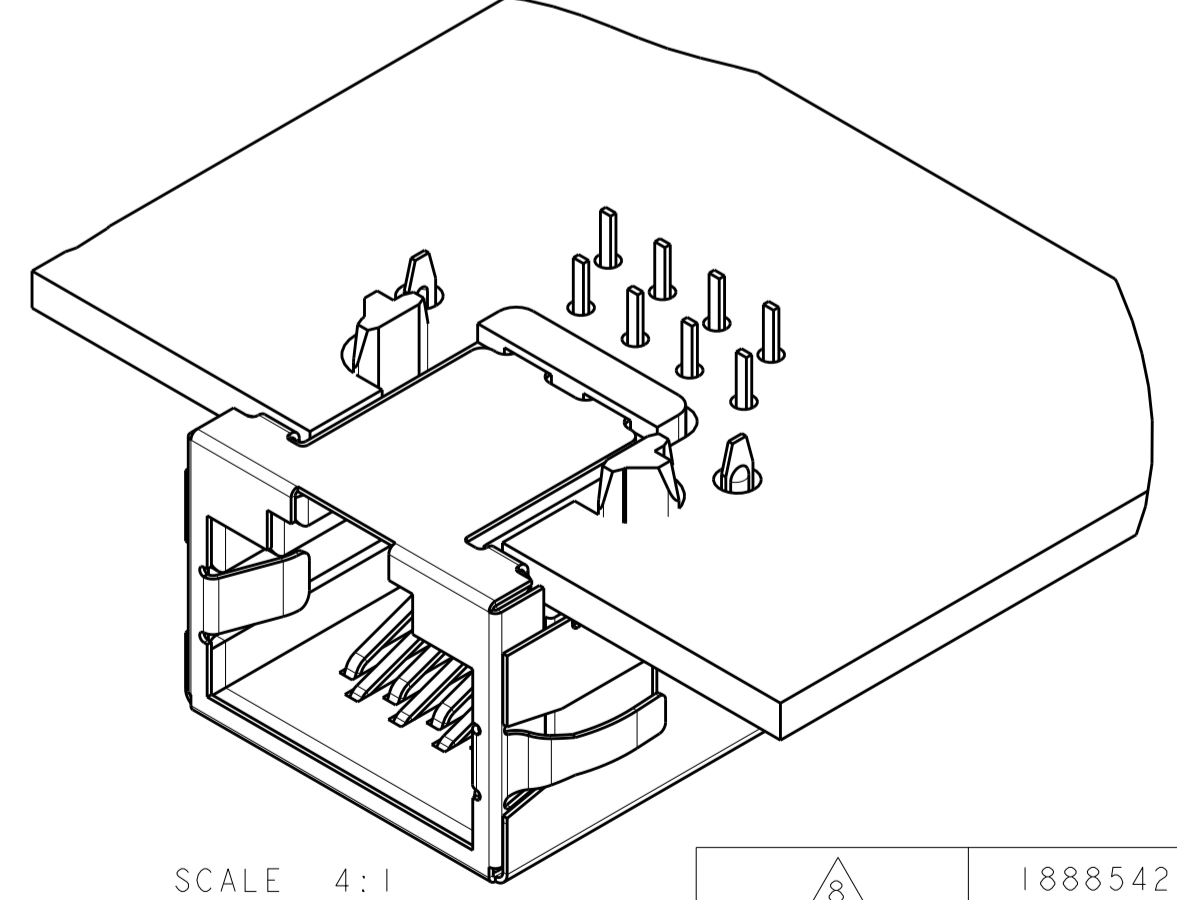
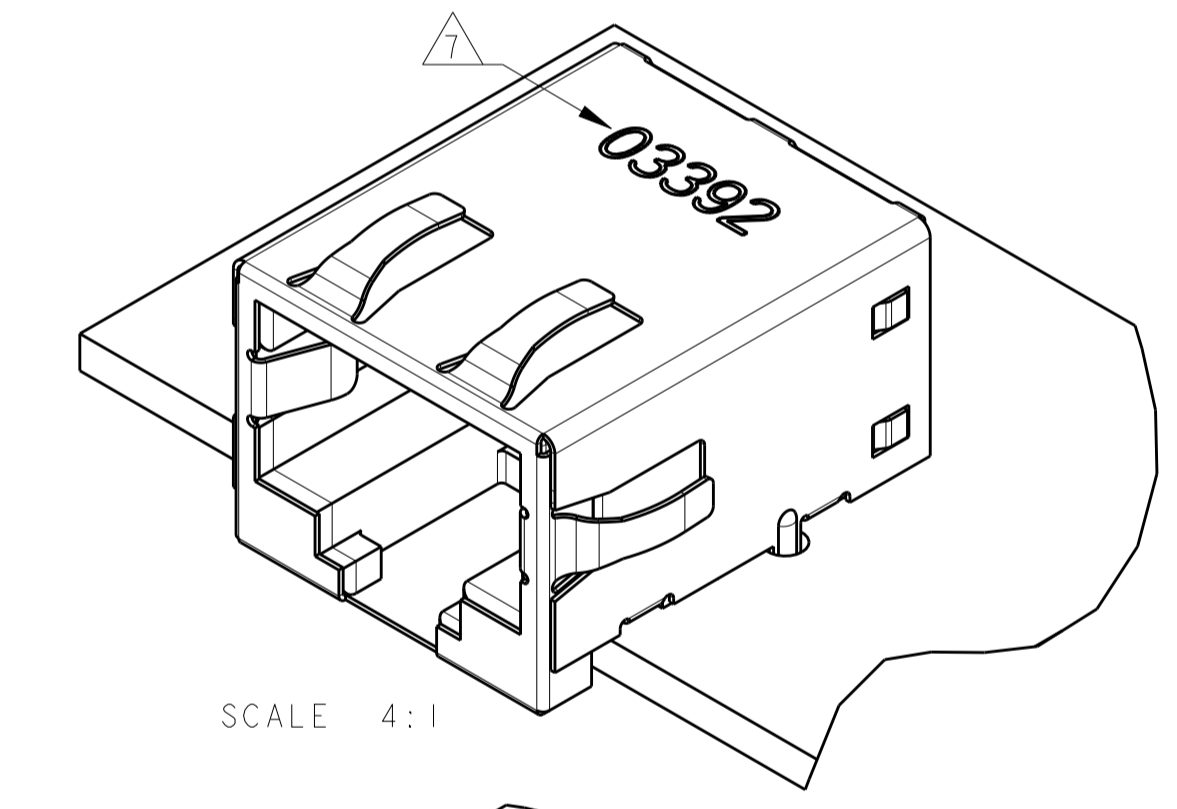
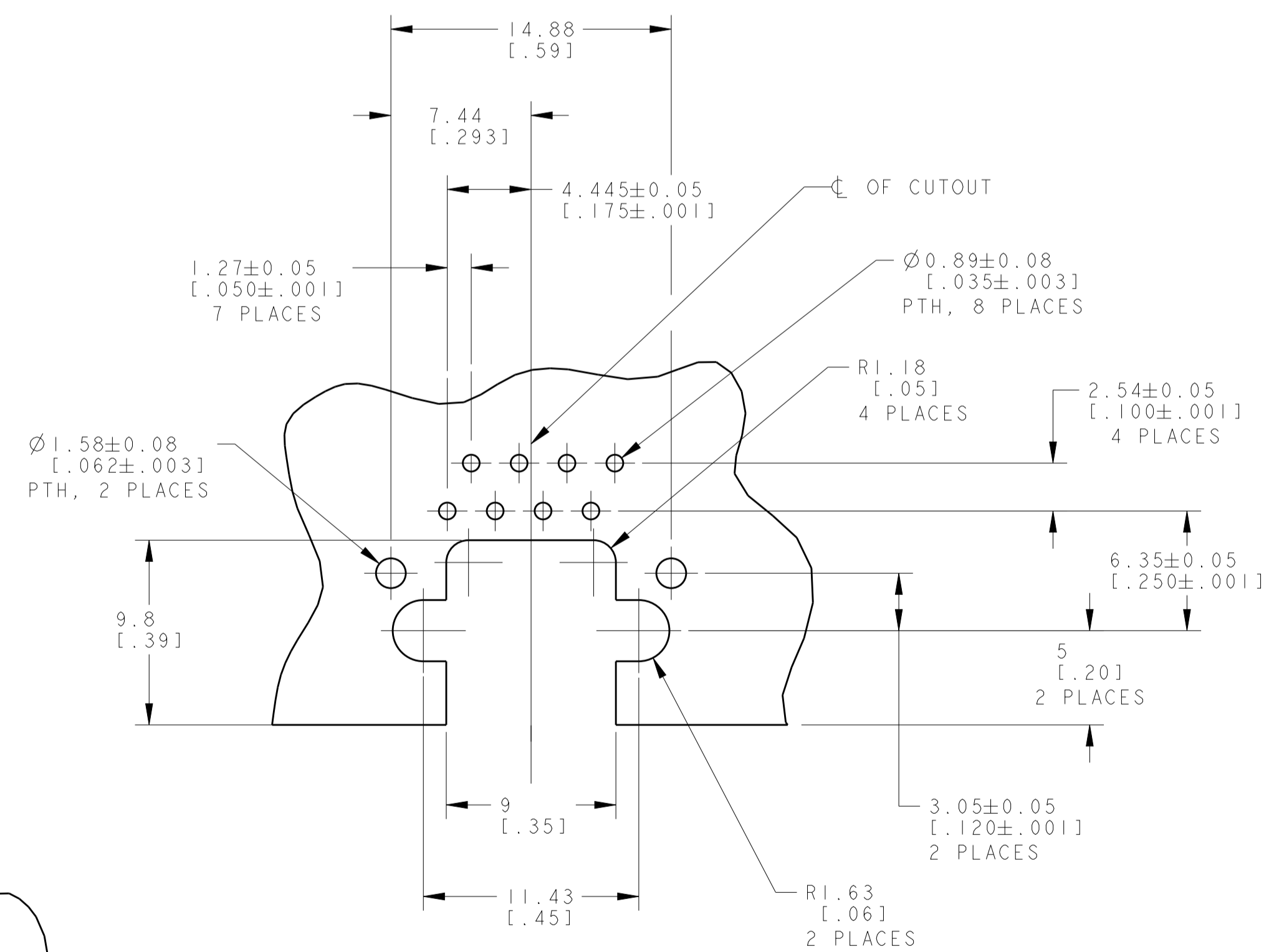
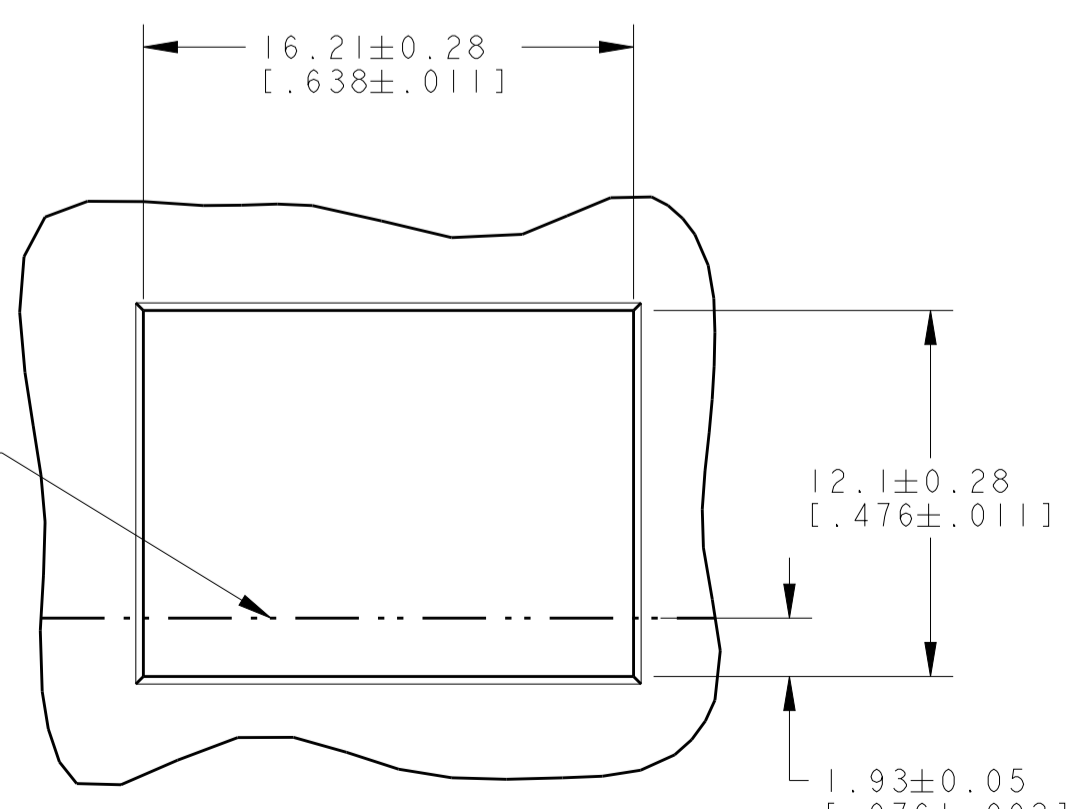
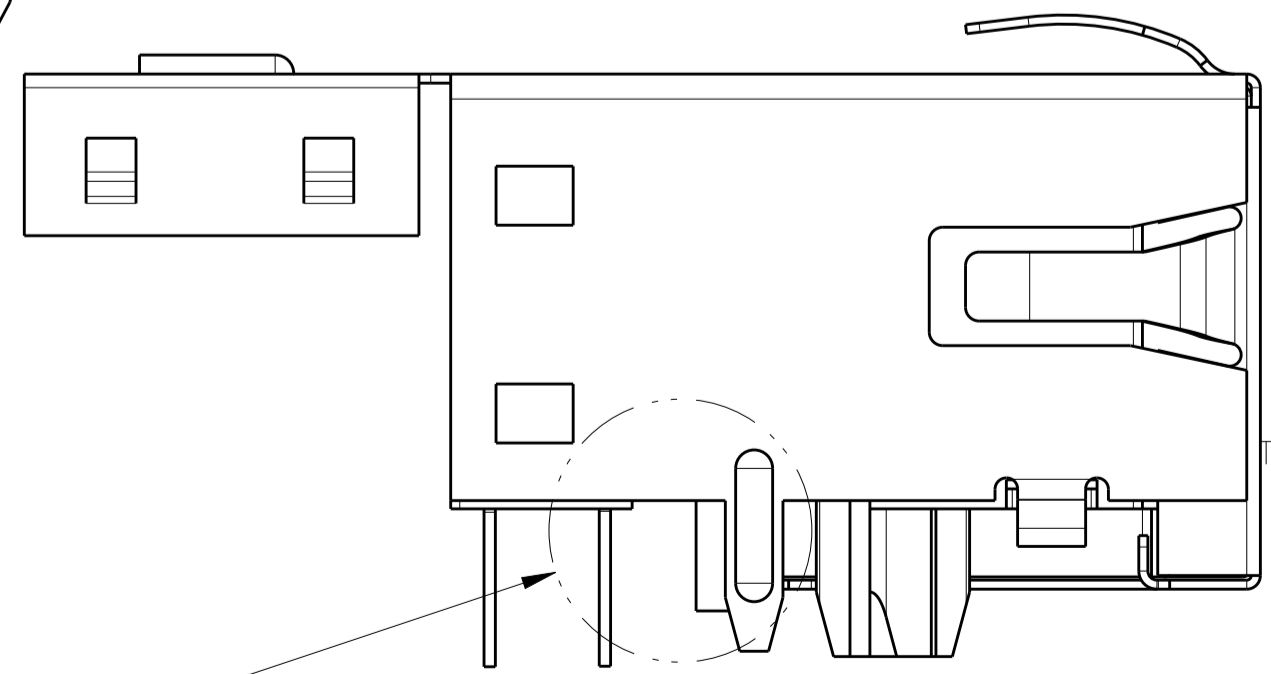
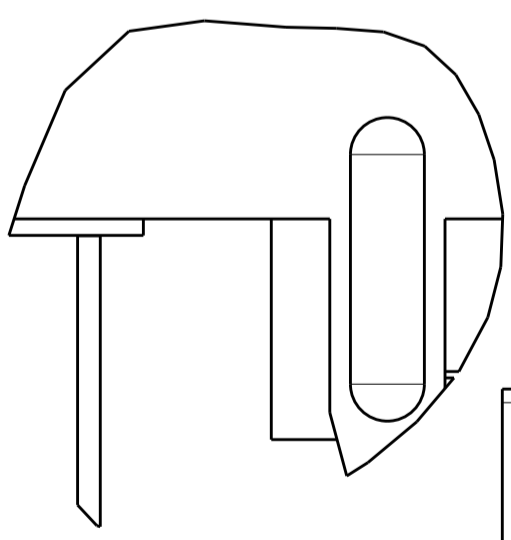
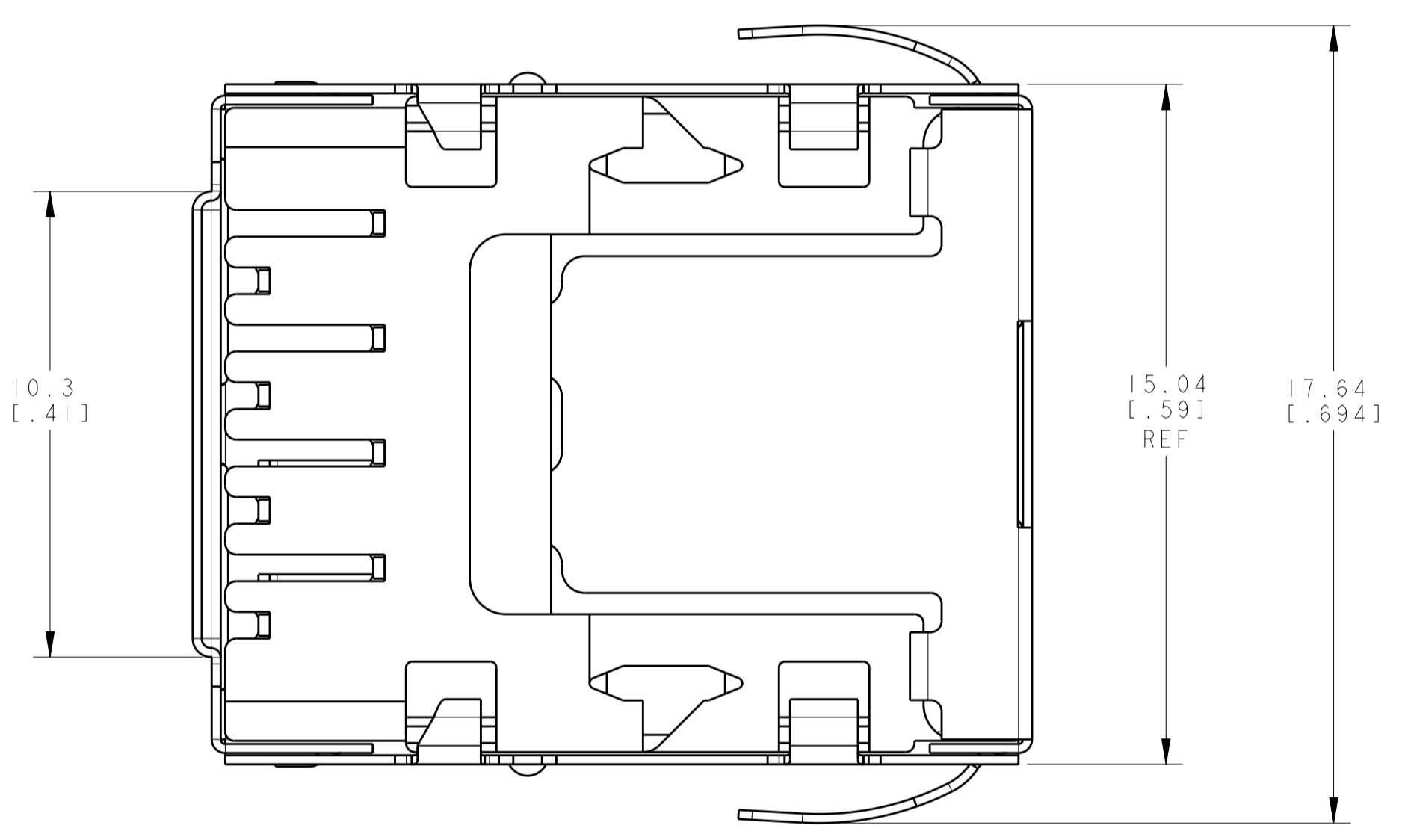


REVISIONS				
P.	LTN.	DESCRIPTION	DATE	DWN. APVD.
C		REVISE PER ECO-14-015233	27APR2015	LL SH



- 1. MATERIAL: HOUSING - HIGH TEMPERATURE NYLON, BLACK, UL 94V-0 TERMINALS - 0.25[.01] THICK PHOS BRONZE PLATED WITH 3.81µm[.000150] MINIMUM THICK MATTE TIN IN SOLDER AREA, 1.27µm[.000050] MINIMUM GOLD IN LOCALIZED PLATE AREA, ENTIRE TERMINAL PLATED WITH 1.27µm[.000050] MINIMUM THICK NICKEL. SHIELD - 0.1[.0039] MIN THICK COPPER ZINC ALLOY, PREPLATED WITH 2.0-4.0 µm (.000079-.000157) THICK BRIGHT TIN OVER 1.27 µm (.000050) MIN. THICK NICKEL.
- 2. JACK CAVITY CONFORMS TO FCC RULES AND REGULATIONS PART 68, SUBPART F.
- 3. THIS DIMENSION REPRESENTS THE TOTAL HEIGHT OF THE CONNECTOR FROM THE TOP OF THE PC BOARD.
- 4. PACKAGED 66 ASSEMBLIES PER PVC TRAY, XX PER BOX.
- 5. DIELECTRIC WITHSTANDING VOLTAGE BETWEEN SHIELD AND CONTACT IS 1500 VAC (RMS) PER IEEE 802.3.
- 6. SEE TYCO PN 1116062-1 FOR IEEE 1386 MEZZANINE PCI CARD APPLICATIONS. PN 1658869-1 IS NOT COMPATIBLE WITH IEEE 1386 BEZEL.
- 7. MANUFACTURING DATE CODE: ORIENTED AND LOCATED APPROXIMATELY AS SHOWN. LASER PRINTING. TEXT HEIGHT APPROX. 2MM. FIRST 2 DIGITS = LAST 2 DIGITS OF YEAR NEXT 2 DIGITS = MANUFACTURING WORK WEEK LAST DIGIT = DAY OF WEEK WITH SUNDAY = 1
- 8. MATERIAL: HOUSING - HIGH TEMPERATURE NYLON, BLACK, UL 94V-0 TERMINALS - 0.25[.01] THICK PHOS BRONZE PLATED WITH 3.81µm[.000150] MINIMUM THICK MATTE TIN IN SOLDER AREA, 1.27µm[.000050] MINIMUM GOLD IN LOCALIZED PLATE AREA, ENTIRE TERMINAL PLATED WITH 1.27µm[.000050] MINIMUM THICK NICKEL. SHIELD - 0.1[.0039] MIN THICK COPPER ZINC ALLOY, PLATED WITH 1.27 µm (.000050) MIN. THICK NICKEL AND 2.03 µm (.000080) MIN. THICK HOT TIN DIP ON PCB GROUND TABS.



8	1888542-3
7	1888542-2
MATERIAL / FINISH	PART NUMBER

THIS DRAWING IS A CONTROLLED DOCUMENT.		DWN: 01JUNE2006		BRIAN KUHLVIZ & MAYER	
DIMENSIONS: mm [INCHES]		CHK: 01JUNE2006		J. WESTMAN	
TOLERANCES UNLESS OTHERWISE SPECIFIED:		APVD: 01JUNE2006		S. FLICKINGER	
0 PLC	±	PRODUCT SPEC		NAME	
1 PLC	±	108-1163		MODULAR JACK ASSEMBLY,	
2 PLC	±	APPLICATION SPEC		8 POSITION, SHIELDED, 10mm,	
3 PLC	±	114-2048		WAVE PANEL GROUND TABS	
4 PLC	±	SIZE		CAGE CODE DRAWING NO	
ANGLES	±	WEIGHT		RESTRICTED TO	
MATERIAL	FINISH	3.49 grams		A1	
SEE TABLE	SEE TABLE	CUSTOMER DRAWING		SCALE 3:1 SHEET 1 OF 1 REV C	