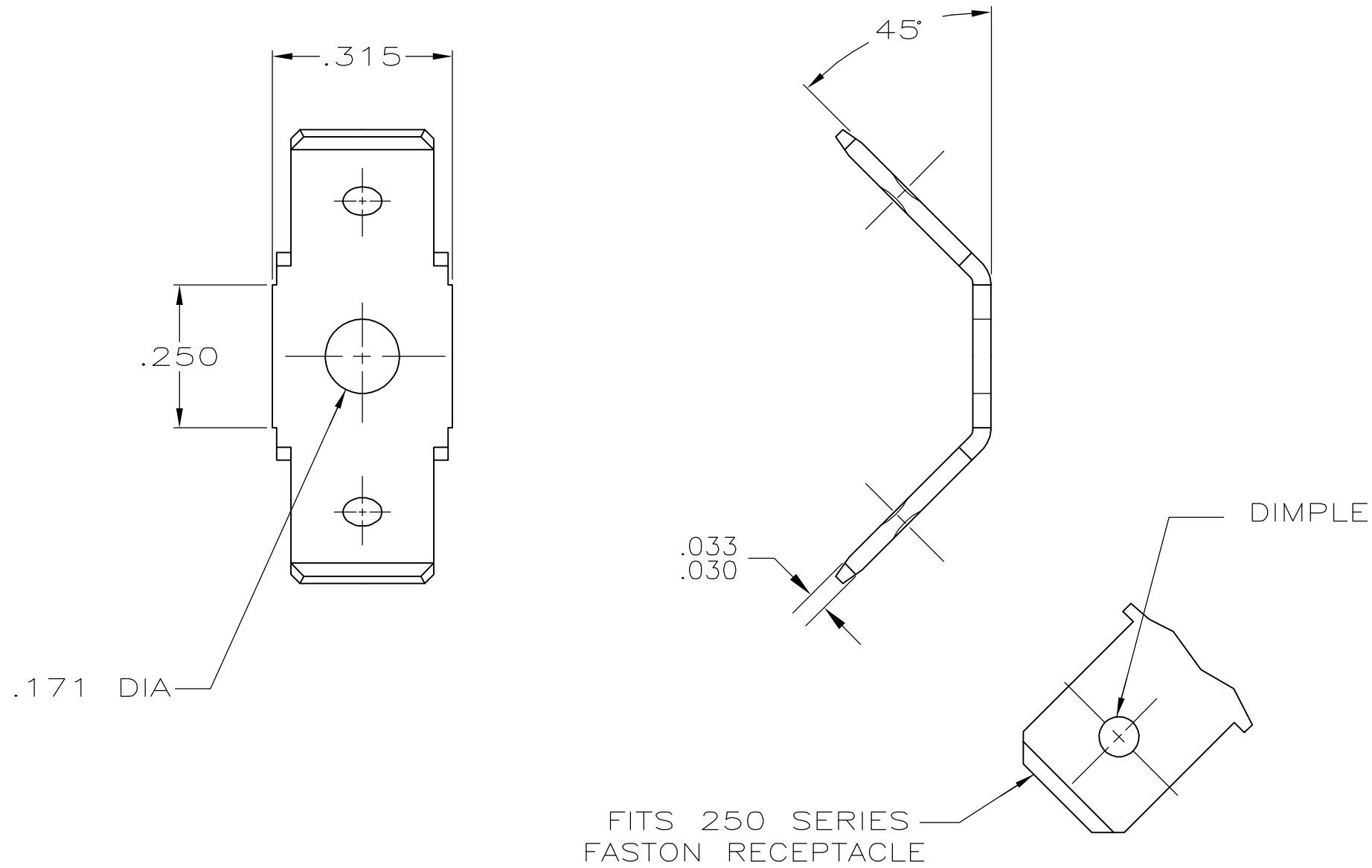


THIS DRAWING IS UNPUBLISHED. RELEASED FOR PUBLICATION
 © COPYRIGHT - BY TYCO ELECTRONICS CORPORATION. ALL RIGHTS RESERVED.

LOC	DIST	REVISIONS			
P	LTR	DESCRIPTION	DATE	DWN	APVD
AF	50	AA	REV PER ECR-05-017287	29MAR06	HMR JR

1 SUPPLIED IN LOOSE PIECE.



—	—
—	41616
FINISH	PART NUMBER

THIS DRAWING IS A CONTROLLED DOCUMENT.		DWN 26SEP2002 MICHAEL S. FEHER	Tyco Electronics Corporation Harrisburg, PA 17105-3608	
DIMENSIONS: INCHES		CHK 26SEP2002 NATHAN DEIBERT		
		APVD 26SEP2002 NATHAN DEIBERT	NAME TAB, FASTON, LOOSE PIECE, .250 SERIES	
TOLERANCES UNLESS OTHERWISE SPECIFIED:		PRODUCT SPEC	SIZE CAGE CODE DRAWING NO RESTRICTED TO	
0 PLC ± - 1 PLC ± - 2 PLC ± - 3 PLC ± .010 4 PLC ± - ANGLES ± -		APPLICATION SPEC	A3 00779 C-41616	
MATERIAL #2H BRASS		WEIGHT -	SCALE 4:1 SHEET 1 OF 1 REV AA	
FINISH SEE TABLE		CUSTOMER DRAWING		