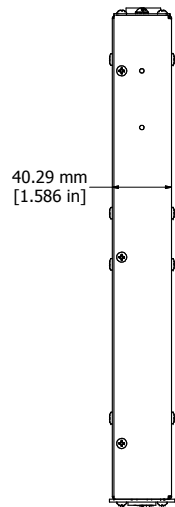
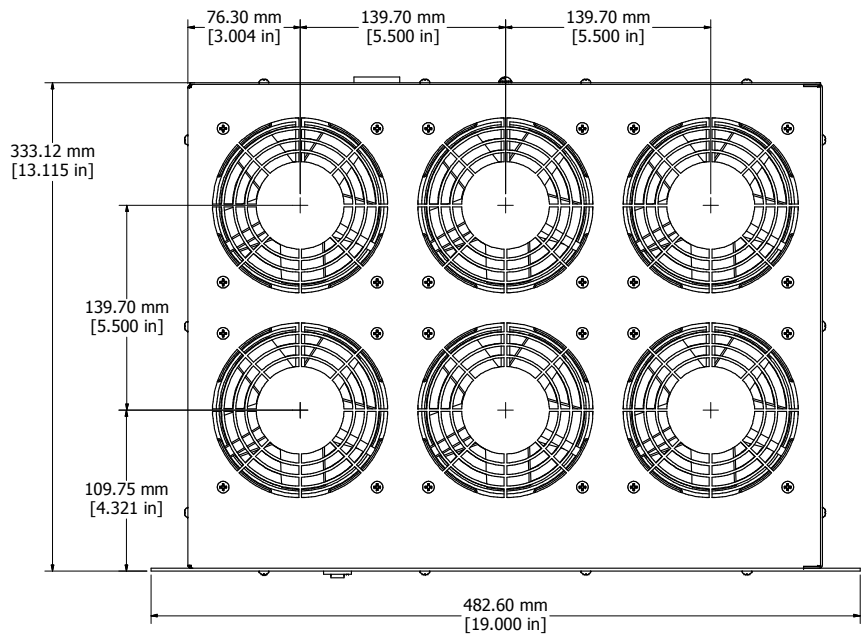
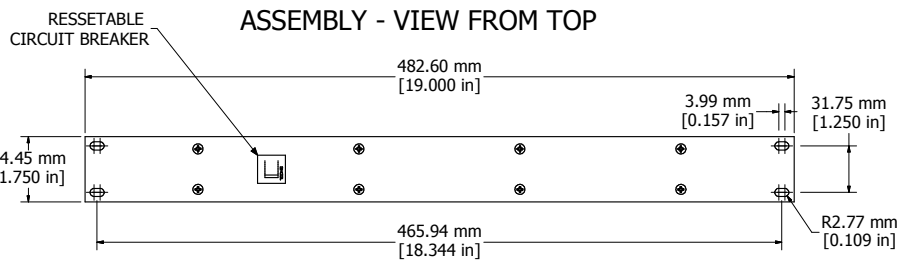


10A, 230V IEC 320 - C14
INLET RECEPTACLE

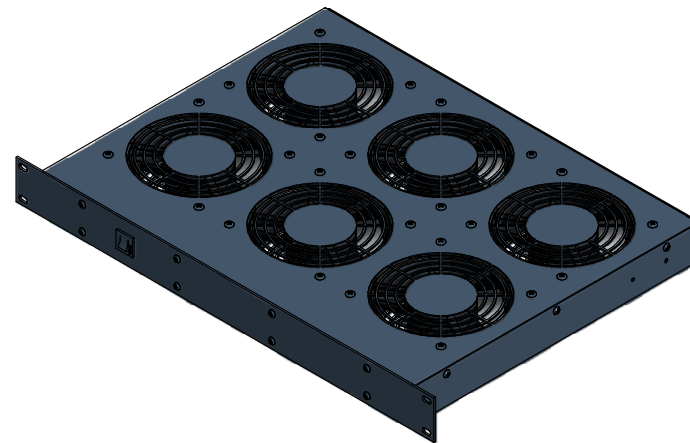
ASSEMBLY - VIEW FROM BACK



ASSEMBLY - VIEW FROM SIDE



ASSEMBLY - VIEW FROM FRONT



ISOMETRIC VIEW

FT600TA1220BK
Finish - Black Textured Powder Paint
Rated - 230 VAC, 50/60 Hz, 3 Amps
Free Flow Air Delivery - 600 CFM
ACCESSORIES INCLUDED
Mounting Instructions
Rear Mount Brackets & Hardware
Extension Brackets & Hardware



**HAMMOND
MANUFACTURING™**

FT600TA1220BK

www.hammondmfg.com