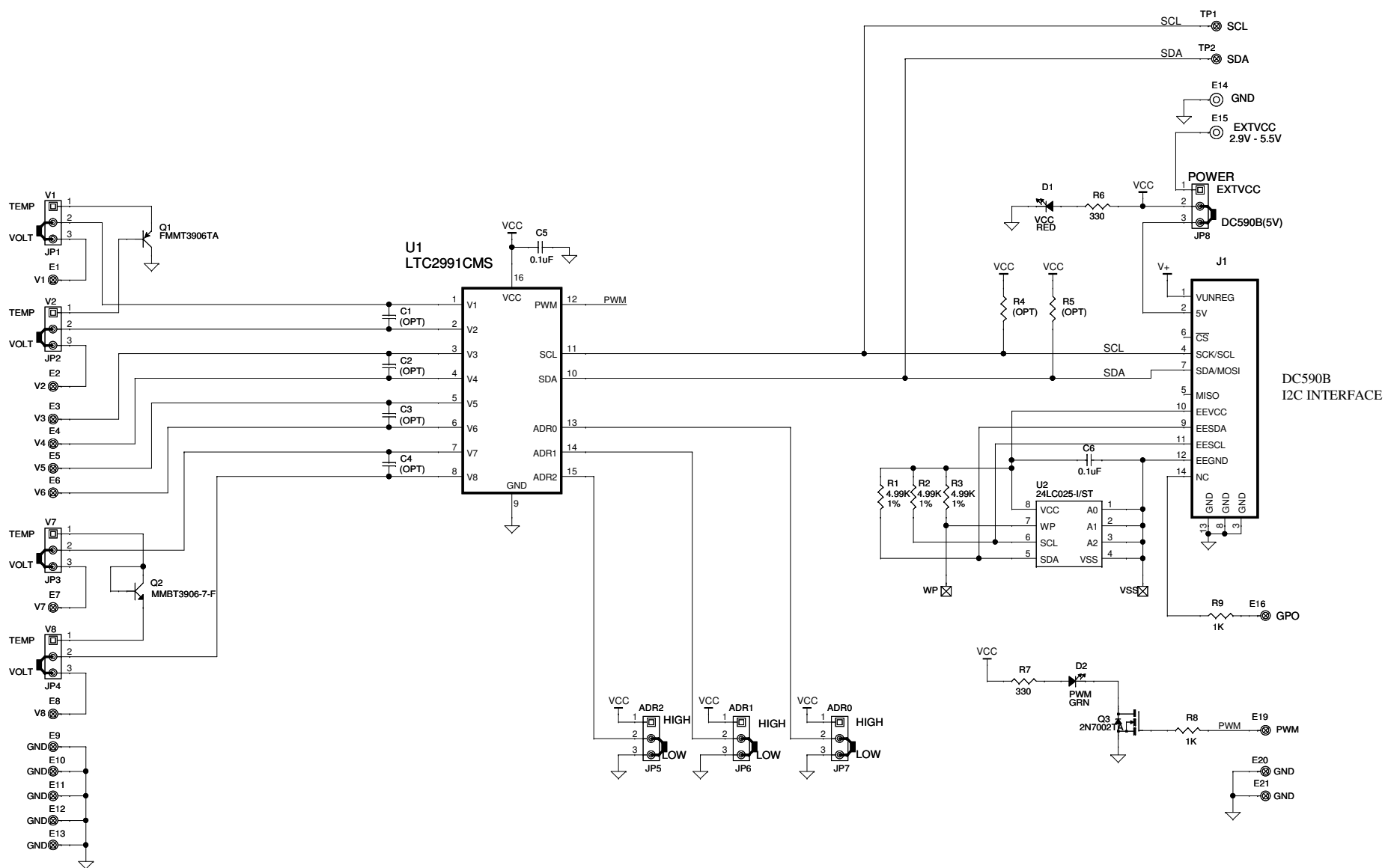


REVISION HISTORY				
ECO	REV	DESCRIPTION	APPROVED	DATE
-	B	JP5, JP6, JP7 Shunts move to Low	LEO C	Aug 11, 2014
		Replaced LED's		



NOTE: UNLESS OTHERWISE SPECIFIED.
 1. ALL RESISTORS 0603.
 2. ALL CAPACITORS 0603.

CUSTOMER NOTICE LINEAR TECHNOLOGY HAS MADE A BEST EFFORT TO DESIGN A CIRCUIT THAT MEETS CUSTOMER-SUPPLIED SPECIFICATIONS; HOWEVER, IT REMAINS THE CUSTOMER'S RESPONSIBILITY TO VERIFY PROPER AND RELIABLE OPERATION IN THE ACTUAL APPLICATION. COMPONENT SUBSTITUTION AND PRINTED CIRCUIT BOARD LAYOUT MAY SIGNIFICANTLY AFFECT CIRCUIT PERFORMANCE OR RELIABILITY. CONTACT LINEAR TECHNOLOGY APPLICATIONS ENGINEERING FOR ASSISTANCE. C:\PADS PROJECTS\1785B\SCH\1785B_REV1.DSN THIS CIRCUIT IS PROPRIETARY TO LINEAR TECHNOLOGY AND SUPPLIED FOR USE WITH LINEAR TECHNOLOGY PARTS.	APPROVALS PCB DES. J2B APP ENG. LEO C	1630 McCarthy Blvd. Milpitas, CA 95035 Phone: (408)432-1900 www.linear.com Fax: (408)434-6507 LTC Confidential-For Customer Use Only	TITLE: SCHEMATIC TEMPERATURE, VOLTAGE AND CURRENT MONITOR SIZE N/A IC NO. LTC2991CMS DEMO CIRCUIT 1785B DATE: Aug 11, 2014	REV. 1 SHEET 1 OF 1	
	SCALE = NONE				DATE: Aug 11, 2014