

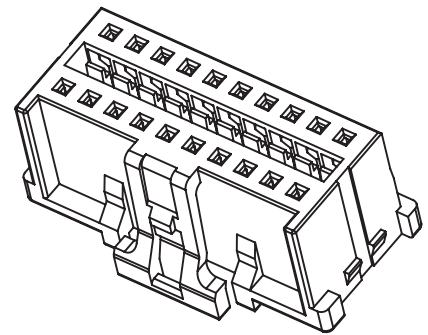
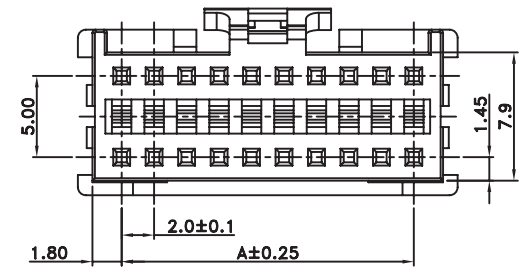
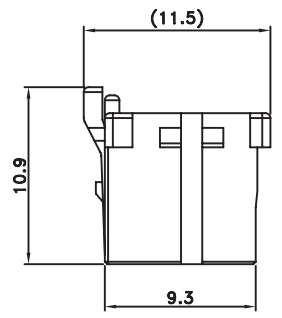
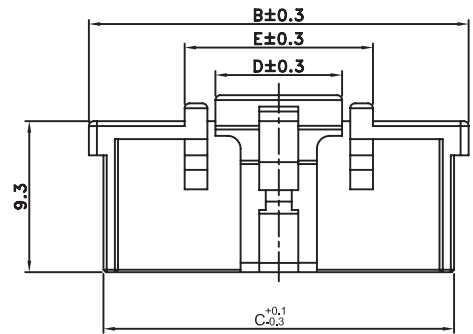
TECHNICAL CHARACTERISTICS

MATERIAL
 INSULATOR: NY 66
 FLAMABILITY RATING: UL94-V0
 COLOR: WHITE
 PITCH: 2.00MM

ENVIRONMENTAL
 OPERATING TEMPERATURE: -25 UP TO 85°C
 COMPLIANCE: LEAD FREE AND ROHS

ELECTRICAL
 CURRENT RATING: 3A
 WORKING VOLTAGE: 250V AC
 INSULATOR RESISTANCE: >1000 MOHM
 DIELECTRIC WITHSTANDING VOLTAGE: 1000V AC/MN

PACKAGING
 BAG



Poles	Dimension(mm)				
	A	B	C	D	E
4x2	6.0	11.4	9.6	4.7	8.4
5x2	8.0	13.4	11.6	4.7	8.4
6x2	10.0	15.4	13.6	7.8	11.6
7x2	12.0	17.4	15.6	7.8	11.6
8x2	14.0	19.4	17.6	7.8	11.6
9x2	16.0	21.4	19.6	7.8	11.6
10x2	18.0	23.4	21.6	7.8	11.6
11x2	20.0	25.4	23.6	7.8	11.6
12x2	22.0	27.4	25.6	7.8	11.6
13x2	24.0	29.4	27.6	7.8	11.6
14x2	26.0	31.4	29.6	7.8	11.6
15x2	28.0	33.4	31.6	7.8	11.6
16x2	30.0	35.4	33.6	7.8	11.6
17x2	32.0	37.4	35.6	7.8	11.6
18x2	34.0	39.4	37.6	7.8	11.6
19x2	36.0	41.4	39.6	7.8	11.6
20x2	38.0	43.4	41.6	7.8	11.6

G			
F			
E			
D			
C			
B			
A	15-MAY-12	PDF	GG
REV	DATE	FILE	BY

PROJECTION:

APPROVAL: RJ

GENERAL TOLERANCE
 .X = +/- 0.2
 .XX = +/- 0.15

UNIT: MM
 SCALE:
 SHEET: 1/2
 DRAW: MIKE

DESCRIPTION: WTB 2.00MM DUAL ROWS TERMINAL HOUSING

WERI PART NO: 624 0xx 213 322

SIZE
A4

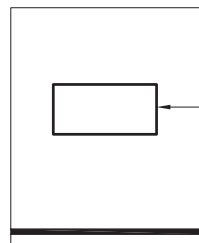
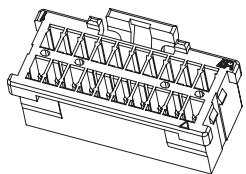
1

2

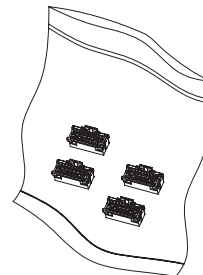
3

4

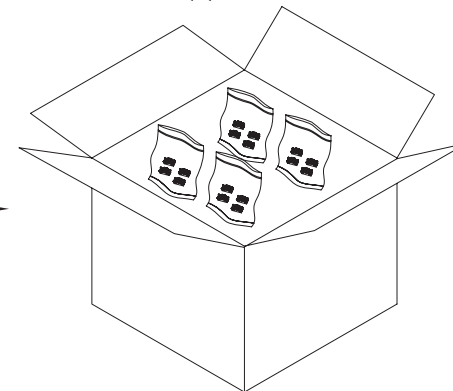
5



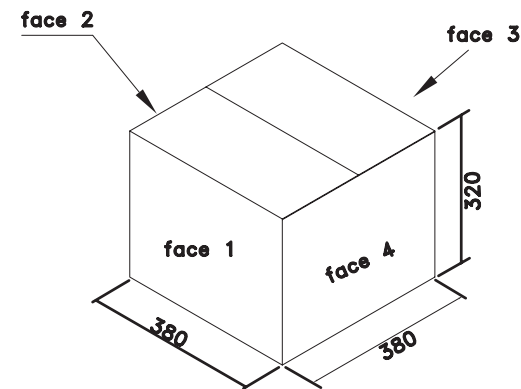
WE label



(B) CARTON PACKING



(C)

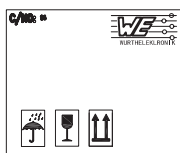


12Reels/1Carton

Poles	(A) BAG PACKING		(B) Carton PACKING	
	SPCE	Quantity (pcs)	Quantity (bag)	Quantity (pcs)
4x2	256x204*0.08	1000	20	20.000
5x2	256x204*0.08	500	40	20.000
6x2	330*280*0.08	1000	18	18.000
7x2	330*280*0.08	1000	16	16.000
8x2	330*280*0.08	1000	14	14.000
9x2	330*280*0.08	1000	12	12.000
10x2	330*280*0.08	500	22	11.000
11x2	330*280*0.08	500	22	11.000
12x2	330*280*0.08	500	22	11.000
13x2	330*280*0.08	500	20	10.000
14x2	330*280*0.08	500	20	10.000
15x2	330*280*0.08	500	18	9.000
16x2	330*280*0.08	500	16	8.000
17x2	330*280*0.08	500	14	7.000
18x2	330*280*0.08	500	12	6.000
19x2	330*280*0.08	500	10	5.000
20x2	330*280*0.08	500	8	4.000



face 1
face 3



face 2
face 4

Note:
 1.Bag size: see the table
 2.Carton size: 380*380*320

G				PROJECTION:	GENERAL TOLERANCE	 WÜRTH ELEKTRONIK	DESCRIPTION: WTB 2.00MM DUAL ROWS TERMINAL HOUSING WERI PART NO: 624 0xx 213 322	SIZE A4
F					.X = +/- 0.2 .XX = +/- 0.15			
E				APPROVAL: RJ	UNIT: MM	DESCRIPTION: WTB 2.00MM DUAL ROWS TERMINAL HOUSING WERI PART NO: 624 0xx 213 322	SIZE A4	
D					SCALE:			
C				APPROVAL: RJ	SHEET: 2/2	DESCRIPTION: WTB 2.00MM DUAL ROWS TERMINAL HOUSING WERI PART NO: 624 0xx 213 322	SIZE A4	
B					DRAW: MIKE			
A								
REV	DATE	FILE	BY					

A

B

C

D