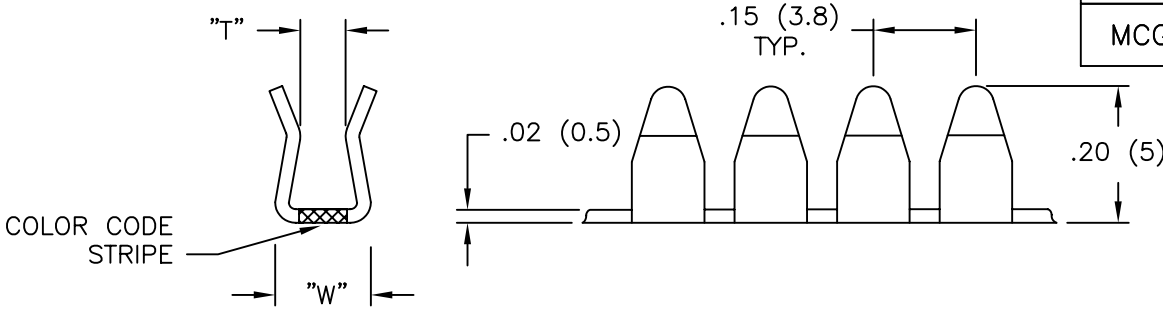


PART NO.	COLOR CODE STRIPE	WIDTH "W"	"T" APPLICATION THICKNESS RANGE
MCGF-1N	WHITE	.13 (3.3)	.029-.045 (0.7-1.1)
MCGF-2N	PINK		.044-.056 (1.1-1.4)
MCGF-3N	YELLOW		.055-.069 (1.4-1.7)



NOTES:

1. MATERIAL: 304 STAINLESS STEEL (RMS-283).
2. COATING: NYLON 11 (RMS-192), COLOR: BLACK.  
TABER ABRASION RESISTANCE: PER nft 30-015  
5 TO 8 mg LOSS AFTER 1000 CYCLES.
3. DIELECTRIC STRENGTH: 100 VOLTS @ 60 HZ.
4. OPERATING TEMPERATURE RANGE: -40°F TO 285°F (-40°C TO 140°C).
5. SALT SPRAY TESTING: 2000 HOURS, ASTM B117. MIL-STD-202, METHOD 301.
6. FLAMMABILITY: UL 94 V-0 YELLOW CARD NO. E113553 NZMT2.
7. RANDOM SHOCK AND VIBRATION: MIL-STD-1344, METHOD 2005.1, TEST CONDITION VI, LETTER "J".  
DURATION 8 HOURS LONGITUDINAL AND 8 HOURS PERPENDICULAR. rms G 41.7.
8. HAND HELD CUTTING TOOL NEEDED, ORDER P/N : MCGS-1
9. FITS ANY FOUR AXIS CONTOUR.
10. COLOR CODE STRIPE: PRINTING INK (RMS-346).
11. PACKAGING: 100 FT (30.5M) REEL

<table border="1"> <tr> <td>D</td> <td>SEE ECN #1284 FOR CHANGES</td> <td>SK 02.08.07</td> </tr> <tr> <td>C</td> <td>SEE ECN #1283 FOR CHANGES</td> <td>SK 02.05.07</td> </tr> <tr> <td>B</td> <td>SEE ECN #487 FOR CHANGES</td> <td>SM 10.15.02</td> </tr> <tr> <td>A</td> <td>CORRECTED DRAWING TITLE</td> <td>SM 08.13.02</td> </tr> <tr> <td>REV</td> <td>DESCRIPTION</td> <td>ENGR DATE</td> </tr> </table>			D	SEE ECN #1284 FOR CHANGES	SK 02.08.07	C	SEE ECN #1283 FOR CHANGES	SK 02.05.07	B	SEE ECN #487 FOR CHANGES	SM 10.15.02	A	CORRECTED DRAWING TITLE	SM 08.13.02	REV	DESCRIPTION	ENGR DATE	<table border="1"> <tr> <td colspan="4">TOLERANCES UNLESS NOTED .XX=±.010 .XXX=±.005 FRAC=±1/64 ANG=±1'</td> </tr> <tr> <td>FILE #</td> <td>MCGF</td> <td>DWN:</td> <td>S.M.</td> </tr> <tr> <td>MAT'L:</td> <td>SEE NOTES</td> <td>DT:</td> <td>08.01.02</td> </tr> <tr> <td>RE:</td> <td>RICHCO, INC.</td> <td>DT:</td> <td></td> </tr> </table>				TOLERANCES UNLESS NOTED .XX=±.010 .XXX=±.005 FRAC=±1/64 ANG=±1'				FILE #	MCGF	DWN:	S.M.	MAT'L:	SEE NOTES	DT:	08.01.02	RE:	RICHCO, INC.	DT:		<table border="1"> <tr> <td colspan="2">APP:</td> </tr> <tr> <td colspan="2">DT:</td> </tr> </table>		APP:		DT:		<table border="1"> <tr> <td colspan="2">DWG IN IN (MM)</td> </tr> <tr> <td colspan="2">FINAL</td> </tr> </table>		DWG IN IN (MM)		FINAL		<table border="1"> <tr> <td colspan="2">PART #</td> </tr> <tr> <td colspan="2">MCGF SERIES</td> </tr> </table>		PART #		MCGF SERIES		<table border="1"> <tr> <td>PRINT TYPE</td> </tr> <tr> <td>CA</td> </tr> </table>	PRINT TYPE	CA
D	SEE ECN #1284 FOR CHANGES	SK 02.08.07																																																								
C	SEE ECN #1283 FOR CHANGES	SK 02.05.07																																																								
B	SEE ECN #487 FOR CHANGES	SM 10.15.02																																																								
A	CORRECTED DRAWING TITLE	SM 08.13.02																																																								
REV	DESCRIPTION	ENGR DATE																																																								
TOLERANCES UNLESS NOTED .XX=±.010 .XXX=±.005 FRAC=±1/64 ANG=±1'																																																										
FILE #	MCGF	DWN:	S.M.																																																							
MAT'L:	SEE NOTES	DT:	08.01.02																																																							
RE:	RICHCO, INC.	DT:																																																								
APP:																																																										
DT:																																																										
DWG IN IN (MM)																																																										
FINAL																																																										
PART #																																																										
MCGF SERIES																																																										
PRINT TYPE																																																										
CA																																																										
<table border="1"> <tr> <td colspan="3">TITLE: METAL CONTINUOUS GROMMET, FLEXIBLE</td> </tr> </table>			TITLE: METAL CONTINUOUS GROMMET, FLEXIBLE			<table border="1"> <tr> <td colspan="2">RICHCO INC. PO BOX 804238, CHICAGO, 60680 (773) 539-4060</td> </tr> </table>		RICHCO INC. PO BOX 804238, CHICAGO, 60680 (773) 539-4060		<table border="1"> <tr> <td colspan="2"> </td> </tr> </table>				<table border="1"> <tr> <td colspan="1"> </td> </tr> </table>																																												
TITLE: METAL CONTINUOUS GROMMET, FLEXIBLE																																																										
RICHCO INC. PO BOX 804238, CHICAGO, 60680 (773) 539-4060																																																										