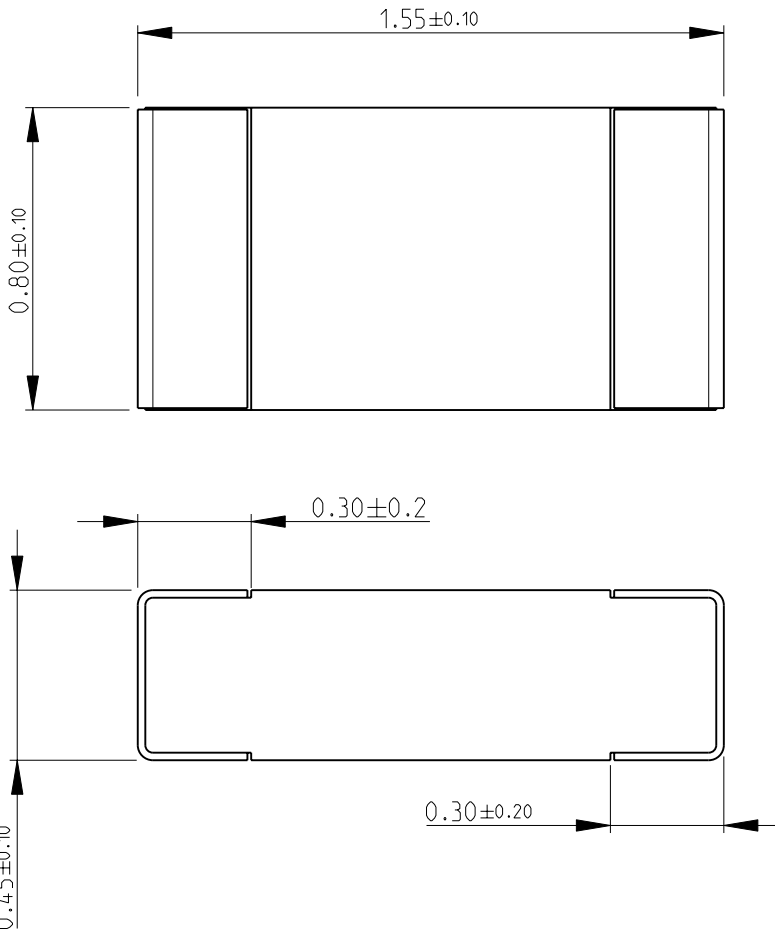
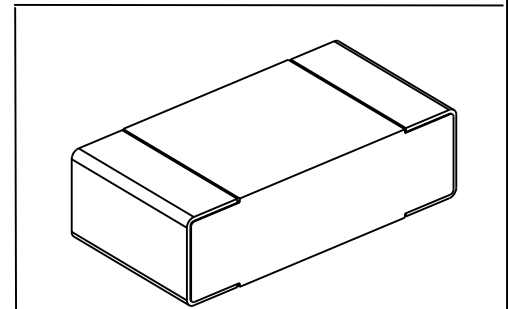
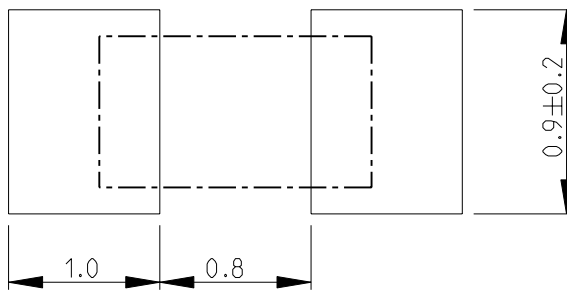


LOC	DIST	REVISIONS					
E	B	P	LTR	DESCRIPTION	DATE	DWN	APVD
			BA	NEW RELEASE	08SEP2010	PT	St.P

FOR FURTHER INFORMATION SEE DATA SHEET FOR
RN73 SERIES-HIGH PRECISION RESISTORS (SMD)



RECOMMENDED LAND PATTERN



2010
 RELEASED FOR PUBLICATION
 THIS DRAWING IS UNPUBLISHED.
 BY TYCO ELECTRONICS CORPORATION. ALL RIGHTS RESERVED.
 COPYRIGHT 2010

DIMENSIONS: mm	DWN	PARUSURAM.T	08SEP2010	MATERIAL	-	FINISH	-
	CHK	ALLAN.P	08SEP2010	Tyco Electronics Corporation Dorcan, Swindon, SN3 5HH			
TOLERANCES UNLESS OTHERWISE SPECIFIED:	APVD	STEPHEN.P	08SEP2010				
0 PLC ±0.2	PRODUCT SPEC	-	-	NAME HIGH PRECISION RESISTORS (SMD) SERIES RN73 1J			
1 PLC ±0.1	APPLICATION SPEC	-	-	SIZE	A 4	CAGE CODE	00779
2 PLC ±-				DRAWING NO	C= 1879135		RESTRICTED TO
3 PLC ±-				WEIGHT	-		-
4 PLC ±-				CUSTOMER DRAWING			
ANGLES ±5°				SCALE	20:1	SHEET	1 OF 1
						REV	BA