

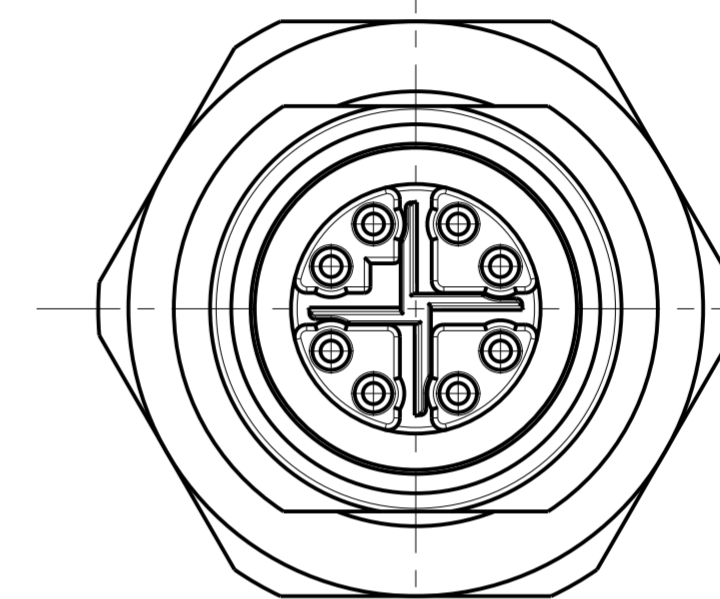
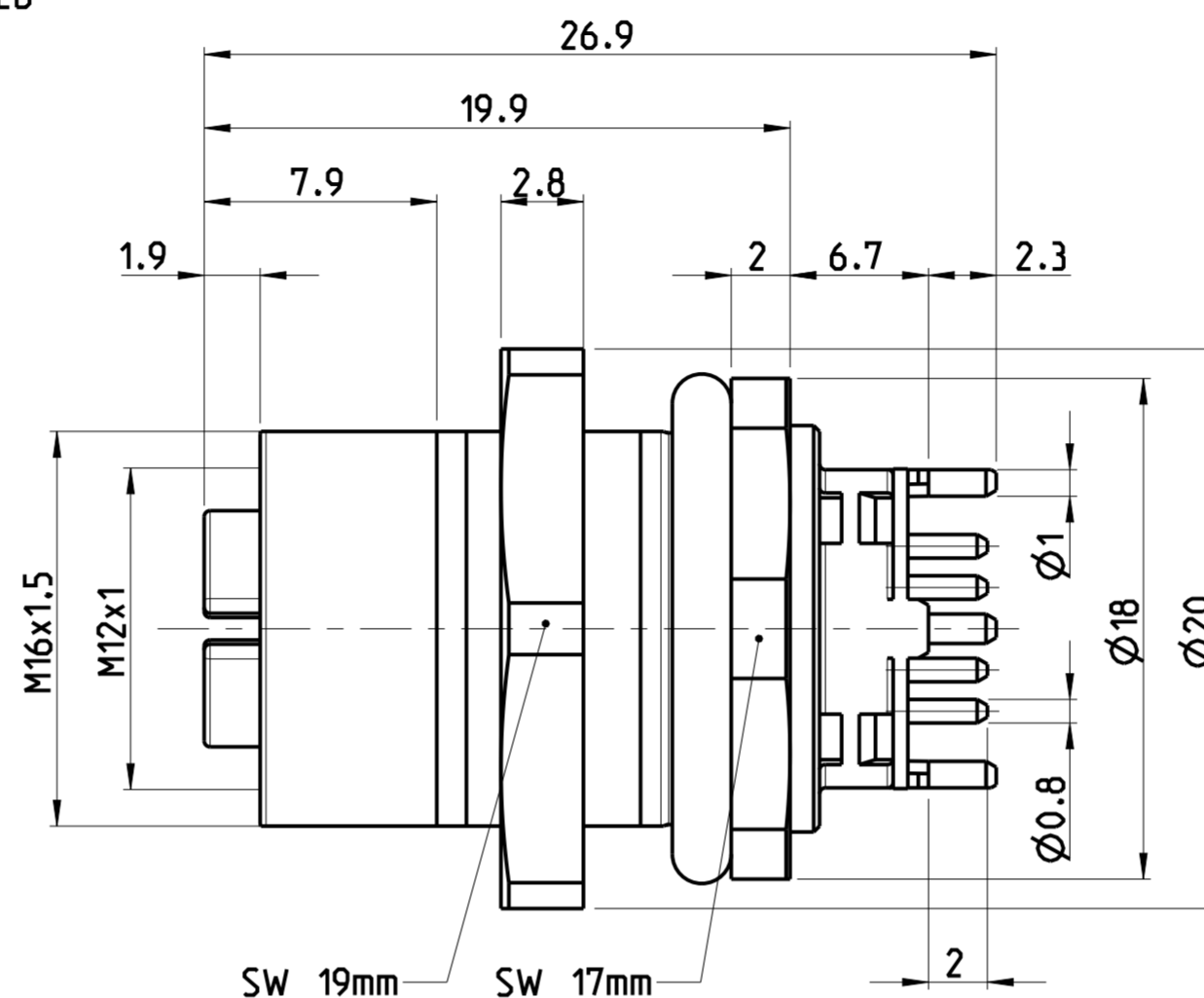
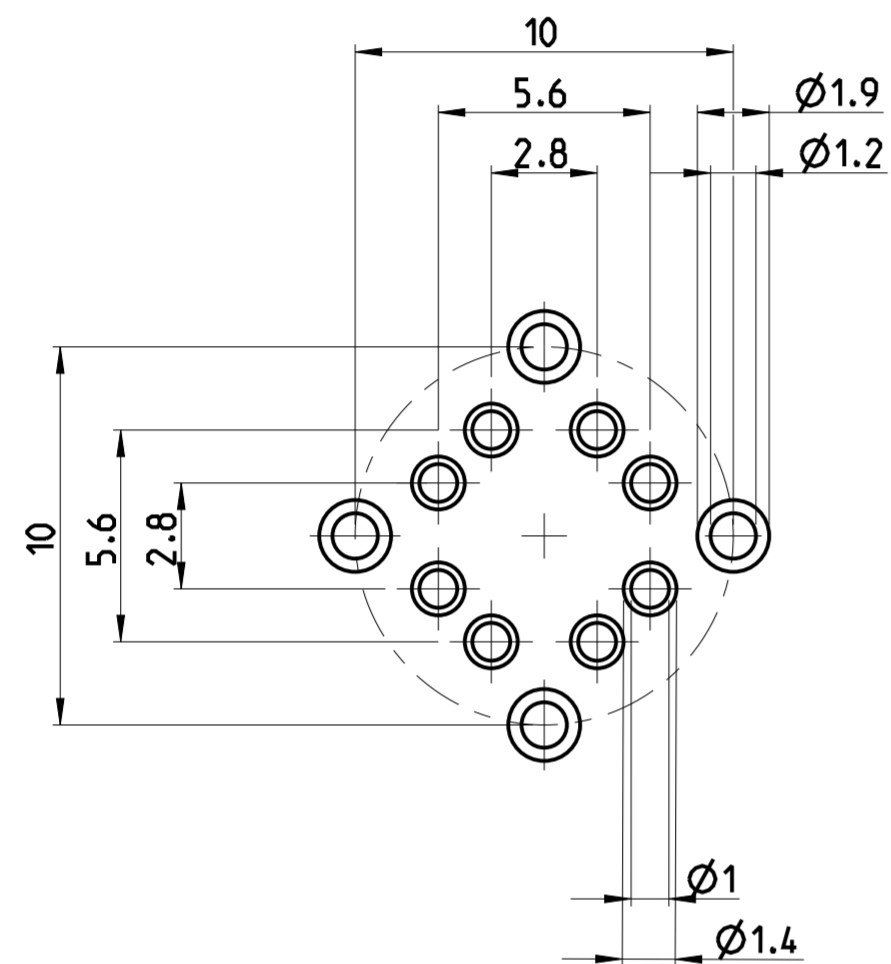
REVISIONS		DATE	DWN	APVD
ÄNDERUNGEN				
P	LTR	DESCRIPTION		
		BESCHREIBUNG		
	A1	NEW DRAWING	29MAY2014	YR CS

- 1 MATERIAL: ITEM NO. 1: HOUSING - ZINC DIECASTING, NICKEL PLATED  
 ITEM NO. 2: CONTACT BODY - PA  
 ITEM NO. 3: CONTACT - CuSn (bronze)  
 CONTACT FINISH - Au (gold)

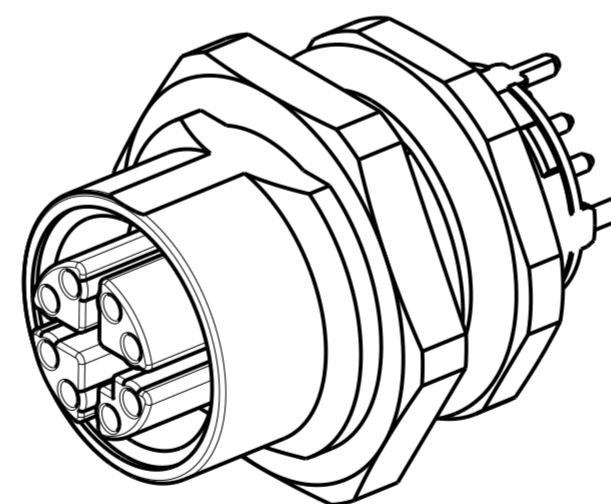
2 ALL DIMENSIONS ARE FOR NOMINAL REFERENCE ONLY UNLESS OTHERWISE STATED

3 MEASUREMENT REFERENCE ONLY

4 PACKAGING: 20 PIECES IN A TRAY / BLISTER

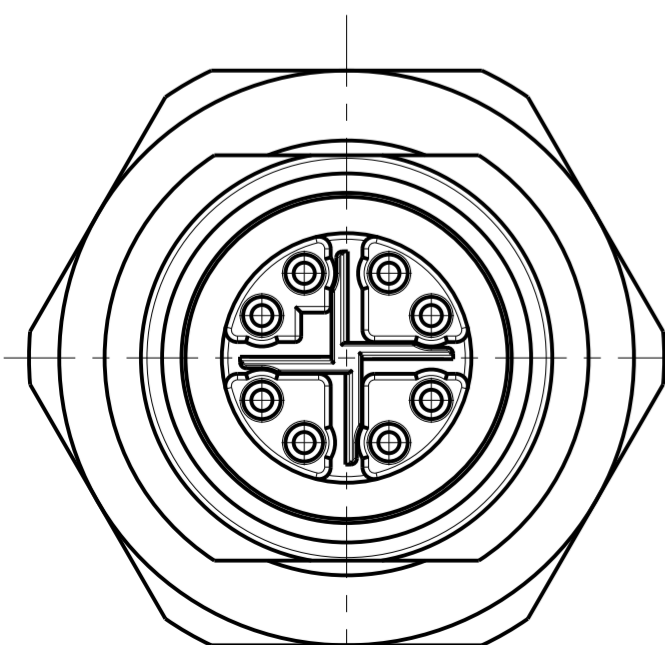


PANEL MOUNTING DETAILS



PIN ARRANGEMENT X-CODING (SCALE 4:1)

2120953-1



TECHNICAL DATA

2120953-1

RATED VOLTAGE	50AC-60DC
RATED IMPULSE VOLTAGE	CAT 6A
POLLUTION DEGREE	3
OVERVOLTAGE CATEGORY	II
MATERIAL GROUP	III
RATED CURRENT	0.5A
VOLUME RESISTIVITY	≤10mΩ
DEGREE OF PROTECTION	IP67
UPPER TEMPERATURE	+85°C
LOWER TEMPERATURE	-40°C

-	⚠	8	2120953-1
WIRES AWG / mm²	MATERIAL	NUMBER OF POLES	TE-PART-NO.

DIESE ZEICHNUNG IST EIN KONTROLLIERTES DOKUMENT. BEMASSUNGEN UND TOLERANZEN GEMAESS GPS (ISO STANDARDS).

THIS DRAWING IS A CONTROLLED DOCUMENT. DIMENSIONING AND TOLERANCING PER GPS (ISO STANDARDS).

DIMENSIONS: MASSE/MASSSTAB:	TOLERANCES UNLESS OTHERWISE SPECIFIED: ALLGEMEINTOLERANZEN	DWN	DATE
	0 PLC ±	YASHKUMAR	29MAY2014
	1 PLC ±	CHK	
	2 PLC ±	M.STRELOW	29MAY2014
	3 PLC ±	APVD	
	4 PLC ±	C.SCHREITLINGER	29MAY2014
ANGLES/WINKEL	±		
FINISH/OBERFLÄCHE/FARBE			

MATERIAL: -

TE Connectivity	
NAME: M12 RECEPTACLE, PCB MOUNT CONNECTOR, X-CODING	
SIZE: A2	CAGE CODE: 00779
DRAWING NO: C-2120953	RESTRICTED TO: MUR FÜR
Customer Drawing	/KUNDENZEICHNUNG
SCALE: 4:1	SHEET: 1 OF 1
REV: A1	

SIZE ISO 14405 (E)