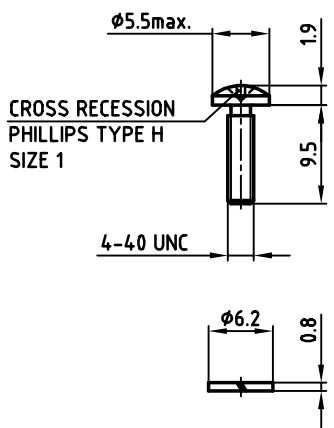
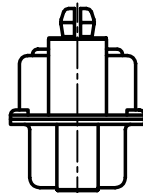
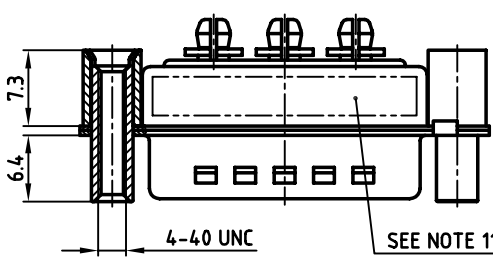
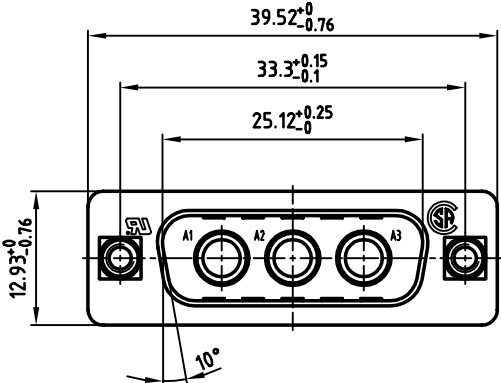
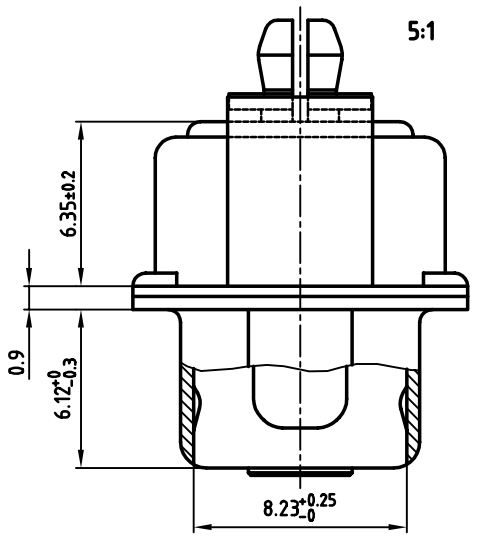


P.C.B. HOLE DRILLINGS

used for: D-SUB FILTER COMBINATION



(b) INCLUDED IN DELIVERY: 2 x SCREW
2 x WASHER

NOTES:

1. METALSHELLS: STEEL; min. 320µ" TIN
2. INSULATORS: PBT GF UL 94 V-0, BLACK
3. HIGH POWER PRESS-FIT CONTACTS 30A: COPPER ALLOY
PCB HOLE Ø3.111 max. / Ø2.959 min.
PCB-THICKNESS min. 2mm
PLATING-MATING SIDE: min. 30µ" HARD GOLD OVER min. 50µ" NICKEL
PLATING-REAR SIDE: min. 80µ" TIN OVER min. 50µ" NICKEL
4. THREADED REAR SPACER/FRONT THREADED LOCK:
COPPER ALLOY; min. 200µ" TIN over 80µ" NICKEL
5. SLEEVE: COPPER ALLOY; min. 200µ" TIN over 80µ" NICKEL
- (b) 6. SCREW: STEEL, NICKEL PLATED
7. SPRING RING: STEEL, NICKEL PLATED
8. CAPACITANCE: 100nF ±20%
9. DIELECTRIC WITHSTANDING VOLTAGE: 707 VDC
10. MAXIMUM TORQUE VALUE FOR THREAD: 6" LBS
11. CONNECTOR IS PART MARKED: 3F3SPC28SP1S90B CONEC Y/WW
12. = CHECK DIMENSION

APPROVAL * FREIGABE * DEBLOCAGE * AUTORIZACION * APPROVAL

CUSTOMER APPROVAL DATE:

NAME: TITLE:

COMPANY NAME:

APPROVAL * FREIGABE * DEBLOCAGE * AUTORIZACION * APPROVAL

THIS DRAWING MAY NOT BE COPIED OR REPRODUCED IN ANY WAY, AND MAY NOT BE PASSED ON TO A THIRD PARTY, WITHOUT WRITTEN PERMISSION. OWNERSHIP AND COPYRIGHT OF CONEC Gmbh DO NOT ALTER CAD DRAWING BY HAND

rev.	description	date	name
3 x b	Ä 1904	18.12.2003	Lehmen

tolerance		dim. in mm
2003	date	name
drawn	09.12.	Lehmenkühler
appd.	09.12.	Mickenbecker
norm		
d-old		

scale: 2:1 (5:1)

material: SEE NOTES

title: **D-SUB FILTER COMBINATION MALE**
3W3P
threaded rear spacer, front threaded lock

dwg no: AutoCAD 2000 DIN-A
3 sh:1/1

24K1A492

part no: **3F3SPC28SP1S90B**