

PART NAME: BALL KNOB SCALE: 1:1 DATE: 8/21/96 DR. BY HD

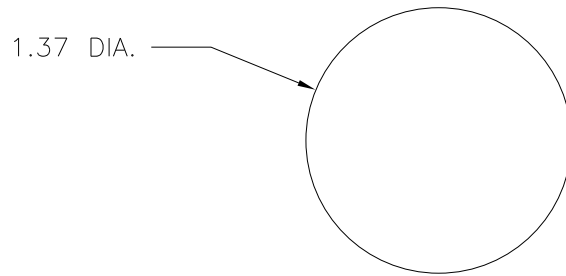
DAVIES MOLDING COMPANY
CAROL STREAM, ILLINOIS 60188

P/N 0033AG

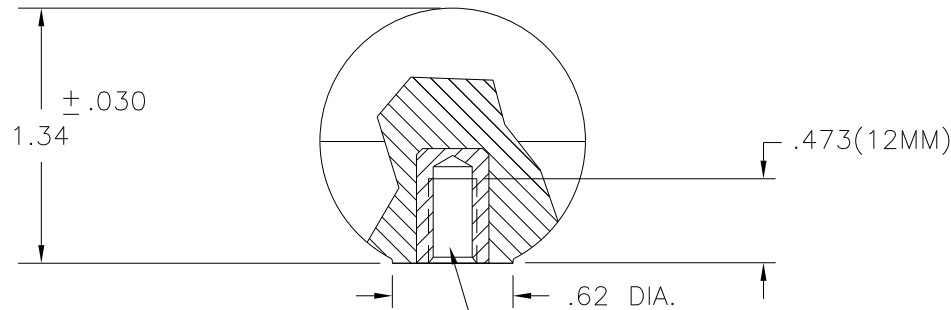
THIS DRAWING IS THE PROPERTY OF DAVIES MOLDING COMPANY, IS SUBMITTED SOLELY AS A DESIGN OR ENGINEERING PROJECT. WE ACCEPT NO RESPONSIBILITY WHATSOEVER FOR THE PRACTICAL APPLICATION OF THE PIECES MADE TO THIS DESIGN.

M NO. 3220

CAVITY	33
PLUNGER	33
PIN	50-SPEC
SHIM	.031
INSERT	I1043



(A)



M6 X 1.0 - 6H
I1043, H.H.BRASS

(A)

MATERIAL : # 2311 PLENCO PHENOLIC
COLOR : BLACK

TOLERANCES: UNLESS OTHERWISE SPECIFIED	DO NOT SCALE DRAWING			
DECIMALS: X.XXX ± .005 X.XX ± .015	MM: X.XX ± 0.15MM X.X ± 0.4MM	A	I1043 WAS I2016	HD 10/16/97
FRACTIONS ± 1/64	ANG. ± 1°	CHANGES		