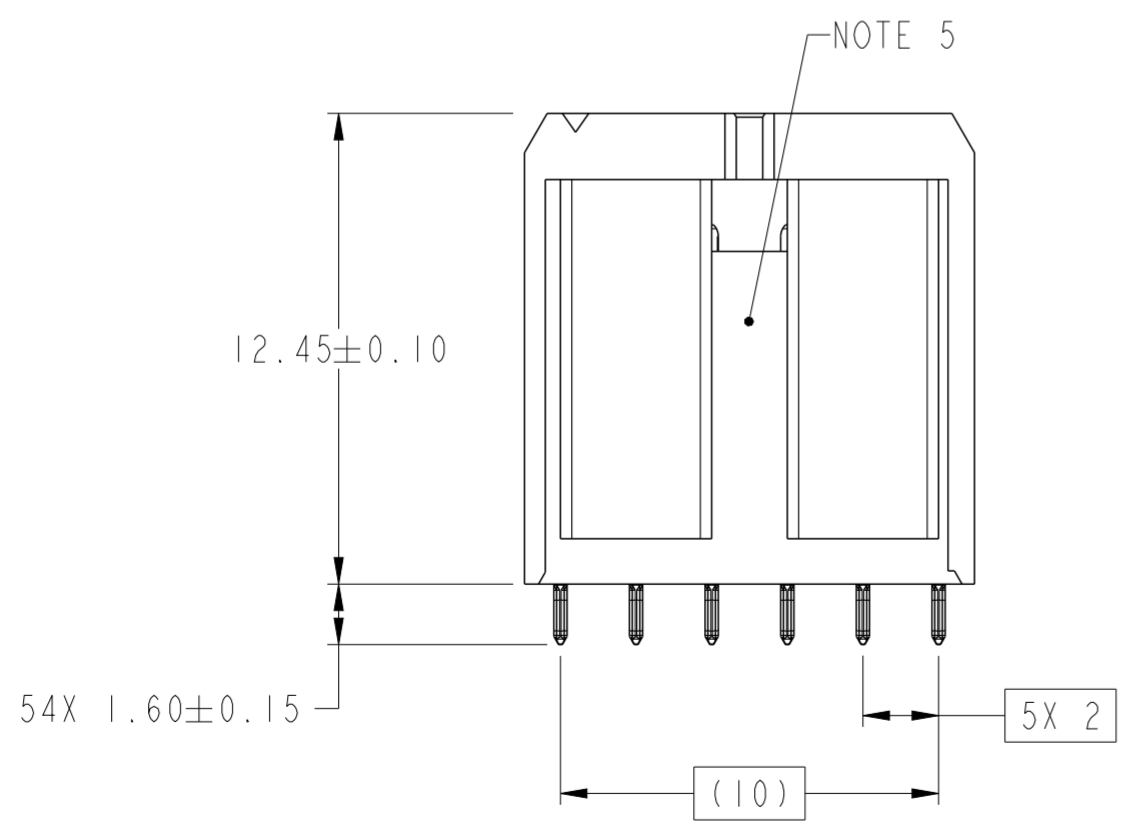
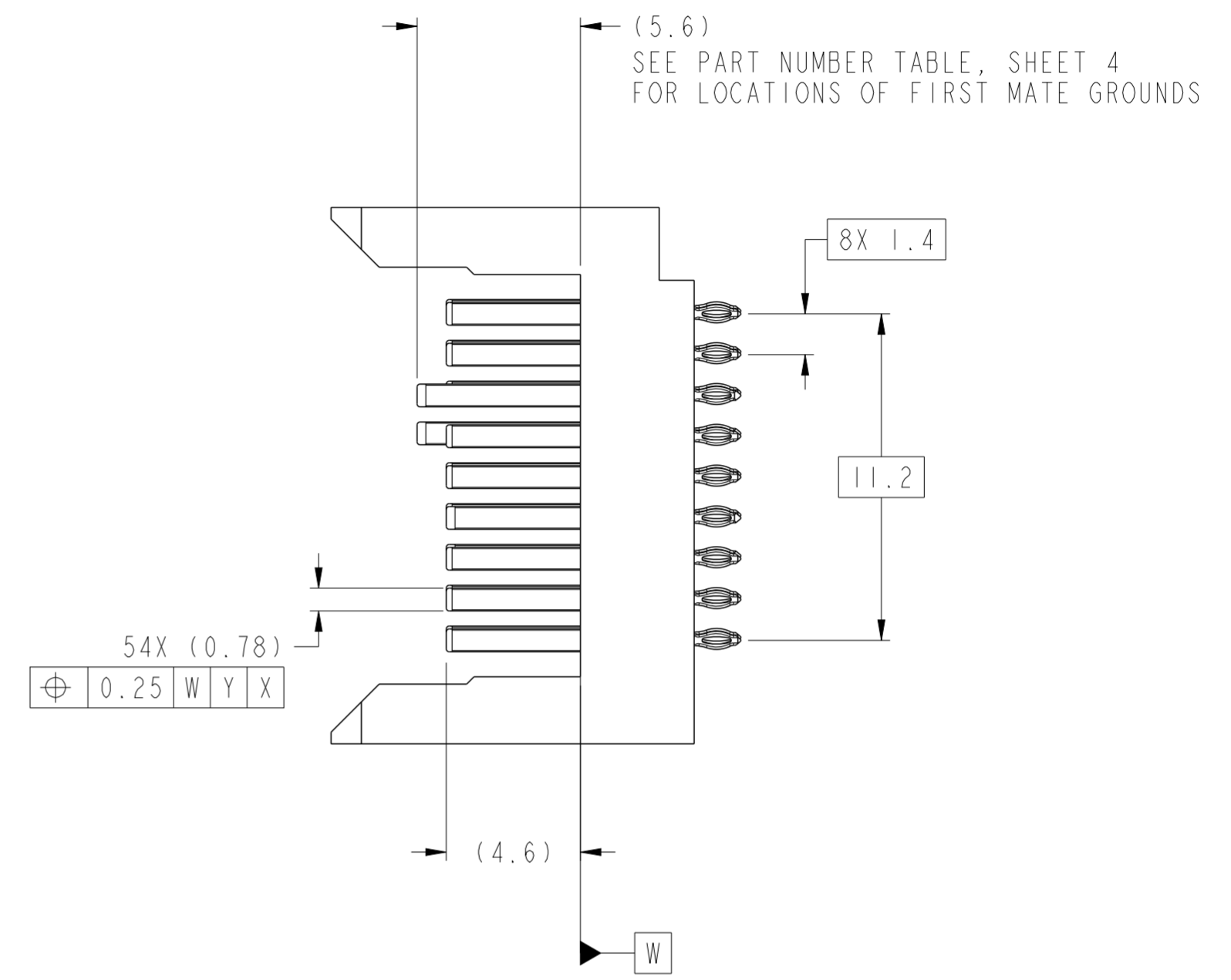
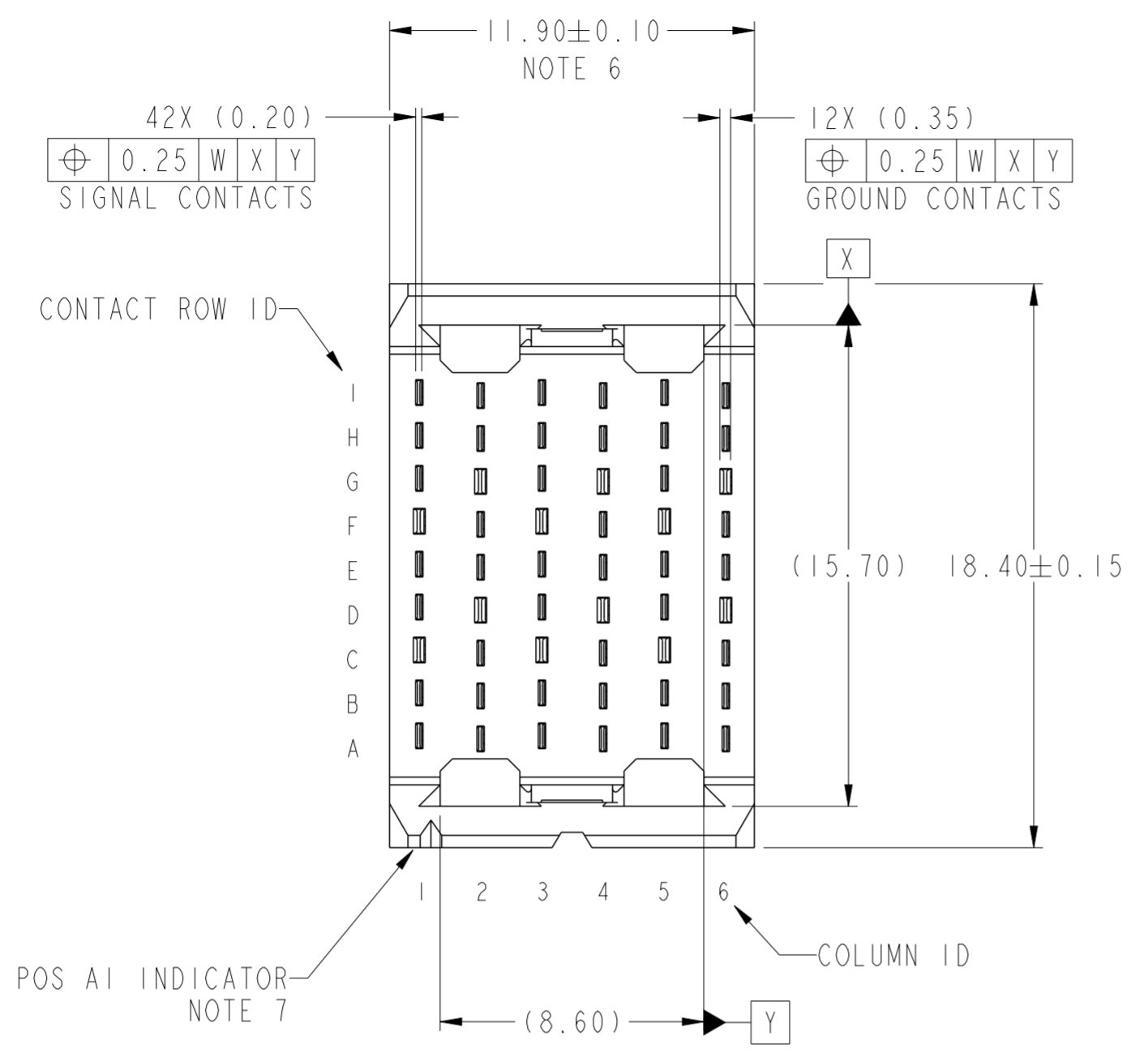
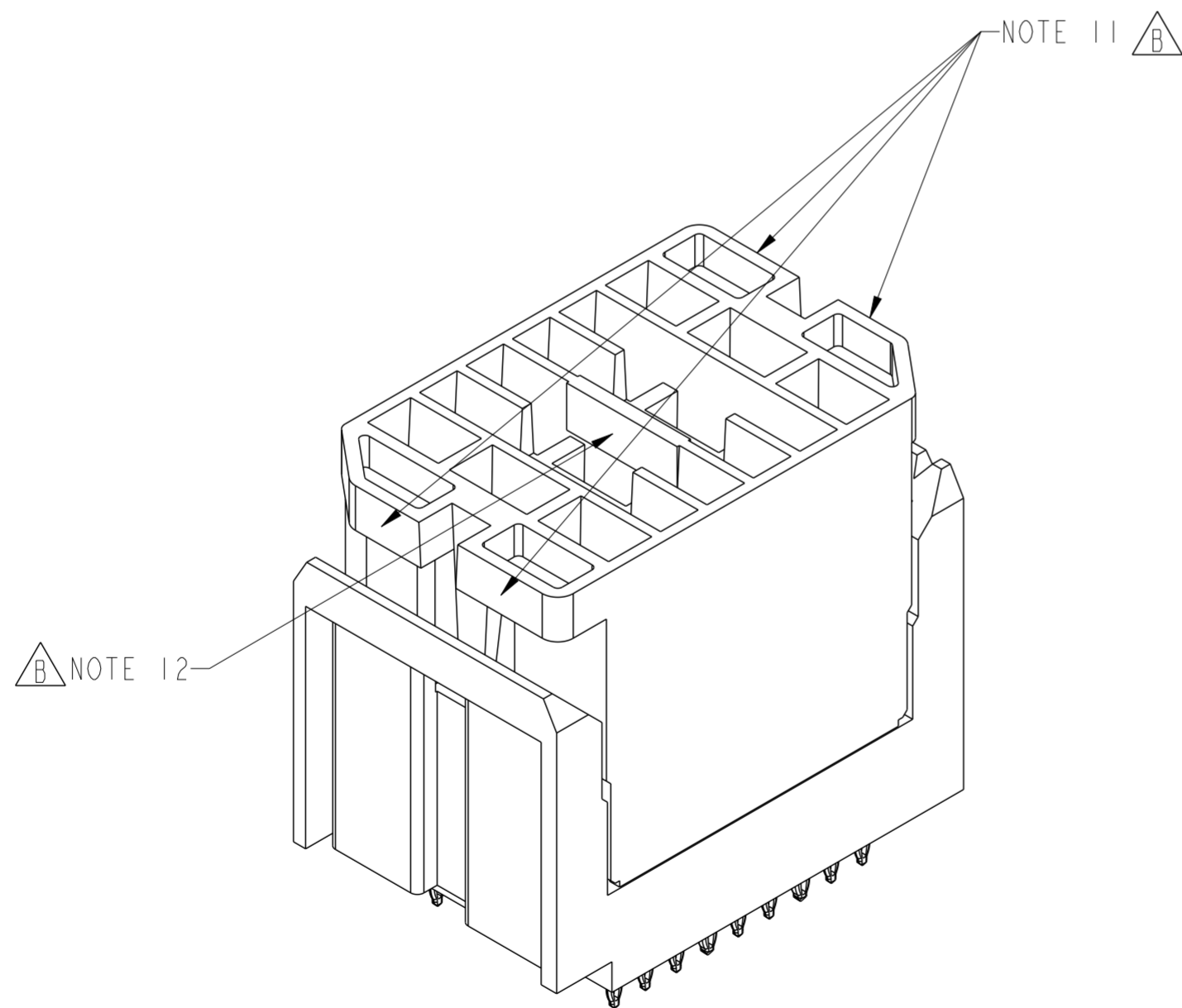
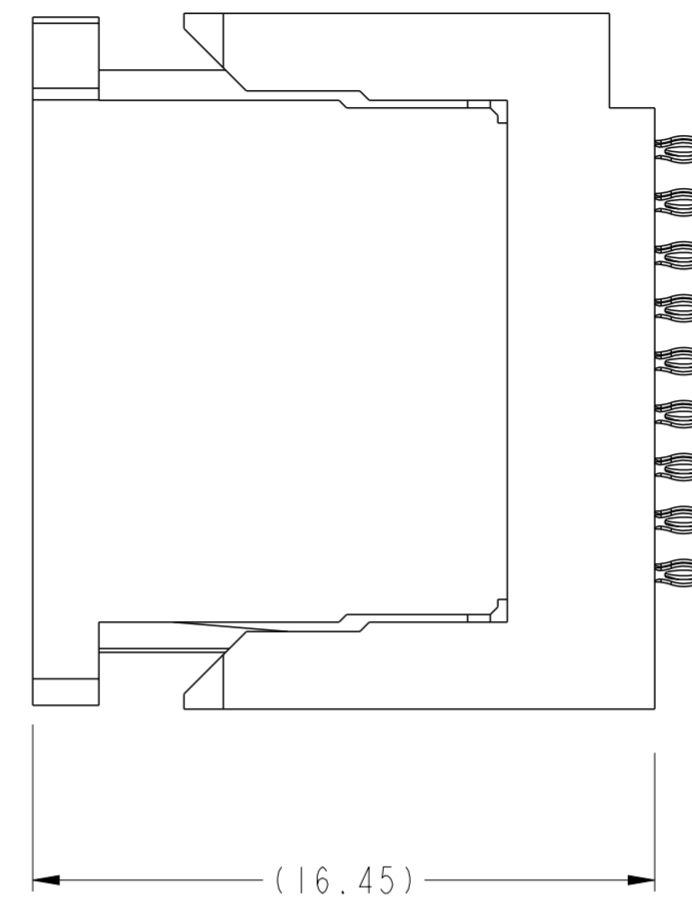
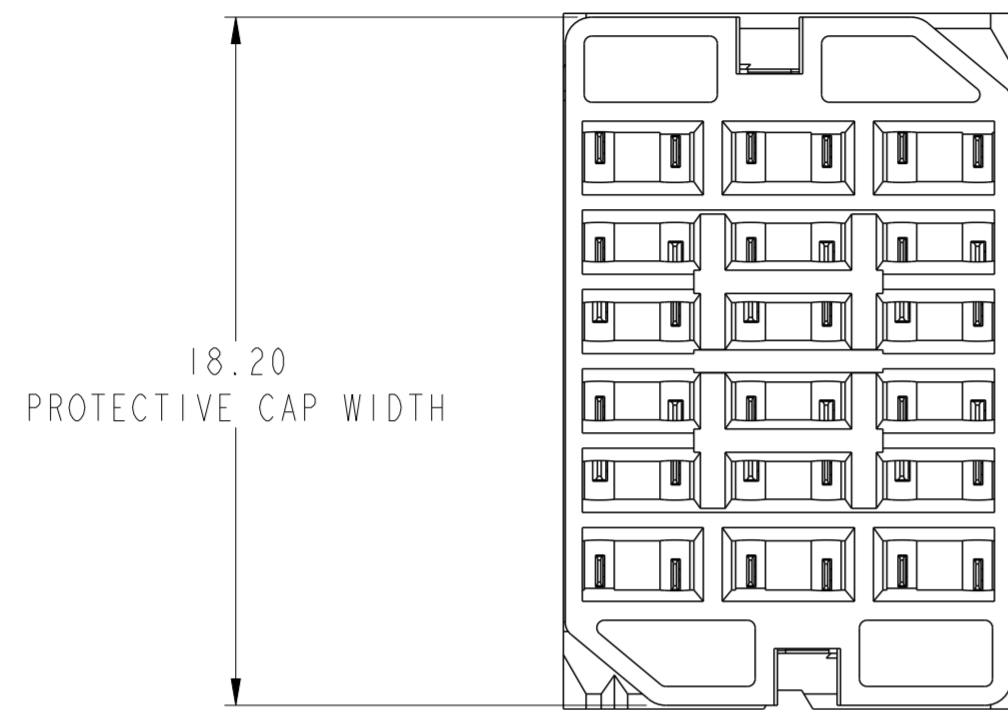


Product number  
SEE TABLE, SHT 4



spec ref	-	dr	Mark Gray	2010/06/28	projection	MM	size	A2	scale	5:1
tolerance std	ASME Y14.5	eng	Tao Zhan	2013/08/15			ecn no	ELX-DG-15488-1		
TOLERANCES UNLESS OTHERWISE SPECIFIED		chr	-	rel level			Released			
surface	✓	appr	Pei-Ming Zheng	2013/08/19	product family	AIRMAX VS	div no	10115031	rev	B
ASME Y14.5	linear	0.X	±0.3		title		AIRMAX VS2 VERTICAL HEADER		cat. no.	
	0.XX	±0.10	PRESS-FIT, 54 POS, 12 mm		Product - Customer Drw		sheet 1 of 4			
	0.XXX	±0.050								
	angular	0°	±2°							

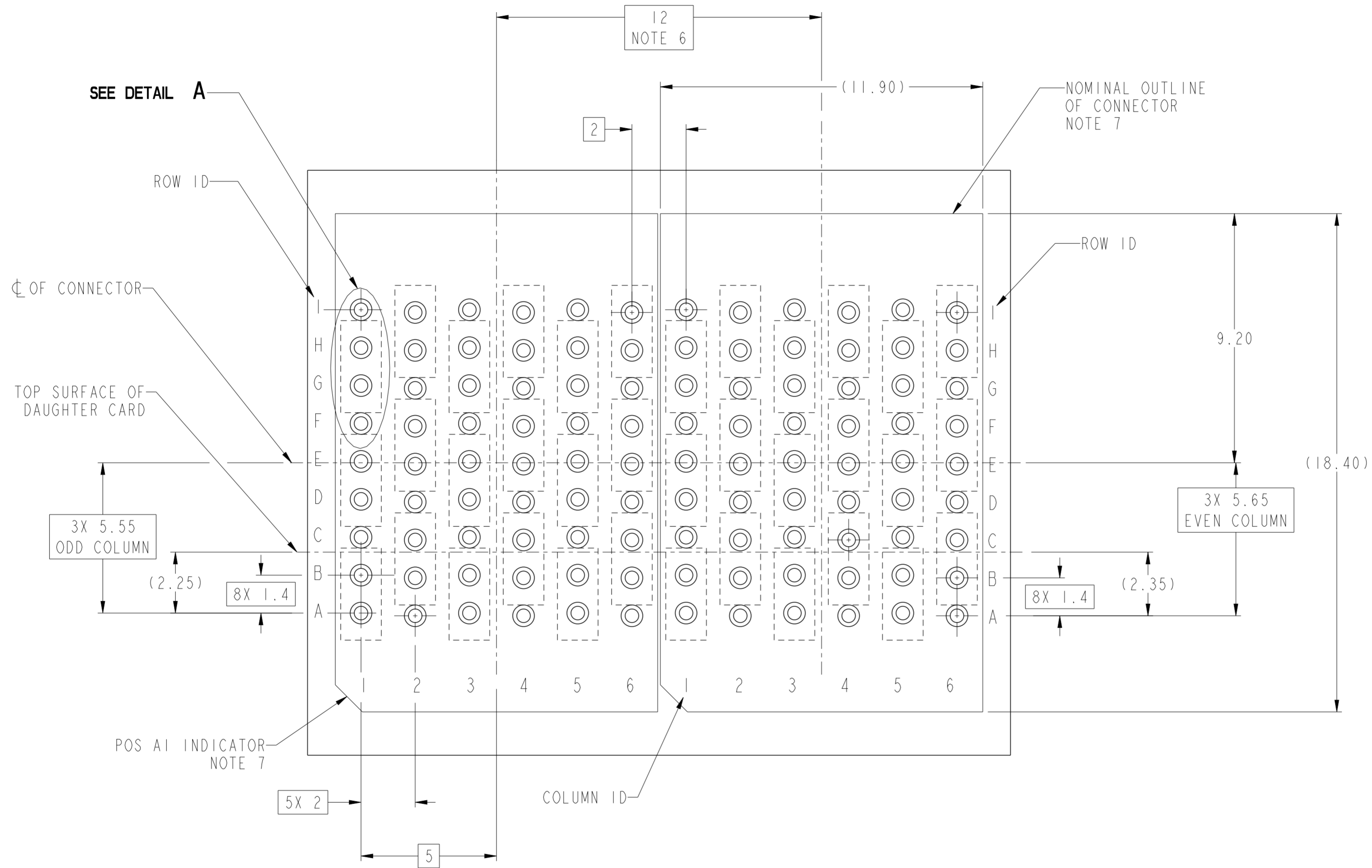
Copyright FCI. FCI



VIEWS SHOWN WITH  
PROTECTIVE COVER INSTALLED

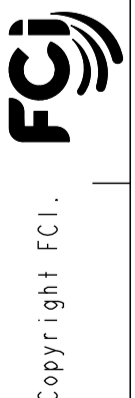
Copyright FCI.  
**FCI**

spec ref	-	dr	Mark Gray	2010/06/28	projection	MM	size	A2	scale	5:1
tolerance std	ASME Y14.5	eng	Tao Zhan	2013/08/15			ecn no	ELX-DG-15488-1		
		chr	-	rel level			Released			
		appr	Pei-Ming Zheng	2013/08/19	product family	AIRMAX VS	cat. no	10115031	rev	B
surface	✓	linear	0.X	±0.3			<b>AIRMAX VS2 VERTICAL HEADER</b>		Product - Customer Drw	
			0.XX	±0.10	<a href="http://www.fci.com">www.fci.com</a>		PRESS-FIT, 54 POS, 12 mm		sheet 2 of 4	
		angular	0°	±2°	PDS: Rev :B		STATUS:Released		Printed: Aug 19, 2013	



RECOMMENDED PCB LAYOUT  
FOR DIFFERENTIAL APPLICATIONS,  
COMPONENT SIDE  
(TWO ADJACENT FOOTPRINTS SHOWN)  
NOTES 6, AND 8



spec ref	-	dr	Mark Gray	2010/06/28	projection	MM	size	A2	scale	3:1					
tolerance std	ASME Y14.5	eng	Tao Zhan	2013/08/15			ecn no	ELX-DG-15488-1							
TOLERANCES UNLESS OTHERWISE SPECIFIED		chr	-	rel level			Released								
surface	✓	appr	Pei-Ming Zheng	2013/08/19			product family	AIRMAX VS	div no	10115031	rev	B			
ASME Y14.5	linear	0.X	±0.3	0.XX	±0.10	0.XXX	±0.050	angular	0°	±2°	www.fci.com	cat. no.	-	Product - Customer Drw	sheet 3 of 4

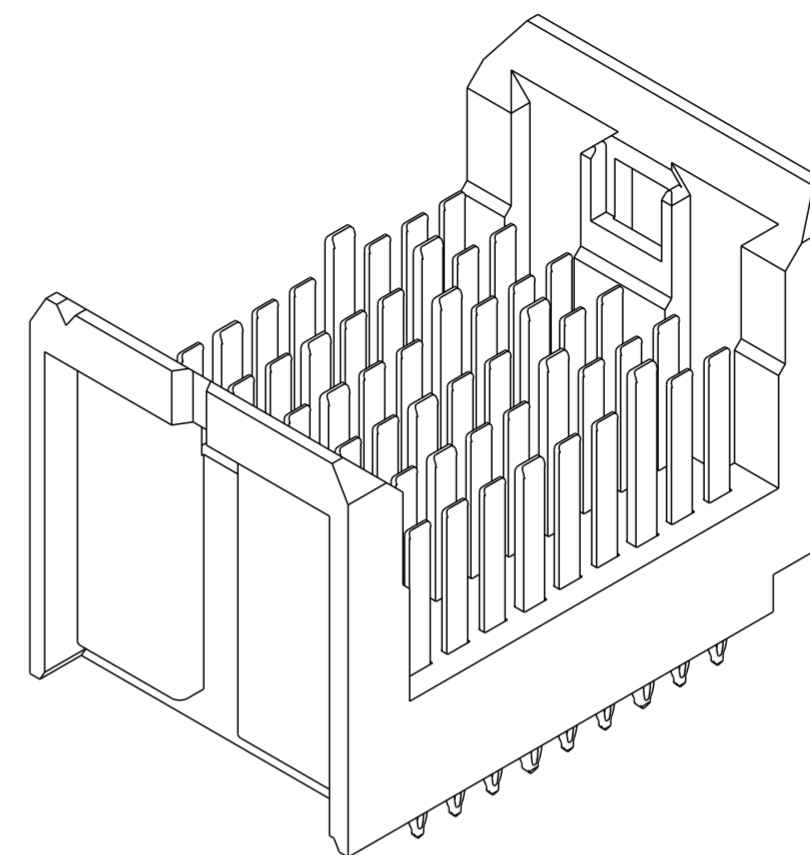


Copyright FCI.

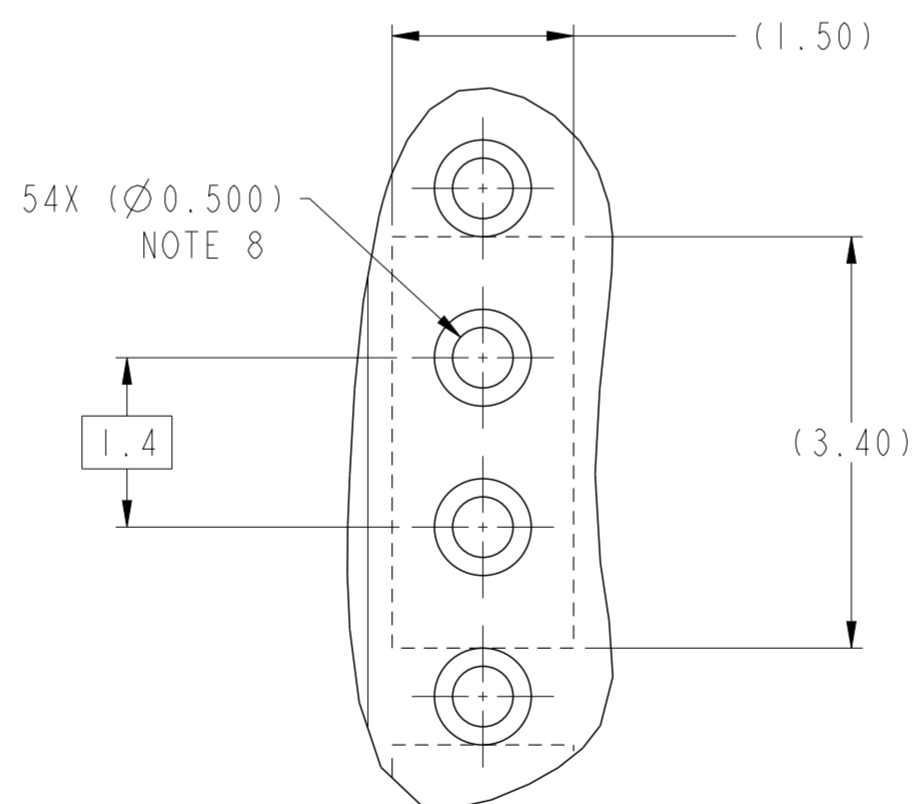
PART NUMBER	PRESS-FIT TAIL PLATING TYPE	PROTECTIVE COVER	FIRST MATE PIN LOCATIONS (5.6mm)
10115031-101LF	TIN OVER NICKEL (LEAD FREE)	YES	F1, F3, F5, G2, G4, G6

NOTES:

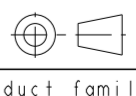
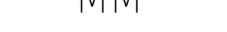

1. CONNECTOR MATERIALS:  
HOUSING: HIGH TEMP THERMOPLASTIC, BLACK, UL94V-0  
CONTACT: COPPER ALLOY
  2. CONTACT PLATING:  
SEPARABLE INTERFACE: PERFORMANCE-BASED PLATING, QUALIFIED TO MEET THE REQUIREMENTS OF FCI PRODUCT SPECIFICATION GS-12-239 INCLUDING TELCORDIA GR-1217-CORE (NOVEMBER 1995) CENTRAL OFFICE TEST SEQUENCE  
PRESS-FIT TAILS: SEE TABLE
  3. PRODUCT SPECIFICATION: GS-12-239.
  4. APPLICATION SPECIFICATION: GS-20-035.
  5. PRODUCT MARKING, (PROTOTYPE, PART NUMBER & LOT CODE), ON THIS SURFACE.
  6. THE MINIMUM CENTERLINE SPACING BETWEEN ADJACENT MODULES IS 12.0 mm.
  7. CONNECTOR OUTLINE WITH HOUSING POS A1 INDICATOR MAY BE SCREEN PRINTED ONTO CUSTOMER PCB TO BE USED AS A GUIDE FOR MANUAL CONNECTOR PLACEMENT.
  8. REFER TO CUSTOMER DRAWING 10045979 FOR INFORMATION ON PCB HOLE DIAMETERS AND PLATING OPTIONS.
  9. THIS PRODUCT MEETS EUROPEAN UNION DIRECTIVES AND OTHER COUNTRY REGULATIONS AS DESCRIBED IN GS-22-008.
  10. PACKAGING MEETS GS-14-920 LEAD FREE LABELING SPECIFICATION.
- (1) FOR REMOVAL OF THE PROTECTIVE CAP BY HAND GRIP USING THESE SURFACES. 
- (2) FOR REMOVAL OF THE PROTECTIVE CAP WITH PLIERS GRIP USING THIS FEATURE. 



10115031-101LF



DETAIL A  
SCALE 16:1

spec ref	-	dr	Mark Gray	2010/06/28	projection	MM	size	A2	scale	5:1		
tolerance std	ASME Y14.5	eng	Tao Zhan	2013/08/15			ecn no	ELX-DG-15488-1				
		chr	-	appr			Pei-Ming Zheng	2013/08/19	product family	AIRMAX VS	rel level	Released
surface	✓	linear	0.X	±0.3		<b>AIRMAX VS2 VERTICAL HEADER</b> PRESS-FIT, 54 POS, 12 mm	divg no 10115031	rev B	www.fci.com			
			0.XX	±0.10					cat. no.	-	Product - Customer Drw	sheet 4 of 4
		angular	0°	±2°								