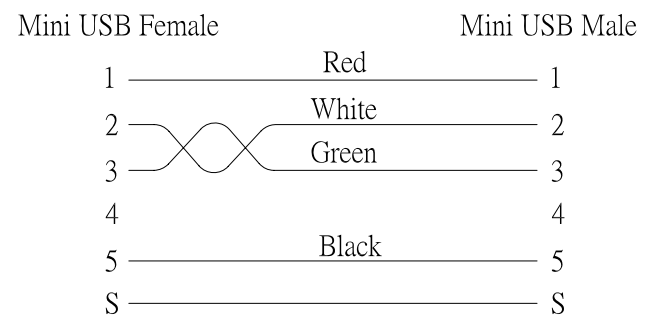


OPEN/SHORT TEST: 100% TEST
INSULATION: 5M.

PIN ASSIGNMENT:



5	PVC 45P Black	10.3g
4	Transparent LDPE	2.1g
3	USB 2.0 Mini-B 5pin Male, Shell: Nickel Plated Contact: Gold Plated FU"	1PCS
2	USB 2.0 Mini-B 5pin Female, Shell: Nickel Plated Contact: Gold Plated FU"	1PCS
1	UL2725 28AWG(7/0.12TC)*1P+24AWG(7/0.20TC)*2C+AEB(16/4/0.12TC), PVC Jacket, OD=4.5±0.2mm, Black	1PCS
No.	Description	Q'ty

Company	Goods Code	Draw	ZML	Date	2016.09.13
ITEM NO.	Mini USB F-Mini USB M-30CM	Check		Date	
Goods NO.	Drawing Evidence:	Approval		Date	
Original NO.	Unit(mm)	Audit		Date	

Premier Cable

D		
C		
B		
VER.	REVISE	Date