

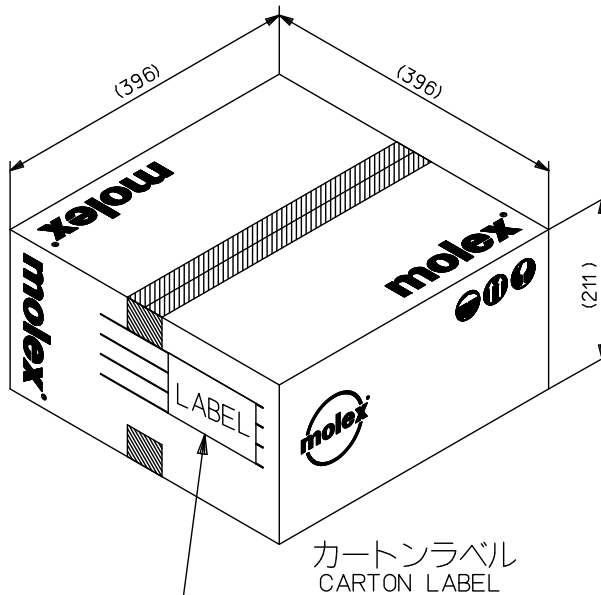
1. 製品名称／PRODUCT NAME : NEW 2.0 WIRE TO BOARD CONN. RECEPTACLE HOUSING
 製品番号／PART NUMBER : 5 1 0 6 5 - * * 0 ☆
 (* * は極数を示し、☆は色を示す)
 (* * IS CIRCUITS SIZE, ☆ IS COLOR)

2. 標準梱包数／STANDARD PACKAGING QUANTITY

極 数 CKT. SIZE	ポリ袋 POLY BAG	外装カートン SHIPPING CARTON	
	1袋中の製品数 QUANTITY IN ONE BAG	ポリ袋の数 NUMBER OF POLY BAG	製品数 QUANTITY
2	1,000	90	90,000
3	1,000	80	80,000
4	1,000	60	60,000
5	1,000	50	50,000
6	1,000	40	40,000
7	1,000	30	30,000
8	1,000	30	30,000
9	1,000	30	30,000
10	1,000	25	25,000
11	500	50	25,000
12	500	50	25,000
13	500	40	20,000
14	500	40	20,000
15	500	40	20,000

REV.	B																						
SHEET	1~2																						
REVISE ON PC ONLY										TITLE:													
B	REVISED J2013-0906 2013/02/15 Y.TOKUZONO					5 1 0 6 5 梱包仕様書 SALES PACKAGING SPEC. FOR 51065																	
	THIS DOCUMENT CONTAINS INFORMATION THAT IS PROPRIETARY TO MOLEX INC. AND SHOULD NOT BE USED WITHOUT WRITTEN PERMISSION																						
REV.	DESCRIPTION																						
DESIGN CONTROL J					STATUS					WRITTEN BY: N.AIDA			CHECKED BY: T.HARUYAMA			APPROVED BY: N.UKITA			DATE: YR/MO/DAY 2006/01/30				
DOCUMENT NUMBER SPK-51065-001										FILE NAME SPK51065001.doc					SHEET 1 OF 2								

3. カートン外形参考寸法 / CARTON OUTER DIMENSIONS (REFERENCE PURPOSE ONLY)



カートンラベル
CARTON LABEL
(製品型番, 数量, ロットNO. 表示)
INDICATION OF PART No., QUANTITY, LOT No.

外装カートン
SHIPPING CARTON

B	REVISE ON PC ONLY	TITLE: 5 1 0 6 5 梱包仕様書 SALES PACKAGING SPEC. FOR 51065
	SEE SHEET 1 OF 2	
REV.	DESCRIPTION	THIS DOCUMENT CONTAINS INFORMATION THAT IS PROPRIETARY TO MOLEX INC. AND SHOULD NOT BE USED WITHOUT WRITTEN PERMISSION
DOCUMENT NUMBER SPK-51065-001		FILE NAME SPK51065001.doc
		SHEET 2 OF 2