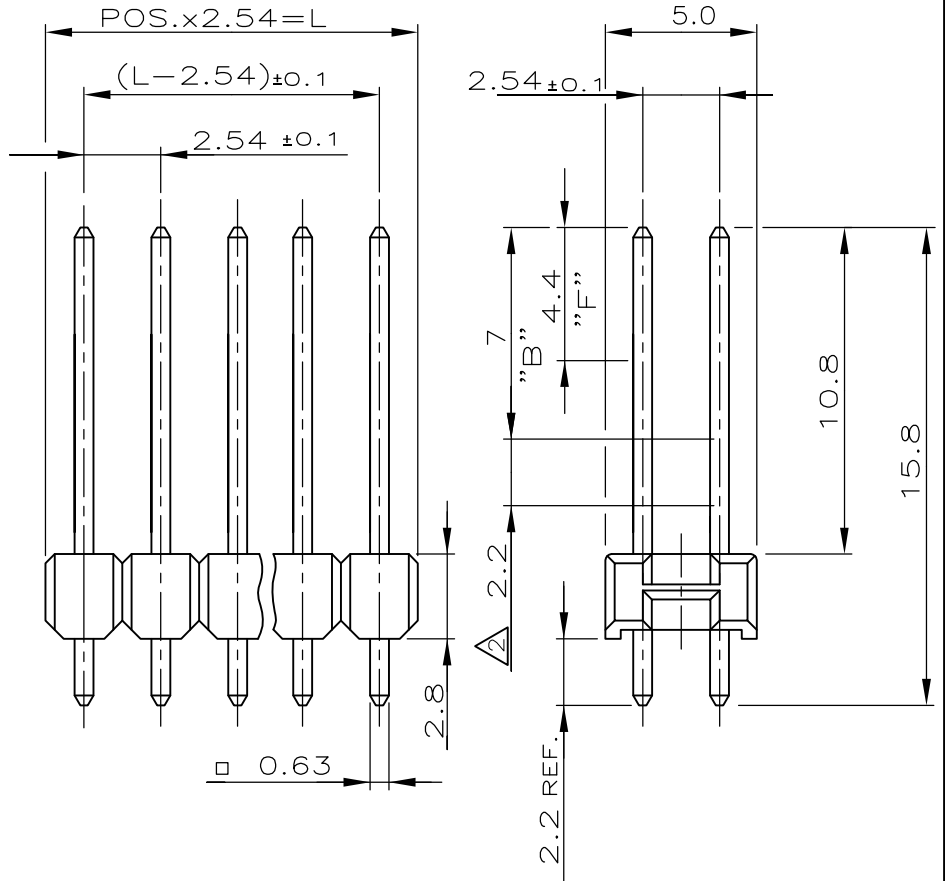


LOC	DIST	REVISIONS					
—	—	P	LTR	DESCRIPTION	DATE	DWN	APVD
		B		PLATING CHANGED TO PdNi+GOLD FLASH AT AREA "F"	20OCT2014	KJK	JK

POS PER ROW	L±0.4	PART NUMBER	
2	5.08	-2	
3	7.62	-3	
4	10.16	-4	
5	12.70	-5	
6	15.24	-6	
7	17.78	-7	
8	20.32	-8	
9	22.86	-9	
10	25.40	1-	-0
11	27.94	1-	-1
12	30.48	1-	-2
13	33.02	1-	-3
14	35.56	1-	-4
15	38.10	1-	-5
16	40.64	1-	-6
17	43.18	1- 829 377	-7
18	45.72	1-	-8
19	48.26	1-	-9
20	50.80	2-	-0
21	53.34	2-	-1
22	55.88	2-	-2 [△]
23	58.42	2-	-3
24	60.96	2-	-4
25	63.50	2-	-5
26	66.04	2-	-6
27	68.58	2-	-7
28	71.12	2-	-8
29	73.66	2-	-9
30	76.20	3-	-0
31	78.74	3-	-1
32	81.28	3-	-2
33	83.82	3-	-3
34	86.36	3-	-4
35	88.90	3-	-5
36	91.44	3-	-6
37	93.98	3-	-7
38	96.52	3-	-8
39	99.06	3-	-9
40	101.60	4-	-0
41	104.14	4-	-1
42	106.68	4-	-2
43	109.22	4-	-3
44	111.76	4-	-4
45	114.30	4-	-5
46	116.84	4-	-6
47	119.38	4-	-7
48	121.92	4-	-8
49	124.46	4-	-9
50	127.00	5- 829 377	-0



CONTACT PIN	CuSn	[△]
PIN HOUSING	PBT	GREEN
DESCRIPTION	MATERIAL	COLOR/FINISH

- [△]1 STECKSEITE:IM BEREICH "F" MIN 0.7µm PdNi + MIN 0.1µm GOLD FLASH ÜBER 1.27 µm NICKEL IM BEREICH "B"
- [△]2 LÖTSEITE: MIN. 2.5µm ZINN ÜBER 1.27µm NICKEL
- [△]2 STIFTE HIER TEILWEISE BLANK
- [△]3 OBSOLETE PARTS: OBSOLETE CIS STREAMLINING PER D.RENAUD/D.SINISI

THIS DRAWING IS UNPUBLISHED.

ALL RIGHTS RESERVED.

By -

COPYRIGHT

DIMENSIONS: mm	DWN	28.02.89	MATERIAL	SEE TABLE	FINISH	SEE NOTE 1
	CHK	A.HO				
TOLERANCES UNLESS OTHERWISE SPECIFIED: ±0.2	APVD	M.SCHAARSCHMIDT				
	PRODUCT SPEC	—				
0 PLC ± -	APPLICATION SPEC	108-18012	NAME			
1 PLC ± -			AMPMODU II PIN HEADER, DUAL ROW			
2 PLC ± -			SIZE	CAGE CODE	DRAWING NO	RESTRICTED TO
3 PLC ± -			A4	00779	C-829377	—
4 PLC ± -			CUSTOMER DRAWING			
ANGLES ± -	WEIGHT	—	SCALE	4:1	SHEET	1 OF 1
					REV	B