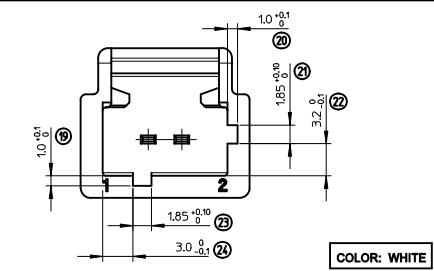
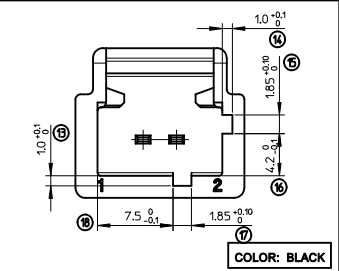
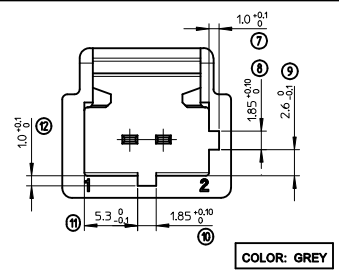
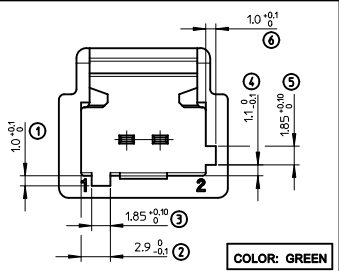
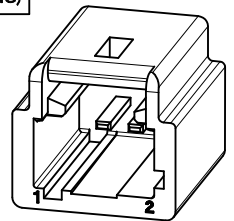


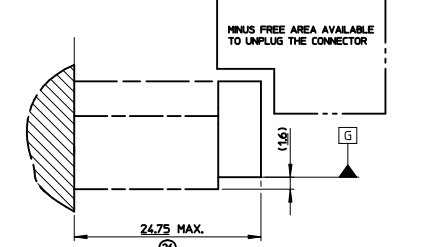
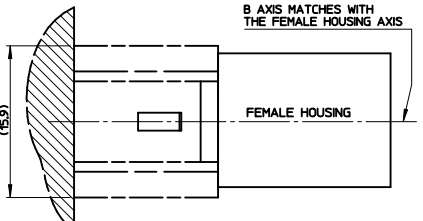
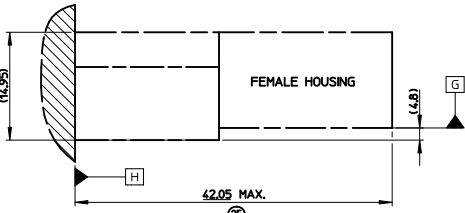
CODINGS



**ISO VIEW
(GREEN CODING)**

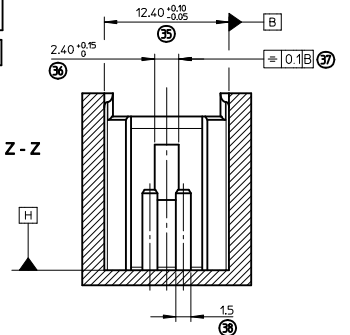
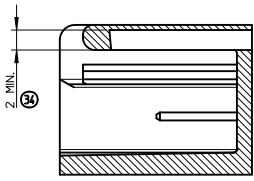


OVERALL DIMENSIONS



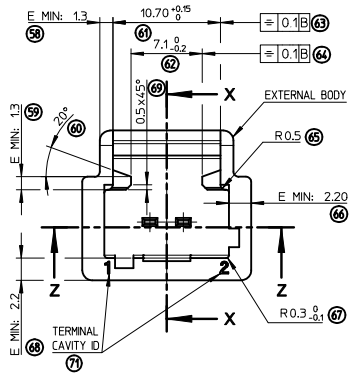
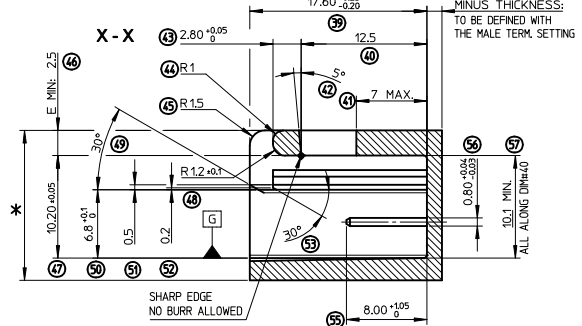
**HEADER'S DEFINITION
GREEN CODING REPRESENTED**

**X - X
VARIABLE**

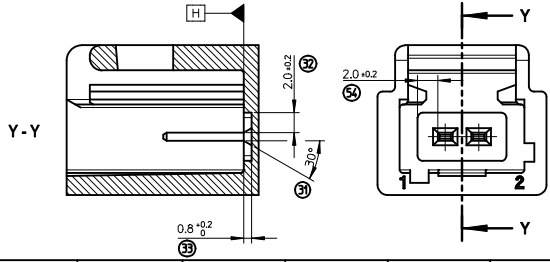


NOTES:

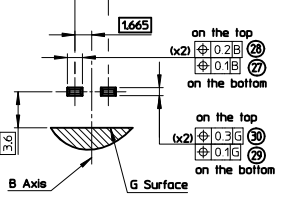
- MALE TERMINALS:**
 - MALE TERMINALS RESISTANCE: 100N MIN IN MALE TERM. AXIS.
 - MATERIAL: COPPER, COPPER ALLOY OR BRASS.
 - FINISHES: TIN PLATED 2μ MIN.
- HEADER:**
 - RADII WITHOUT DIM: R=0.3MM
 - E MIN: MINIMUM MATERIAL THICKNESS RECOMMENDED FOR SPECIFIED MATERIAL.
 - MATERIAL: PBT (RECOMMENDED) (70)
 - WARPING: 0.35MM MAX. ACCEPTED ON "*" DIM. WITH ANOTHER EXTERNAL SHAPE AS DRAWN WHEN PLUGGED.
- MATES WITH:**
 - MOLEX CONNECTORS 9887-102X



MALE TERMINALS VARIABLE SETTING



MALE TERMINALS SETTING

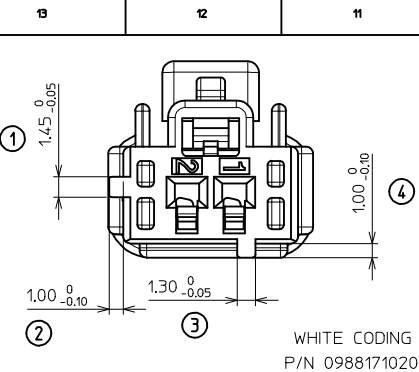


REV.	1	71		
	FIRST	LAST	DELETED	SUPERSEDED

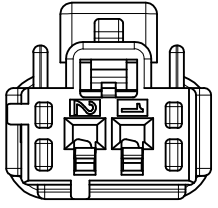
INSPECTION NUMBERS

PRINT 1ST RELEASE EC NO: G2012-0179 DRAWN BY: GDESBRUERES 2012/04/18 CHKD: JDUCCLOS 2012/04/18 APPROVED: OPLESSIS 2012/04/23	QUALITY SYMBOLS	GENERAL TOLERANCES (UNLESS SPECIFIED)	DIMENSION STYLE	SCALE	DESIGN UNITS	FIRST ANGLE PROJECTION
		mm INCH	MM ONLY	4:1	METRIC	
		4 PLACES ± --- ± ---				
		3 PLACES ± --- ± ---				
	2 PLACES ± 0.1 ± ---					
	1 PLACE ± 0.1 ± ---					
	0 PLACE ± ±					
	ANGULAR ± 2 °					
	DRAFT WHERE APPLICABLE MUST REMAIN WITHIN DIMENSIONS					

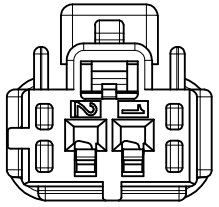
DRAWN BY: GDESBRUERES 2012/04/18	DATE: 2012/04/18	TITLE: 2W INTERFACE 15 TERM. (FOR FEMALE HOUSING)
CHECKED BY: JDUCCLOS 2012/04/18	DATE: 2012/04/18	
APPROVED BY: OPLESSIS 2012/04/23	DATE: 2012/04/23	
MATERIAL NO: N/A	DOCUMENT NO: SD-98815-002	SHEET NO: 1 OF 1
THIS DRAWING CONTAINS INFORMATION THAT IS PROPRIETARY TO MOLEX INCORPORATED AND SHOULD NOT BE USED WITHOUT WRITTEN PERMISSION		



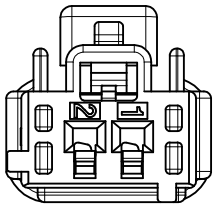
WHITE CODING
P/N 0988171020



BLACK CODING
P/N 0988171021



GREY CODING
P/N 0988171028

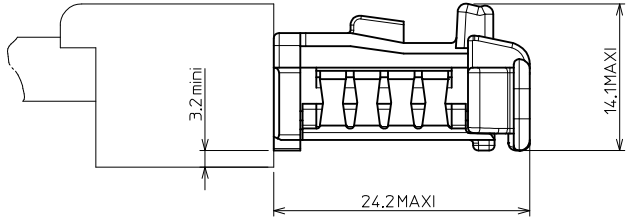
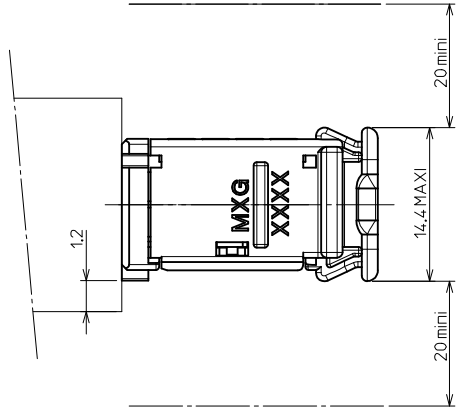


GREEN CODING
P/N 0988171025

CODING 4:1

HANDLING AREA

AREA REQUIRED TO MATE AND UNMATE THE CONNECTOR



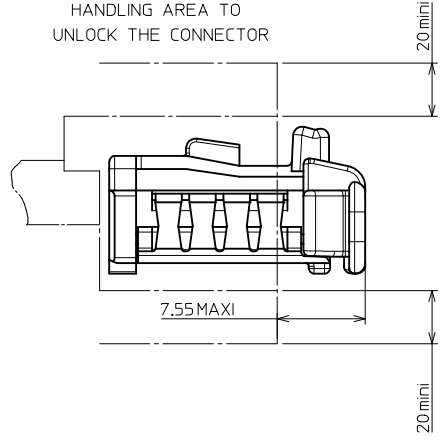
NOTE : 1 - The using conditions of the hinge are shown in the MOLEX specification n°AS-98821-001.

- 2 - Female terminal used : SCC RCPT TERM 1.5mm
 - Range 1 : 0988971109 (0.22 mm² to 2x0.22 mm²)
 - Range 2 : 0988971119 (0.5 mm² to 1 mm² included)
 - Range 3 : 0988971129 (2x0.5 mm² to 2 mm² included)

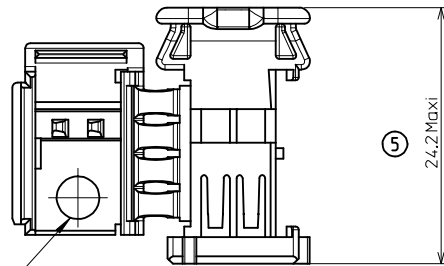
3 - Female connector will mate with male connector P/N 098822102x.

AREA REQUIRED WHEN THE CONNECTOR IS MATED

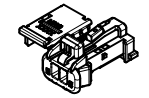
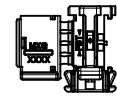
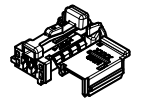
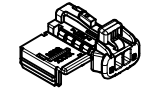
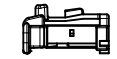
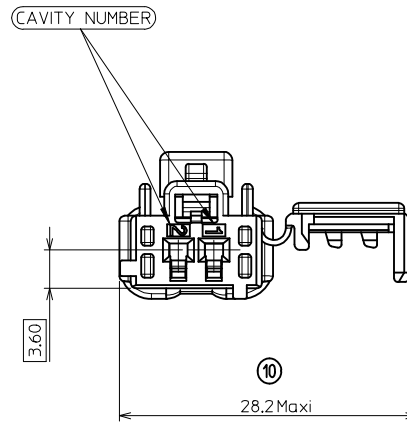
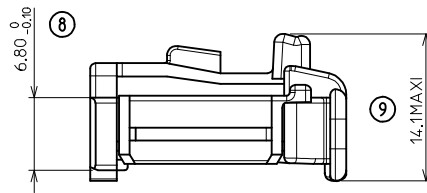
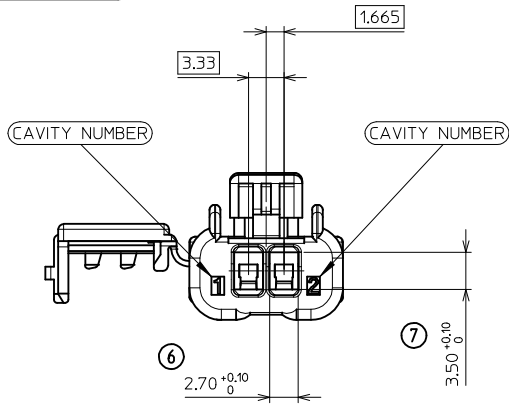
HANDLING AREA TO UNLOCK THE CONNECTOR



FIRST RELEASE EC NO: G2007-0386 DRWN: LPOUCHAUD 2008/03/10 CHKD: YIGEL 2008/03/10 APPR: LSTICKEIR 2008/03/10	QUALITY SYMBOLS 	GENERAL TOLERANCES (UNLESS SPECIFIED)		DIMENSION STYLE	SCALE	DESIGN UNITS	THIRD ANGLE PROJECTION	
				MM ONLY	3:1	METRIC		
		4 PLACES ± ---	± ---	DRAWN BY	DATE	TITLE		
		3 PLACES ± ---	± ---	LPOUCHAUD	2008/01/17	NSCC RCPT HSG 1.5 2CKT		
2 PLACES ± 0.05	± ---	CHECKED BY	DATE	MOLEX INCORPORATED				
1 PLACE ± 0.1	± ---	YIGEL	2008/01/17					
ANGULAR ± 1°		APPROVED BY	DATE	DOCUMENT NO. SD-98817-001				
DRAFT WHERE APPLICABLE MUST REMAIN WITHIN DIMENSIONS		LSTICKEIR	2008/01/25					
		MATERIAL NO.		SHEET NO. 1 OF 2				
		SEE CHART						
		SIZE A2 THIS DRAWING CONTAINS INFORMATION THAT IS PROPRIETARY TO MOLEX INCORPORATED AND SHOULD NOT BE USED WITHOUT WRITTEN PERMISSION						

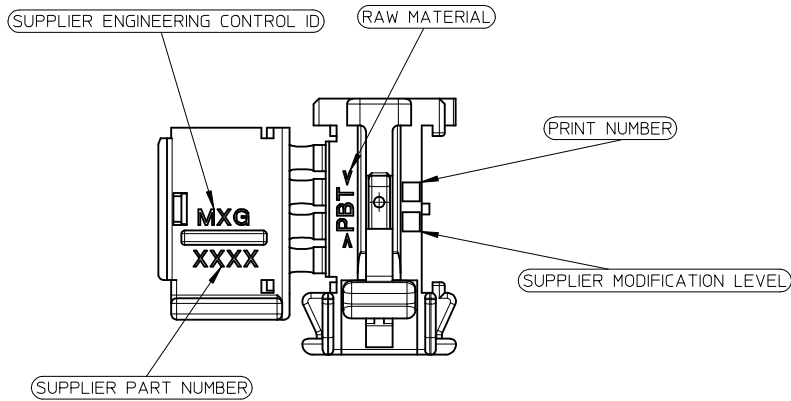


DATUM MONTH/YEAR



1:1

1:1



GREEN CODING (P/N 0988171025) IS SHOWN.

NSCC Rcpt Hsg 1.5 2CKT	0988171028	Grey	POLYESTER (PBT)	1.723 g			
	0988171025	Green					
	0988171021	Black					
	0988171020	White					
Description	Part-Number	Color	Raw Material	Weight effective			
FIRST RELEASE EC NO: G2007-0386 DRWN: LPOUCHAUD 2008/03/10 CHKD: YIGEL 2008/03/10 APPR: LSTICKEIR 2008/03/10	QUALITY SYMBOLS 	GENERAL TOLERANCES (UNLESS SPECIFIED)		DIMENSION STYLE	SCALE	DESIGN UNITS	THIRD ANGLE PROJECTION
		4 PLACES ± --- ± --- 3 PLACES ± --- ± --- 2 PLACES ± 0.05 ± --- 1 PLACE ± 0.1 ± --- ANGULAR ± 1 °	MM ONLY	3:1	METRIC		
A REV	DESCRIPTION	DRAWN BY	DATE	TITLE			
		LPOUCHAUD	2008/01/17	NSCC RCPT HSG 1.5 2CKT			
A REV	DESCRIPTION	CHECKED BY	DATE	MOLEX INCORPORATED			
		YIGEL	2008/01/17	SD-98817-001 SHEET NO. 2 OF 2			
A REV	DESCRIPTION	APPROVED BY	DATE	THIS DRAWING CONTAINS INFORMATION THAT IS PROPRIETARY TO MOLEX INCORPORATED AND SHOULD NOT BE USED WITHOUT WRITTEN PERMISSION			
		LSTICKEIR	2008/01/25				
		MATERIAL NO.	DOCUMENT NO.				
		SEE CHART					