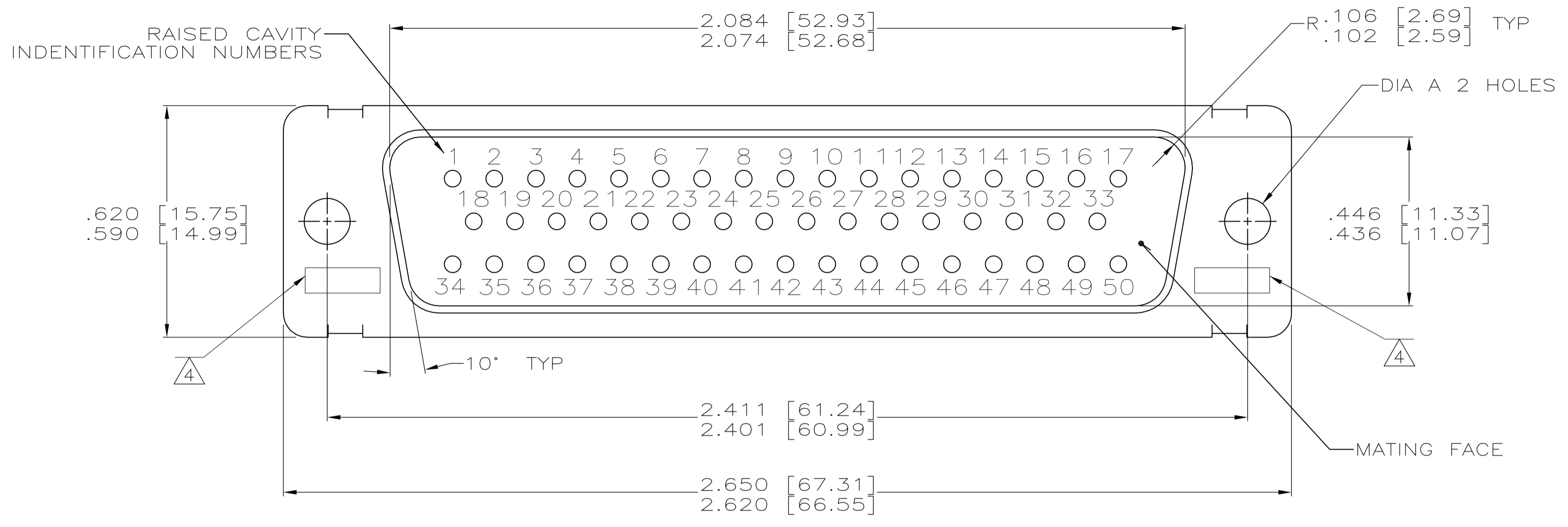
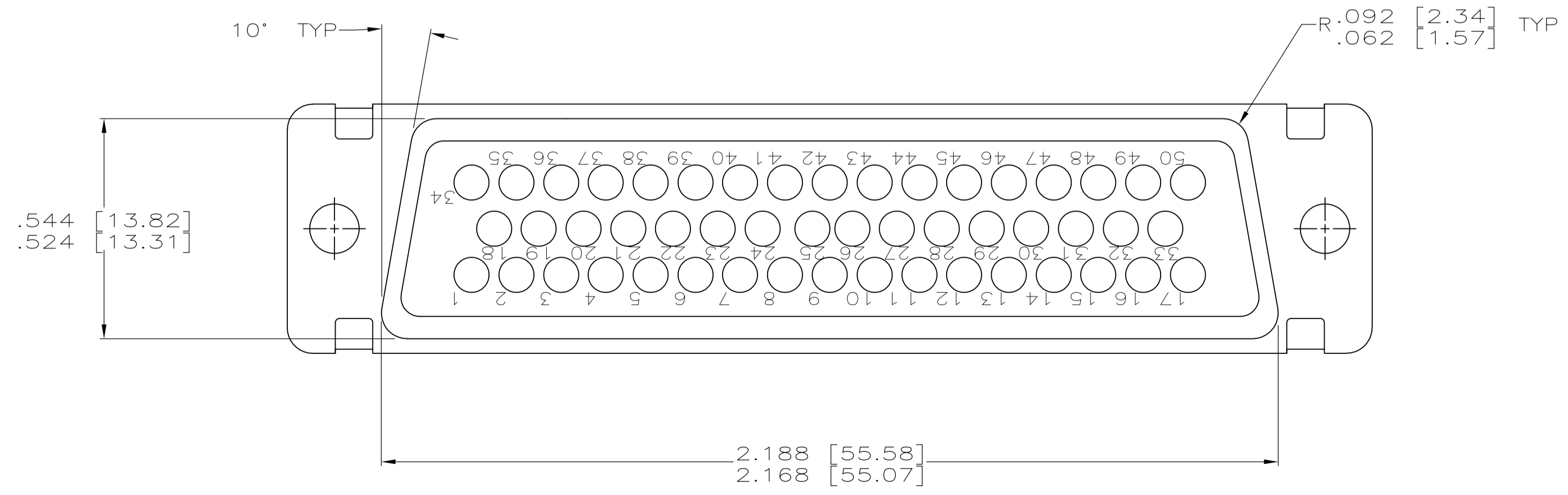
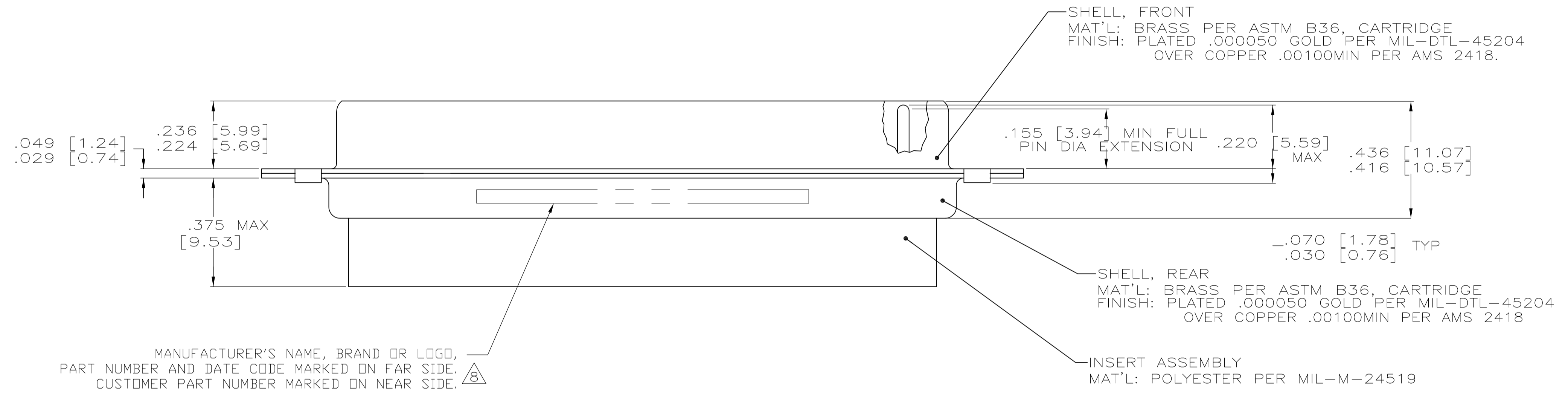


| REVISONS |             | DATE        | DWN       | APVD  |
|----------|-------------|-------------|-----------|-------|
| LOC      | DIST        | DESCRIPTION |           |       |
| J        | REV PER ECO | 09-001200   | 21JAN2009 | PK RL |



1. THIS PLUG WILL MATE WITH ANY RECEPTACLE CONNECTOR WITH THE SAME INSERT ARRANGEMENT AS DEFINED BY MS18277-1.
  2. MAXIMUM WIRE INSULATION USED WITH THIS PLUG IS .072 [1.83] DIA.
  3. Be-Cu RETENTION CLIPS ARE INCLUDED IN INSERTS.
  4. UL/CSA DESIGNATION STAMPED IN THIS AREA, OPTIONAL.
  5. RESTRICTED TO CAE ELECTRONIC ONLY.
  6. THESE CONNECTORS ARE QUALIFIED TO GODDARD SPACE FLIGHT CENTER SPECIFICATION S-311-P-4.
  7. CONTACT NOT INCLUDED - SHOWN FOR DIMENSIONAL REFERENCE ONLY.
8. FAR SIDE REFERS TO WIDE SIDE OF KEYSTONE.



| 5/6     | .120 [3.05] | 1A01-031PHA               | 206804-5             | 206804-5 |
|---------|-------------|---------------------------|----------------------|----------|
| 5/6     | .120 [3.05] | 311P409-5P-B-12           | 206804-2             | 206804-4 |
|         | .154 [3.91] | N/A                       | 206804-3             | 206804-3 |
| 6       | .120 [3.05] | 311P409-5P-B-12           | 206804-2             | 206804-2 |
| 6       | .154 [3.91] | 311P409-5P-B-15           | 206804-1             | 206804-1 |
| REMARKS | DIA A       | CUSTOMER P/N ON CONNECTOR | MFG P/N ON CONNECTOR | MFG P/N  |

|  |  |                              |   |                              |
|--|--|------------------------------|---|------------------------------|
| THIS DRAWING IS A CONTROLLED DOCUMENT. |  | DWN<br>AJ GRAFF<br>12-23-92  | Tyco Electronics Corporation<br>Harrisburg, PA 17105-3608 |                              |
| DIMENSIONS: INCHES                     |  | CHK<br>B GILLMAN<br>12-24-92 | NAME<br>Tyco Electronics                                  |                              |
| TOLERANCES UNLESS OTHERWISE SPECIFIED: |  | APVD                         | PRODUCT SPEC<br>MIL-C-24308                               |                              |
| 0 PLC ± -                              |  | APPLICATION SPEC             |   |                              |
| 1 PLC ± -                              |  | SIZE<br>A1                   |   |                              |
| 2 PLC ± -                              |  | CAGE CODE<br>00779           |   |                              |
| 3 PLC ± -                              |  | DRAWING NO<br>206804         |   |                              |
| 4 PLC ± -                              |  | RESTRICTED TO                |   |                              |
| ANGLES ± -                             |  | CUSTOMER DRAWING             |   |                              |
| MATERIAL SEE CALLOUTS                  |  | FINISH SEE CALLOUTS          |   | SCALE 4:1 SHEET 1 OF 1 REV J |