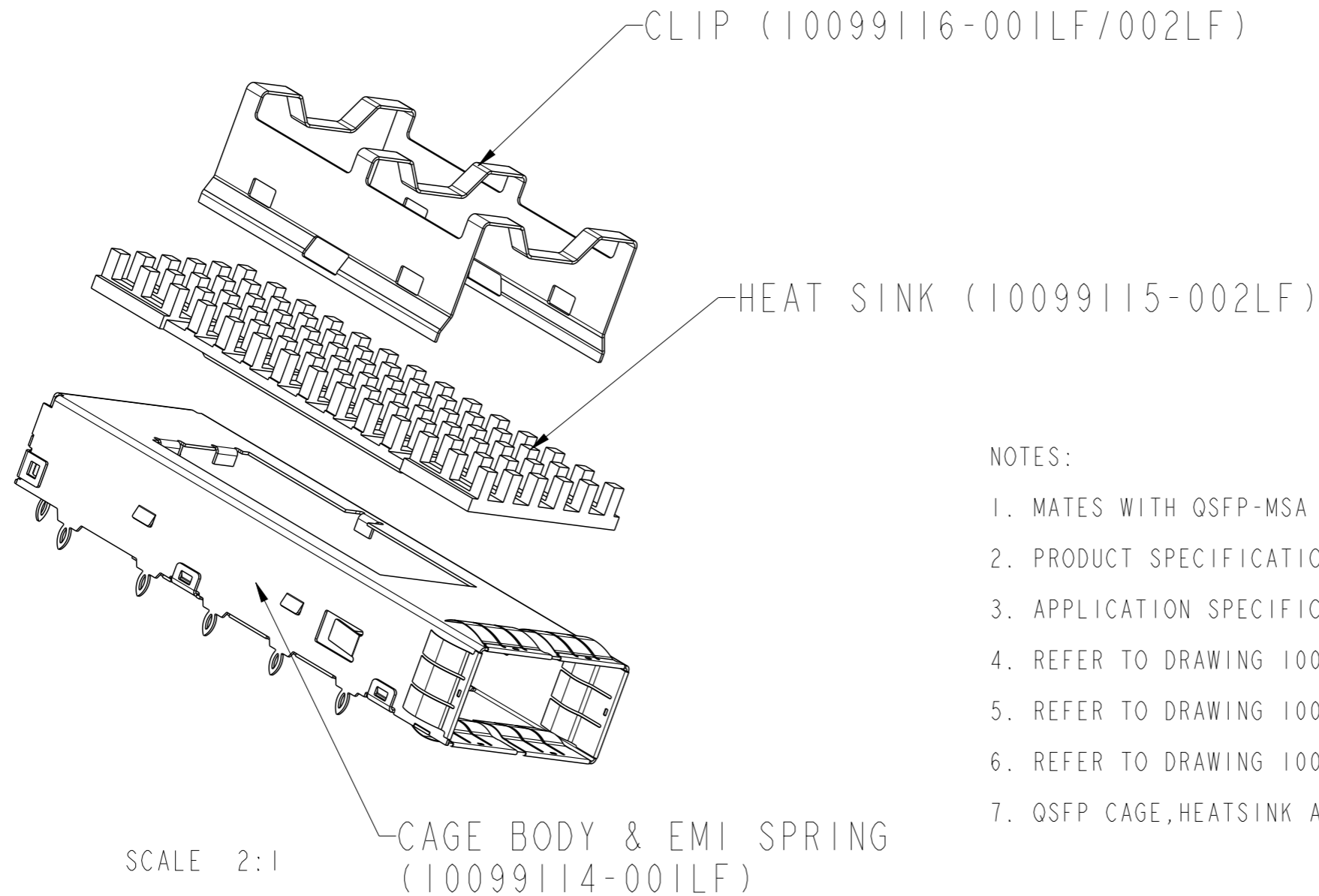


PART NUMBER	Clip	PACKAGING
10117436-001LF	10099116-001LF	TRAY
10117436-002LF	10099116-002LF	TRAY



NOTES:

1. MATES WITH QSFP-MSA COMPLIANT TRANSCEIVER.
2. PRODUCT SPECIFICATION: GS-12-622.
3. APPLICATION SPECIFICATION: GS-20-126.
4. REFER TO DRAWING 10099114 FOR DIMENSIONAL INFORMATION FOR QSFP CAGE.
5. REFER TO DRAWING 10099115 FOR DIMENSION INFORMATION FOR HEAT SINK.
6. REFER TO DRAWING 10099116 FOR DIMENSION INFORMATION FOR CLIP.
7. QSFP CAGE, HEATSINK AND CLIP WILL BE SHIPPED SEPARATELY.

QSFP CAGE KIT

3	CLIP	10099116-001LF/002LF	COPPER ALLOY
2	HEAT SINK	10099115-002LF	ALUMINUM
1	CAGE BODY & EMI SPRING	10099114-001LF	COPPER ALLOY
No.	COMPONENT NAME	FCI COMPONENT P/N	MATERIAL

spec ref	RELEASE	dr	Andy Zhang	2011/03/16	projection	MM	size	A3	scale	1:1
tolerance std	TOLERANCES UNLESS OTHERWISE SPECIFIED	eng	Art Lin	2015/05/22			ecn no	ELX-DG-20151-1		
ASME Y14.5		chr	-	-				rel level	Released	
surface		linear	appr	Pei-Ming Zheng	2015/05/24	product family	-	rel level	Released	
ASME Y14.5	angular	0°	±5°			QSFP CAGE KIT WITH HEATSINK AND CLIP	dwg no 10117436	rev C		
		www.fci.com	cat. no.	-	Product - Customer Drw			sheet 1 of 4		

1

2

3

4

A

B

C

D

A

B

C

D

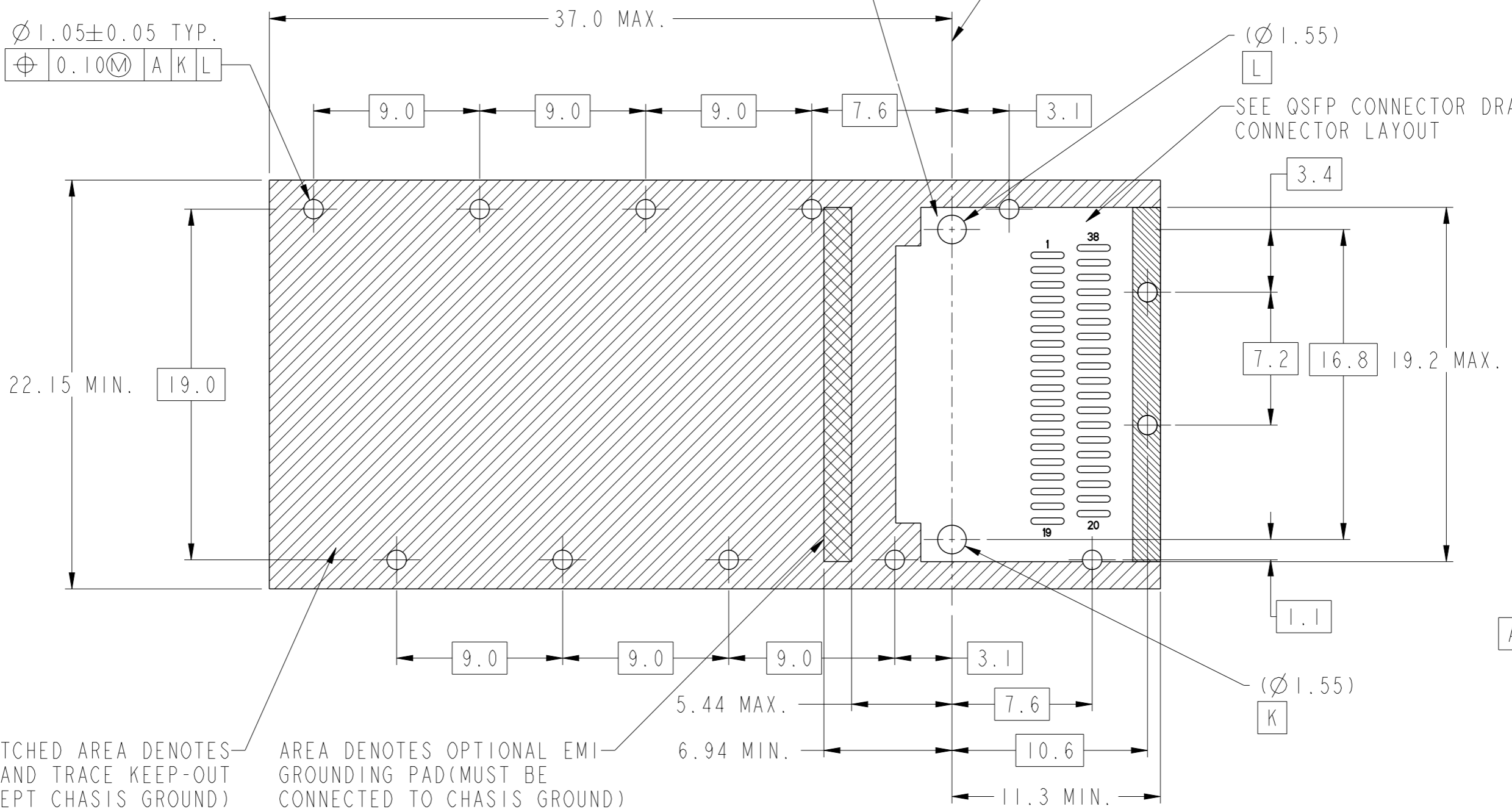
THIS AREA DENOTES COMPONENT KEEP-OUT (TRACES ALLOWED)

Ø 1.05±0.05 TYP.
⊕ 0.10 M A K L

⊕ OF -K- & -L-

(Ø 1.55)
L

SEE QSFP CONNECTOR DRAWING FOR CONNECTOR LAYOUT



CROSS-HATCHED AREA DENOTES COMPONENT AND TRACE KEEP-OUT (EXCEPT CHASSIS GROUND)

AREA DENOTES OPTIONAL EMI GROUNDING PAD (MUST BE CONNECTED TO CHASSIS GROUND)

PCB LAYOUT FOR SINGLE SIDED APPLICATION

Copyright FCI.

spec ref	RELEASE	dr	Andy Zhang	2011/03/16	projection	MM	size	A3	scale	1:1	
tolerance std	ASME Y14.5	eng	Art Lin	2015/05/22			ecn no	ELX-DG-20151-1			
		chr	-					rel level	Released		
surface	✓	appr	Pei-Ming Zheng	2015/05/24	product family	-	rel level	Released			
							dwg no	10117436		rev	C
								Product - Customer Drw		sheet 2 of 4	

2

3

PDS: Rev :C

STATUS:Released

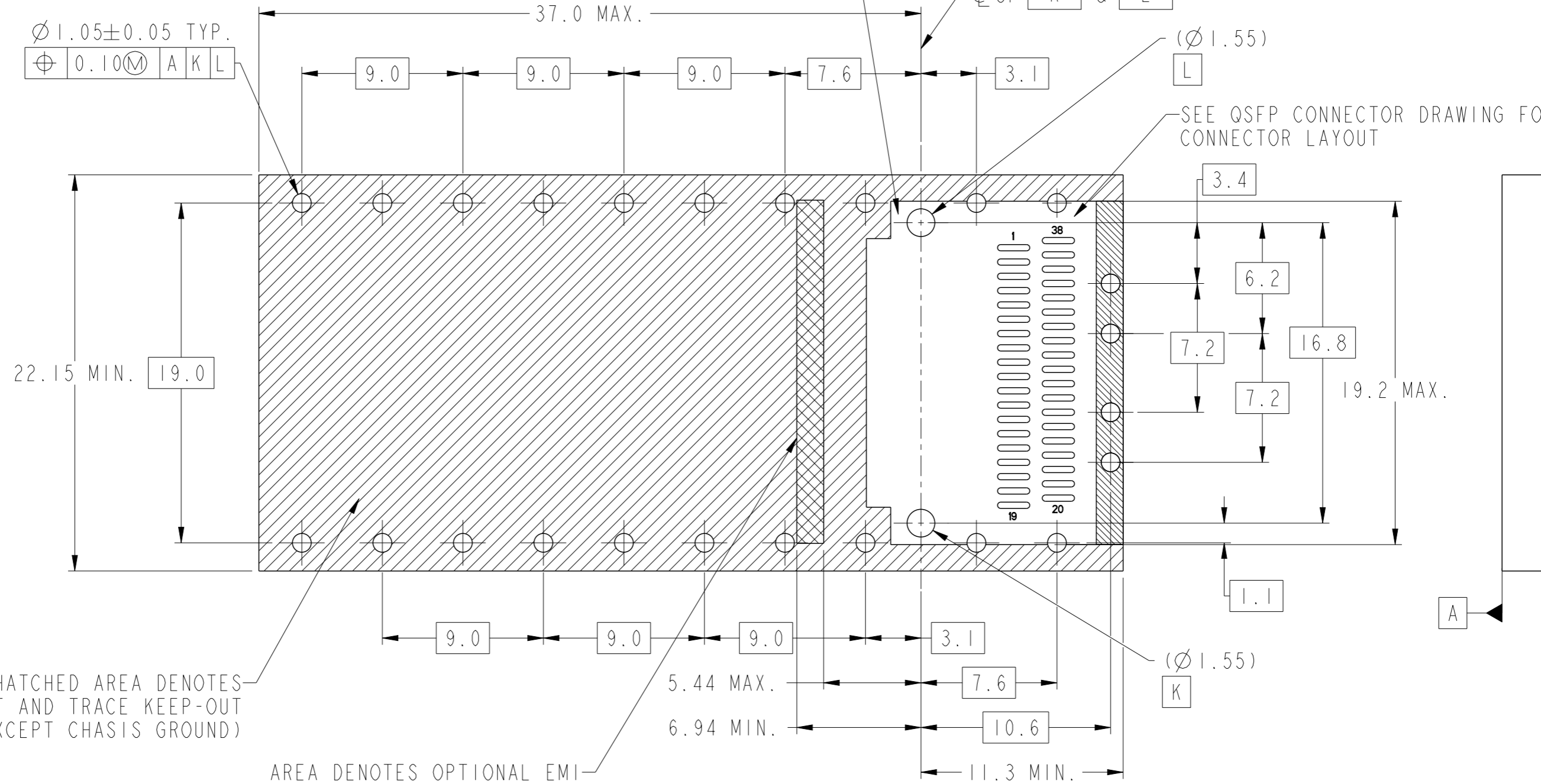
Printed: May 25, 2015

Ø 1.05 ± 0.05 TYP.
 ⊕ 0.10 (M) A K L

THIS AREA DENOTES COMPONENT KEEP-OUT (TRACES ALLOWED)

(Ø 1.55) L

SEE QSFP CONNECTOR DRAWING FOR CONNECTOR LAYOUT



CROSS-HATCHED AREA DENOTES COMPONENT AND TRACE KEEP-OUT (EXCEPT CHASIS GROUND)

AREA DENOTES OPTIONAL EMI GROUNDING PAD (MUST BE CONNECTED TO CHASIS GROUND)

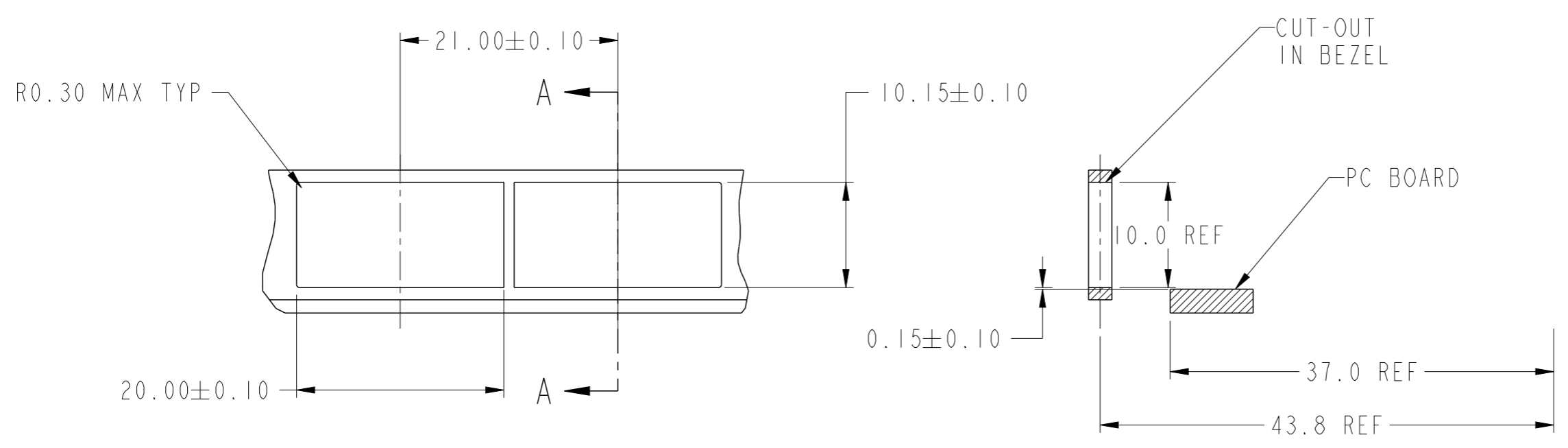
PCB LAYOUT FOR BELLY TO BELLY APPLICATION

spec ref		RELEASE		dr	Andy Zhang	2011/03/16	projection		size	A3	scale	1:1			
tolerance std		TOLERANCES UNLESS OTHERWISE SPECIFIED		eng	Art Lin	2015/05/22		MM	ecn no		ELX-DG-20151-1				
ASME Y14.5				chr	-	-			rel level		Released				
surface		✓ linear ASME Y14.5 angular	0.X	±0.50					product family		-	title QSFP CAGE KIT WITH HEATSINK AND CLIP www.fci.com	cat. no. -	dwg no 10117436	rev C
			0.XX	±0.25	Product - Customer Drw				sheet	3 of 4					
			0.XXX	±	PDS: Rev :C				STATUS:Released	Printed: May 25, 2015					
			0°	±5°											

Copyright FCI.

A

B

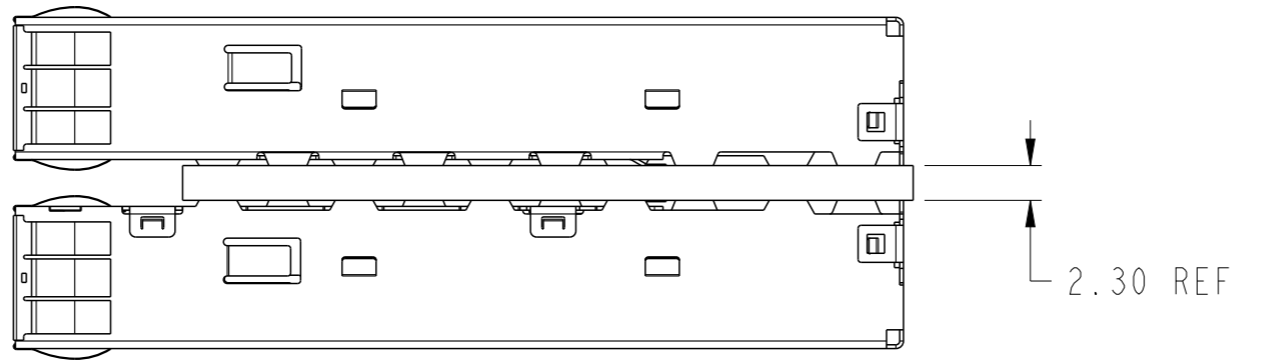


RECOMMENDED BEZEL DESIGN

SECTION A-A

FROM CL BEZEL TO -K- & -L-

C



BEZEL CUTOUT LOCATIONS FOR BELLY TO BELLY APPLICATIONS ARE DEPENDENT ON PCB THICKNESS



Copyright FCI.

D

spec ref	RELEASE	dr	Andy Zhang	2011/03/16	projection	MM	size	A3	scale	1:1
tolerance std	ASME Y14.5	eng	Art Lin	2015/05/22			ecn no	ELX-DG-20151-1		
	TOLERANCES UNLESS OTHERWISE SPECIFIED	chr	-					rel level	Released	
surface	✓	appr	Pei-Ming Zheng	2015/05/24	product family	-	dwg no	10117436	rev	C
linear	0.X ±0.50 0.XX ±0.25 0.XXX ±-	www.fci.com		cat. no.	-	Product - Customer Drw				
ASME Y14.5	angular 0° ±5°					PDS: Rev :C		STATUS:Released		Printed: May 25, 2015

A

B

C

D