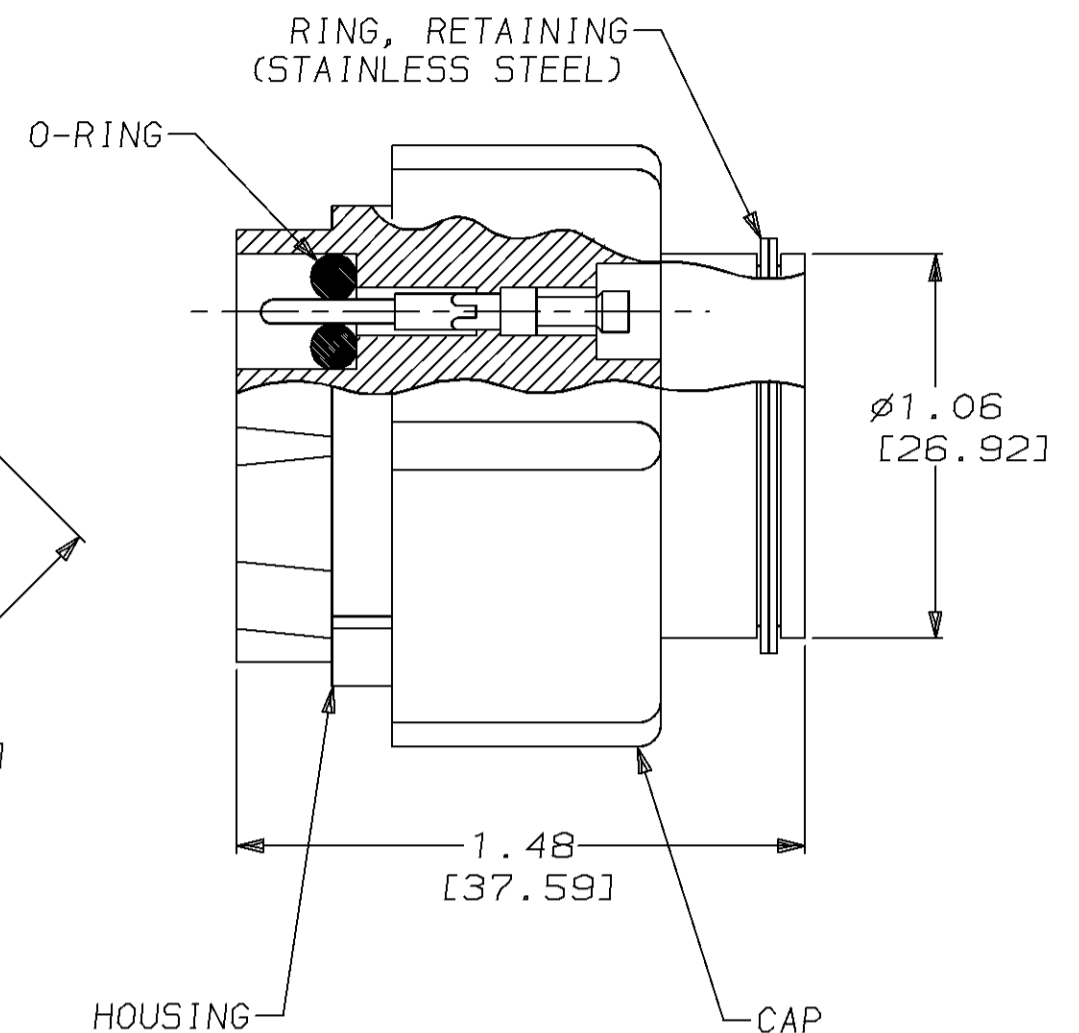
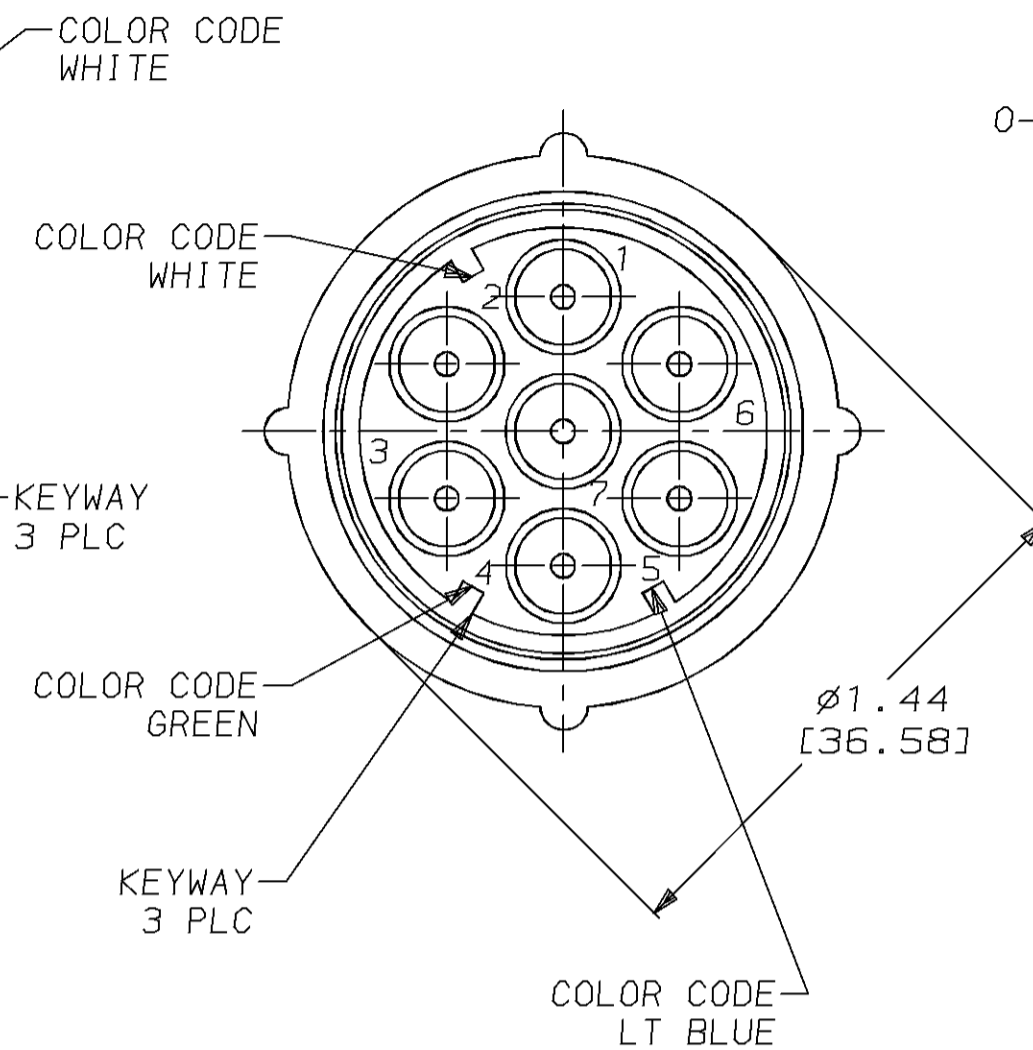
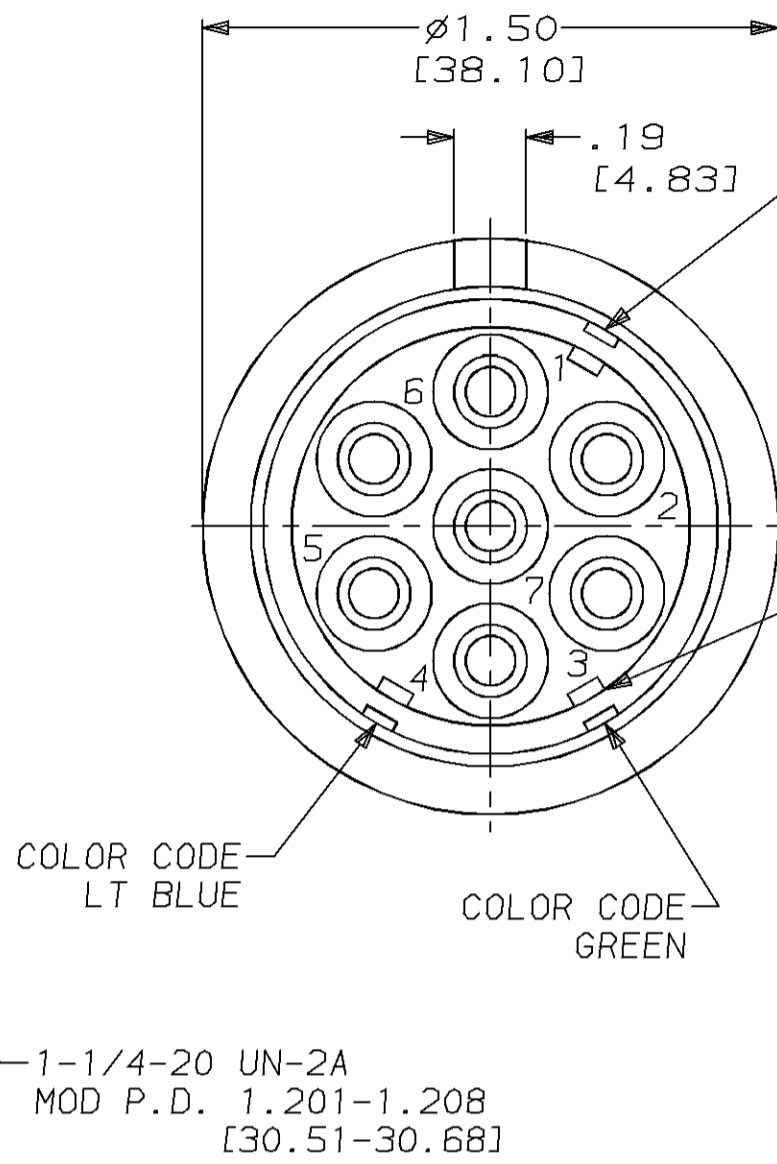
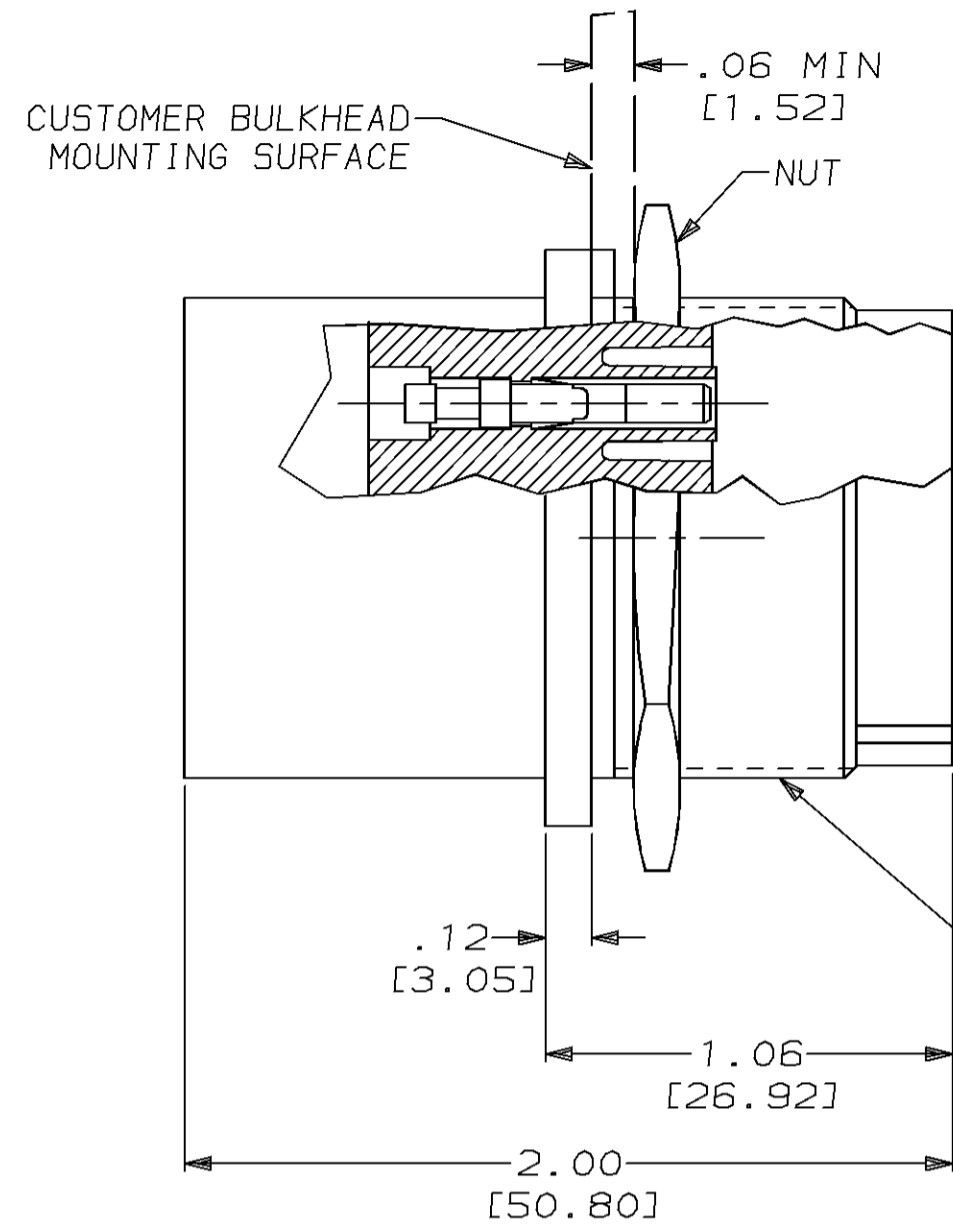


THIS DRAWING IS UNPUBLISHED. RELEASED FOR PUBLICATION
 BY AMP INCORPORATED. ALL RIGHTS RESERVED.

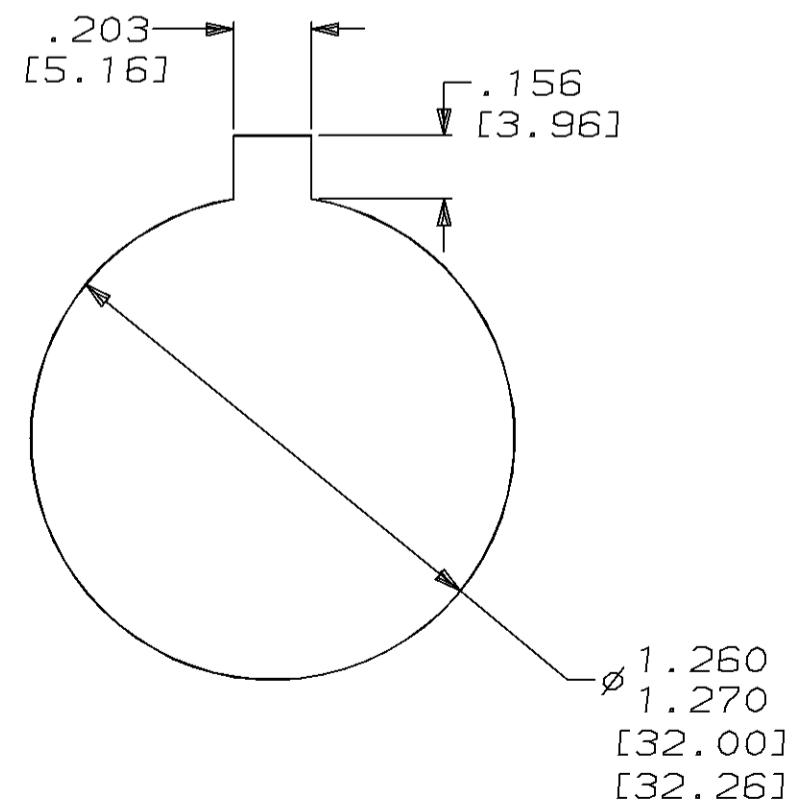
LOC	DIST	REVISIONS			
P	LTR	DESCRIPTION	DATE	DWN	APVD
DF	SO				
		K REV PER 0600-2174-94	04-19-95	TT	DE



RECEPTACLE

PLUG

- 1. MARK PER AMP SPEC 118-3600 (WHITE) #7254.
- 2. TYPE II PINS & SOCKETS, WIRE RANGE #20 AWG -#24 AWG.
- 3. TYPE II PINS & SOCKETS, WIRE RANGE #16 AWG -#18 AWG.
- 4. TYPE II PINS & SOCKETS, WIRE RANGE #14 AWG.



RECOMMENDED PANEL CUTOUT

REMARKS	COLOR CODE	HAND TOOL	WIRE SIZE RANGE	PLUG	RECEPTACLE	PART NUMBER	
OBSOLETE	4	NO	45098	14	861648-9	861647-9	860825-8
	3	NO	45098	16, 18	861648-8	861647-8	860825-7
	2	NO	45099	20, 22, 24	861648-7	861647-7	860825-6
OBSOLETE	4	YES	45098	14	861648-5	861647-5	860825-5
OBSOLETE	-	YES	5 COAX 69656	20, 24 & COAX	861648-4	861647-4	860825-4
OBSOLETE	-	YES	1 COAX 69656	20, 24 & COAX	861648-3	861647-3	860825-3
	3	YES	45098	16, 18	861648-2	861647-2	860825-2
	2	YES	45099	20, 22, 24	861648-1	861647-1	860825-1

THIS DRAWING IS A CONTROLLED DOCUMENT FOR AMP INCORPORATED. IF IS SUBJECT TO CHANGE AND THE CONTROLLING ENGINEERING ORGANIZATION SHOULD BE CONTACTED FOR THE LATEST REVISION.

DWN T. THOMPSON 03-08-95	AMP Incorporated Harrisburg, PA 17105-3608
CHK D. EARY 04-19-95	
APVD D. EARY 04-19-95	
PRODUCT SPEC	
APPLICATION SPEC	NAME 7 PIN PLUG & RECEPTACLE KIT LGH
WEIGHT	SIZE A2
CUSTOMER DRAWING	CAGE CODE 00779
	DRAWING NO C-860825
	SCALE 2:1
	SHEET 1 OF 1
	REV K

860825

B

A