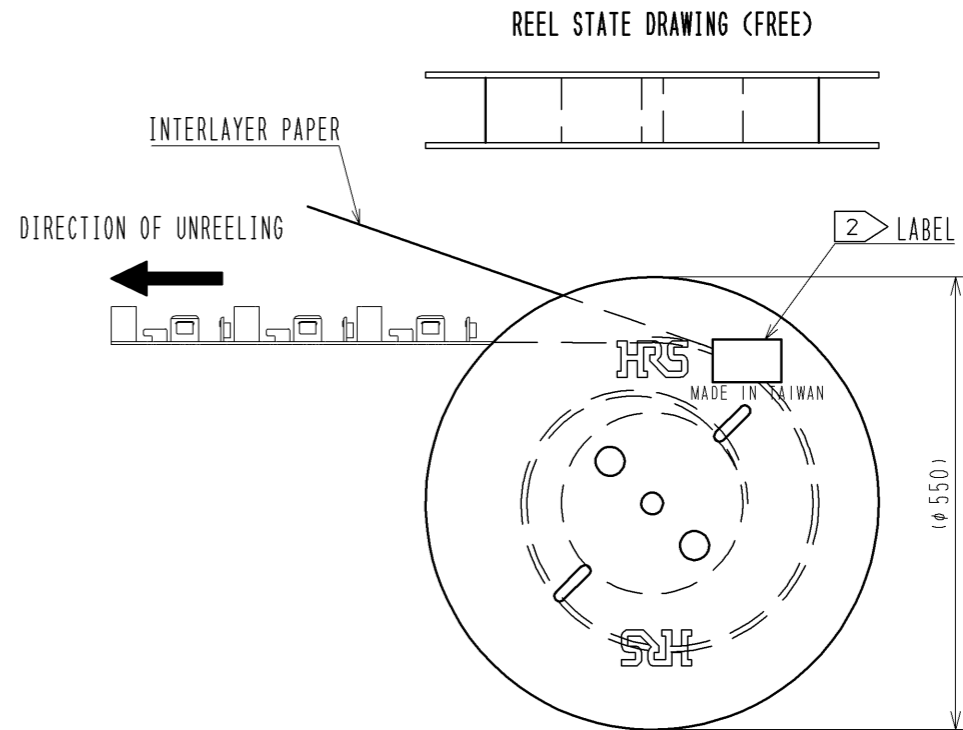
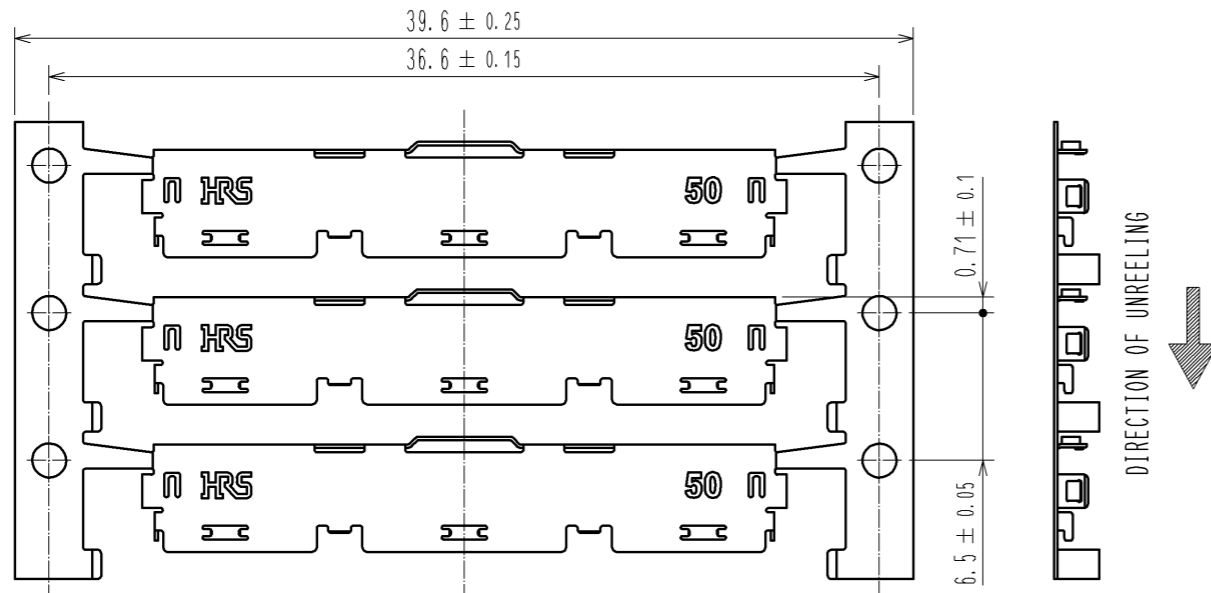


CAREER STATE DRAWING(FREE)



NOTES

- 1. PER REEL:10000 COMPONENTS
- 2. DETAILS OF THE LABEL ARE SHOWN BELOW.
- 3. THE ASSEMBLY IS COMPLETED BY COMBINING TWO PARTS 'CONNECTOR UNIT, AND METAL SHIELDING'. REFER TO THE TABLE FOR EACH ITEM No. PART NAME, PART No AND CODE No.

2 LABEL DETAILS

HRS		INSPECTION 検査
CODE NO. 品名コード	CL662-8009-4	
PART NO. 品名	DF80-50P-SHL	
QTY 数量	10,000 PCS	
PECULIAR 仕様		
Lot No		
SPLICE 継ぎ目		

3

ITEM No.	PART NAME	PART No.	CODE No.
-	CONNECTOR UNIT	DF80D-50P-0.5SD(51)	CL662-8020-7-51
1	METAL SHIELDING	DF80-50P-SHL	CL662-8009-4-00

NO.	MATERIAL	FINISH . REMARKS	NO.	MATERIAL	FINISH . REMARKS
			1	STAINLESS	WHOLE AREA : Sn PLATING 1μmMIN UNDER PLATING : Ni PLATING 0.2μmMIN

UNITS mm	SCALE FREE	COUNT 1	DESCRIPTION OF REVISIONS DIS-D-003054	DESIGNED IO. DENPOUYA	CHECKED MH. TSUCHIDA	DATE 13.10.22
HRS	HIROSE ELECTRIC CO., LTD.	APPROVED : TS. SAKATA 12.04.17	CHECED : TS. SAKATA 12.04.17	DESIGNED : IO. DENPOUYA 12.04.17	DRAWN : IO. DENPOUYA 12.04.17	DRAWING NO. EDC3-338301-01 PART NO. DF80-50P-SHL CODE NO. CL662-8009-4-00