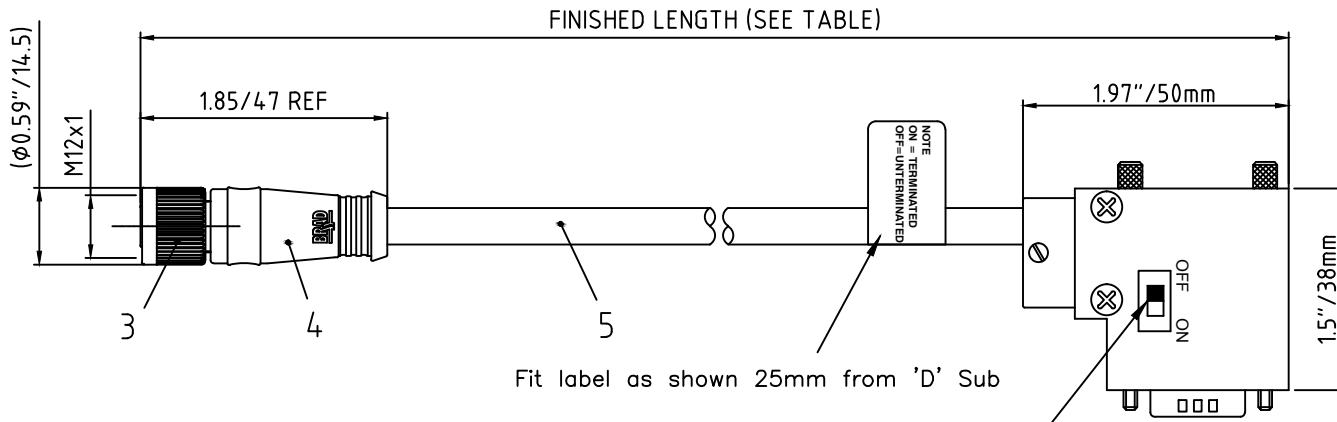
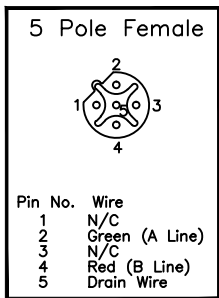
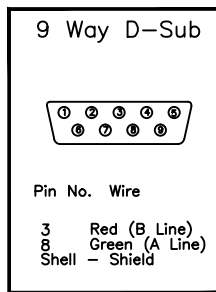


Face View (Typ.)



POL	MATERIAL NUMBER	ENGINEERING NUMBER	FINISHED LENGTH
5	1200980057	BM5S32PP4M010	3.28' +2.19" -0 [1.0M +55.6 -0]

Face View



CONNECTOR SPECIFICATION:

VOLTAGE RATING	30V AC/DC
AMPERAGE RATING	4 AMPS
PROTECTION CLASS	IP67
OPERATING TEMPERATURE	STATIC: -40°C TO +80°C FLEXING: -20°C TO +80°C
UL CERTIFICATIONS	NOT APPLICABLE
CSA CERTIFICATIONS	NOT APPLICABLE

ITEM	COMPONENT	MATERIAL	FINISH
1	INSERT	POLYURETHANE (PUR)	BLACK
2	CONTACT MATERIAL	COPPER ALLOY	GOLD OVER NICKEL
3	COUPLING NUT	BRASS	NICKEL PLATED
4	OVERMOLD	TPU	YELLOW
5	CABLE 2x0.2 <sup>2</sup> /24 AWG	JACKET: PUR	JACKET: VIOLET

DESCRIPTION EC NO: IPG2012-0445 DRWN: BBRAUCH CHKD: REISSNER APPR: REISSNER 28.02.12 2010/01/28	QUALITY SYMBOLS ▽ = 0 ▽ = 0	GENERAL TOLERANCES (UNLESS SPECIFIED)		DIMENSION STYLE IN/MM		SCALE 2:1	DESIGN UNITS METRIC	THIRD ANGLE PROJECTION
		mm	INCH	DRAWN BY BBRAUCH	DATE 2010/01/25	CHECKED BY NS	DATE 2010/01/28	APPROVED BY REISSNER
		4 PLACES	±---	±---		CSE M12 5P BC FE STR DSUB PUR XM SHLD YL BRA M12 PROFIBUS CABLE <b>MOLEX INCORPORATED</b> SD-120098-033 SHEET NO. 1 OF 1		
		3 PLACES	±---	±---				
		2 PLACES	±---	±0.1				
		1 PLACE	±0.3	±---		DRAFT WHERE APPLICABLE MUST REMAIN WITHIN DIMENSIONS		
		ANGULAR ± --- °		SEE TABLE		THIS DRAWING CONTAINS INFORMATION THAT IS PROPRIETARY TO MOLEX INCORPORATED AND SHOULD NOT BE USED WITHOUT WRITTEN PERMISSION		
REV		SIZE A3						