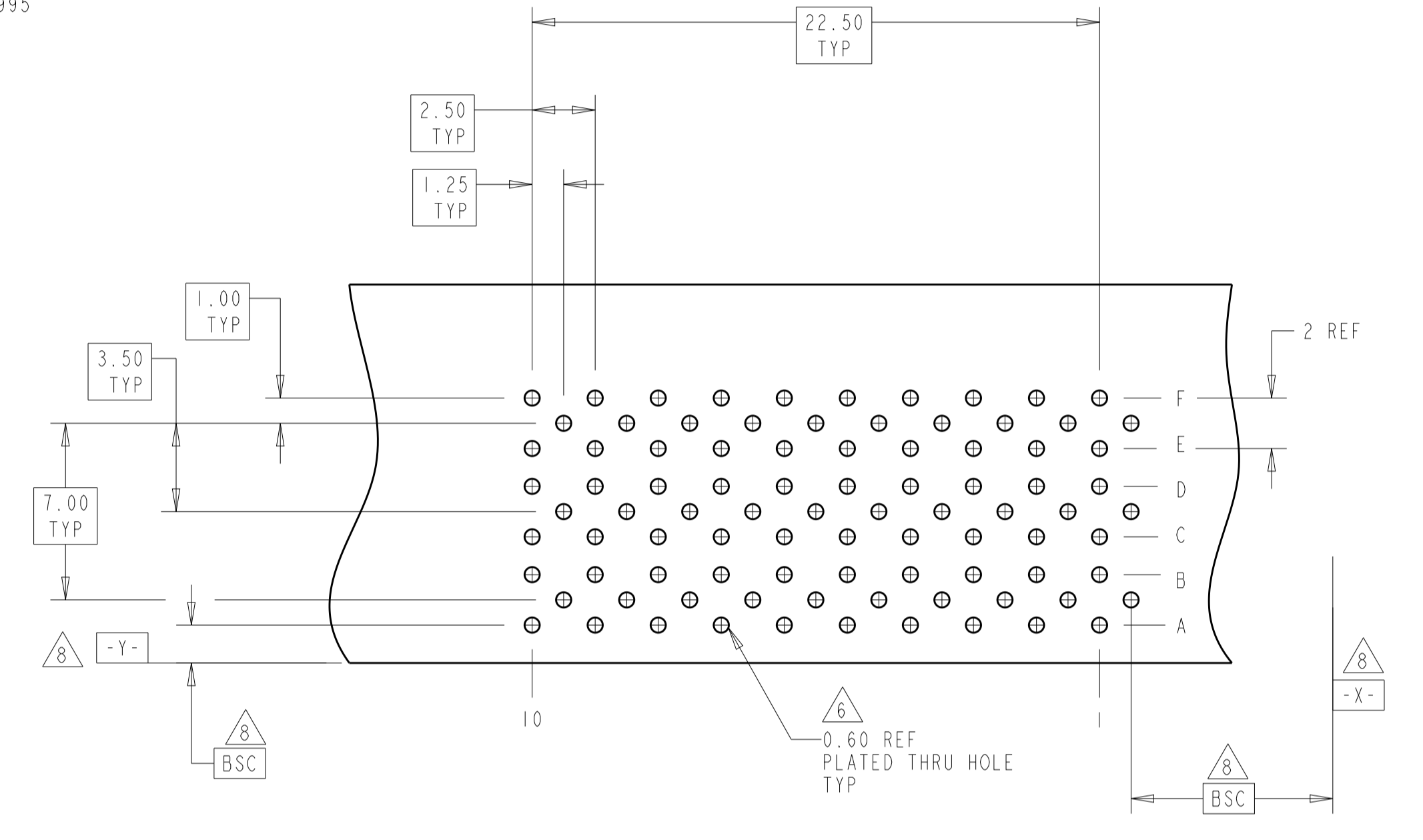
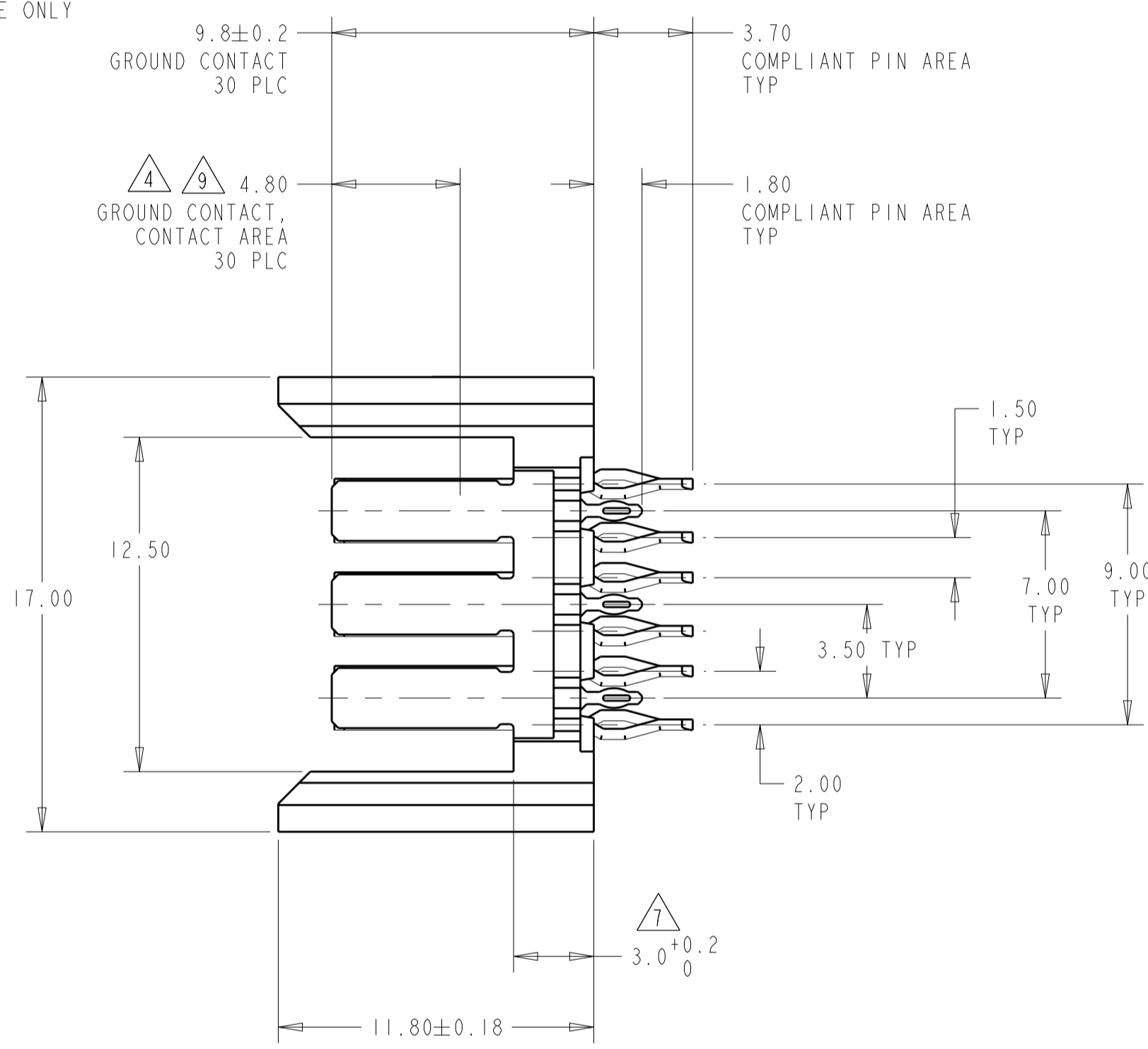
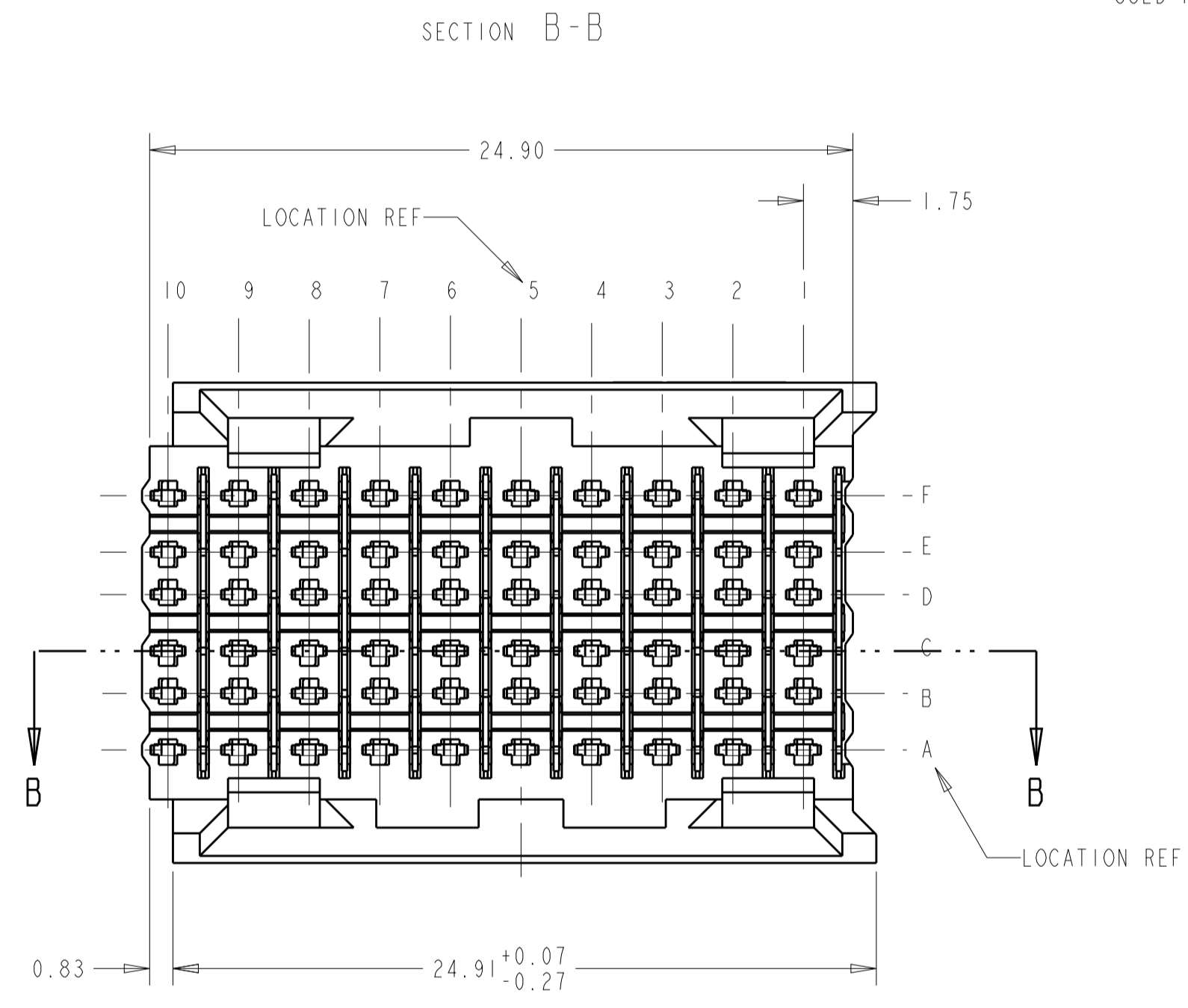
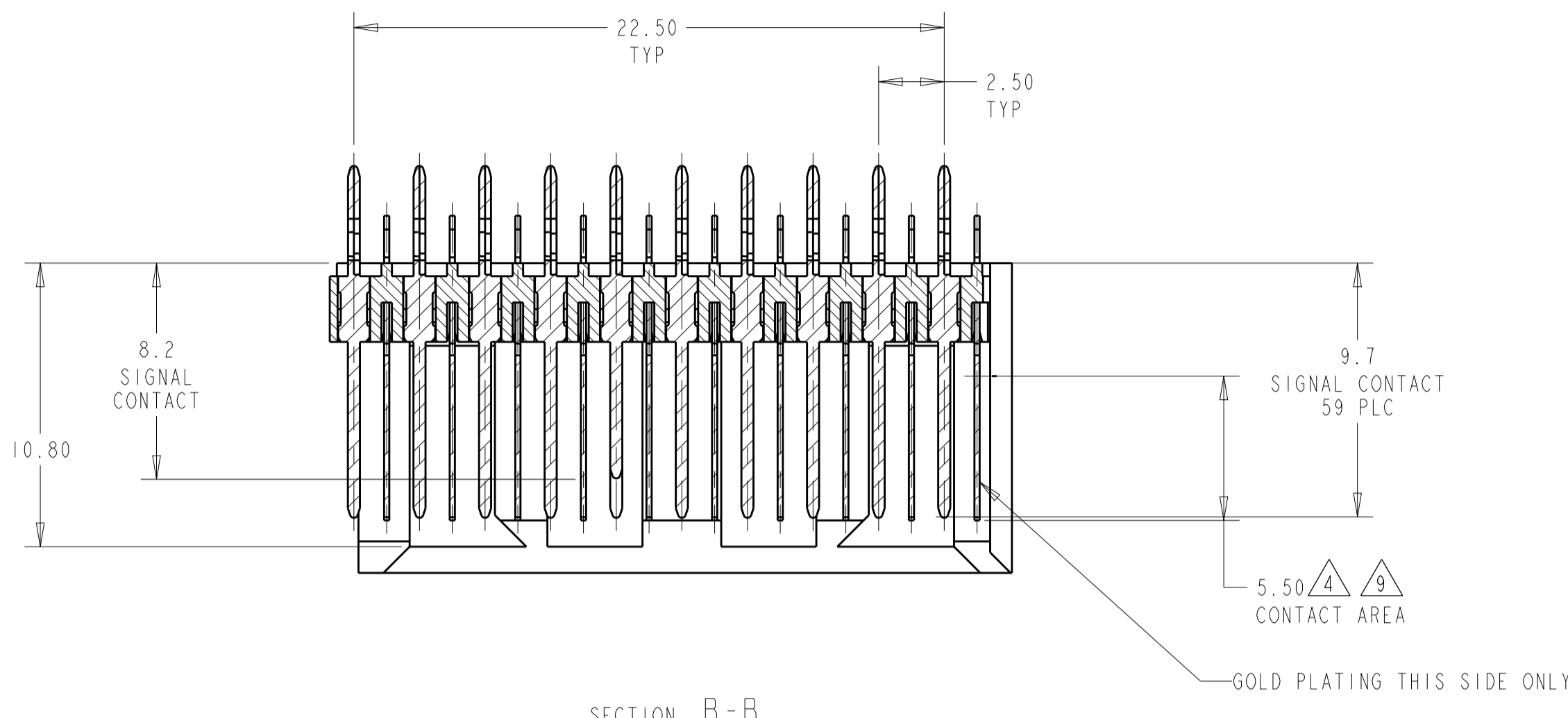
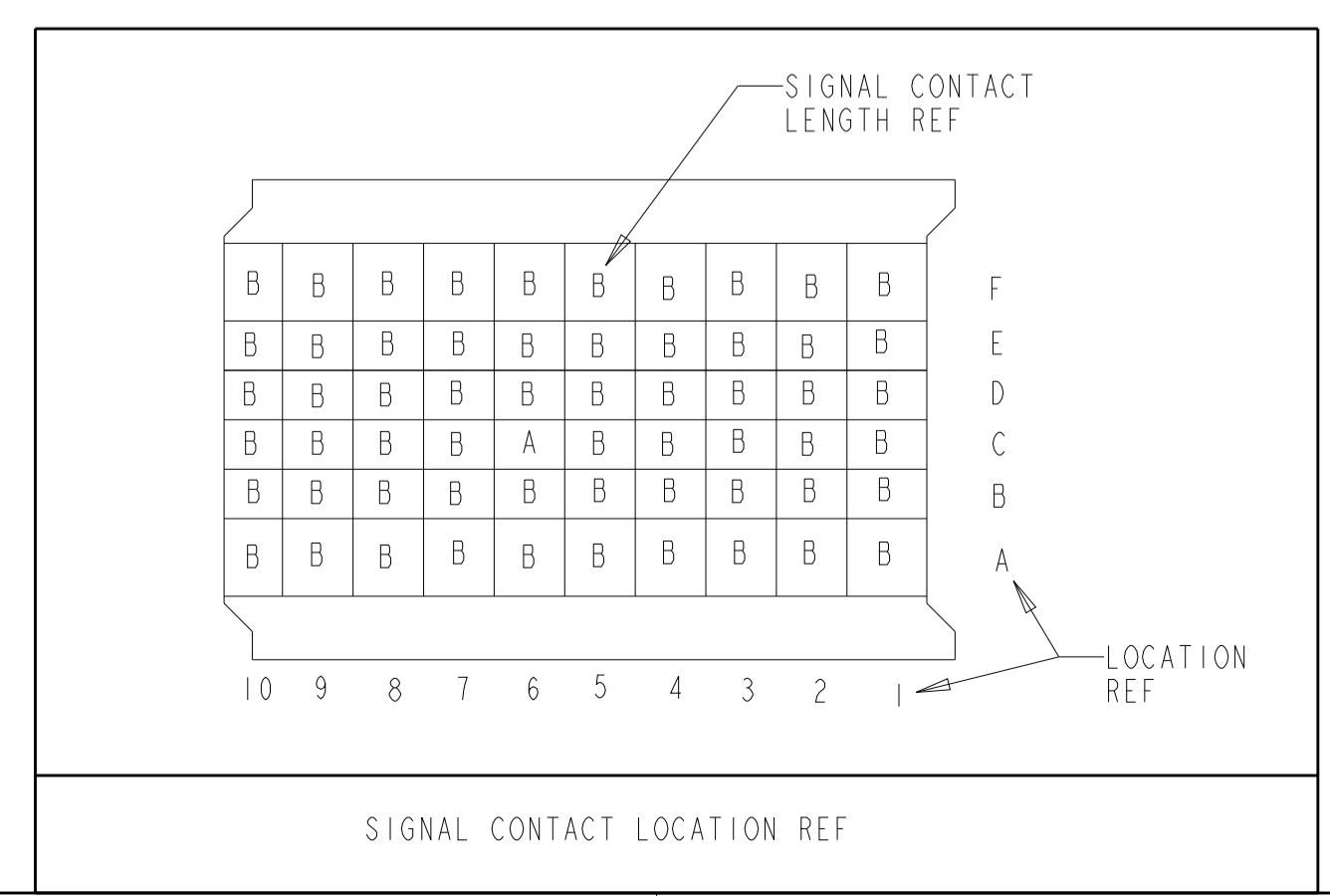
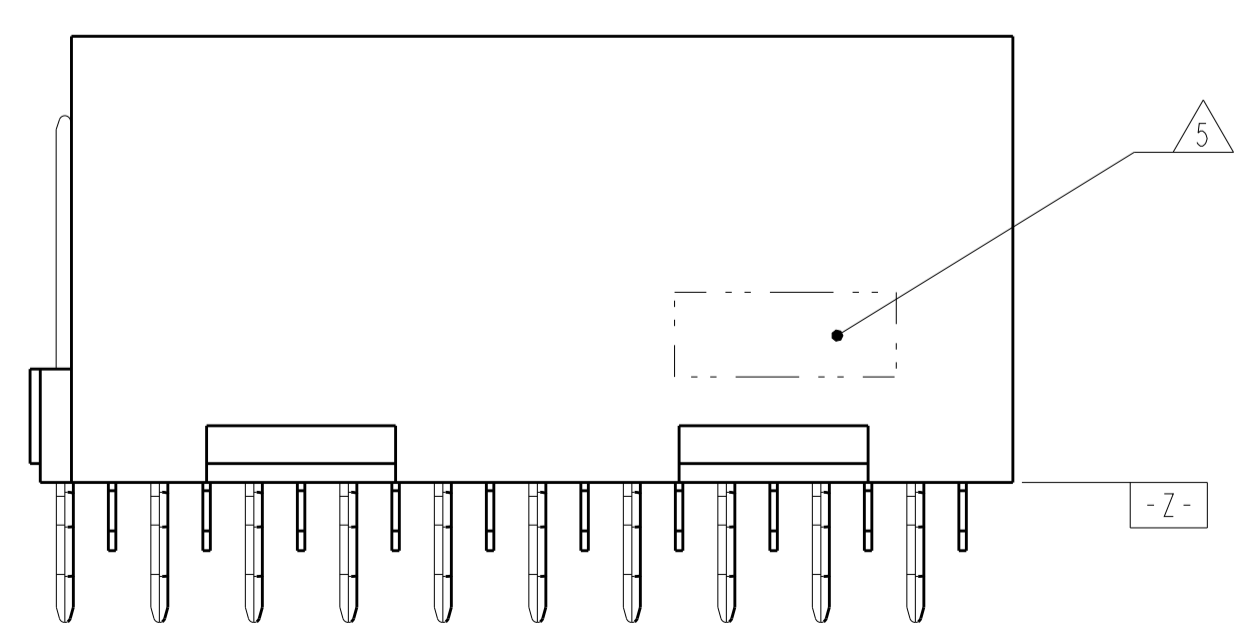


LOC	DIST	REV	DESCRIPTION	DATE	OWN	APVD
AD	00	B	REVISED PER ECO-12-006972	23AUG2012	KH	JE

- 2 PHOSPHOR BRONZE
- 3 LCP, UL94V-0
- 4 FINISH:  
CONTACT MATING AREA MEETS THE PERFORMANCE REQUIREMENTS OF  
TE CONNECTIVITY PRODUCT SPECIFICATION 108-1957; BASED ON  
TELCORDIA GR-1217-CORE; APPLICATIONS IN UNCONTROLLED ENVIRONMENTS.  
COMPLIANT PIN AREA: 0.5µm MIN MATTE TIN OVER BASE PLATING.
- 5 CONNECTOR MARKED WITH PART NUMBER AND DATE CODE
- 6 REFERENCE APPLICATION SPEC 114-13020 FOR  
RECOMMENDED PLATED THRU HOLE DIAMETER AND  
PLATING THICKNESS.
- 7 APPLICATION SEATING HEIGHT TO PRINTED CIRCUIT BOARD
- 8 DATUMS AND BASIC DIMENSIONS ESTABLISHED BY CUSTOMER
- 9 CONTACT AREA LUBRICATED WITH BELLCORE APPROVED LUBRICANT  
TECHNICAL REFERENCE: GR-1217-CORE, ISSUE 1, NOVEMBER 1995



RECOMMENDED  
PRINTED CIRCUIT BOARD  
LAYOUT  
COMPONENT SIDE OF PRINTED CIRCUIT BOARD



ROWS A,B: 1-10 ROW C: 1-5,7-10 ROWS D-F: 1-10	ROW C: 6	5120841-1
PIN LOCATION	PIN LOCATION	PART NUMBER
SIGNAL CONTACT TYPE B QTY: 59	SIGNAL CONTACT TYPE A QTY: 1	

THIS DRAWING IS A CONTROLLED DOCUMENT.

OWN: B. CARBO 09DEC04  
 CHK: R. PATTERSON 09DEC04  
 APVD: R. PATTERSON 09DEC04

TE Connectivity

NAME: HEADER ASSEMBLY, 6 ROW, 60 POSITION, SELECT LOADED, BACKPLANE CONNECTOR, Z-PACK HS3

SIZE: A1 CAGE CODE: 00779 DRAWING NO: 5120841

SCALE: 5:1 SHEET 1 OF 1 REV B

MATERIAL HOUSING: 3 CONTACTS: 2 SIGNAL CONTACT: 4 FINISH: 4