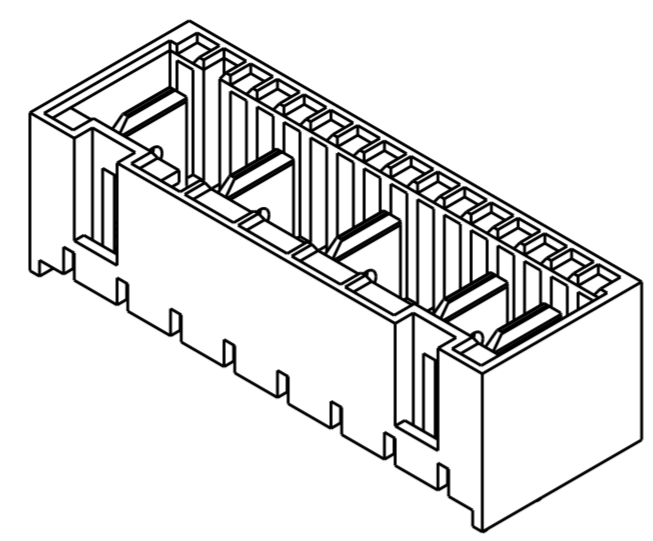
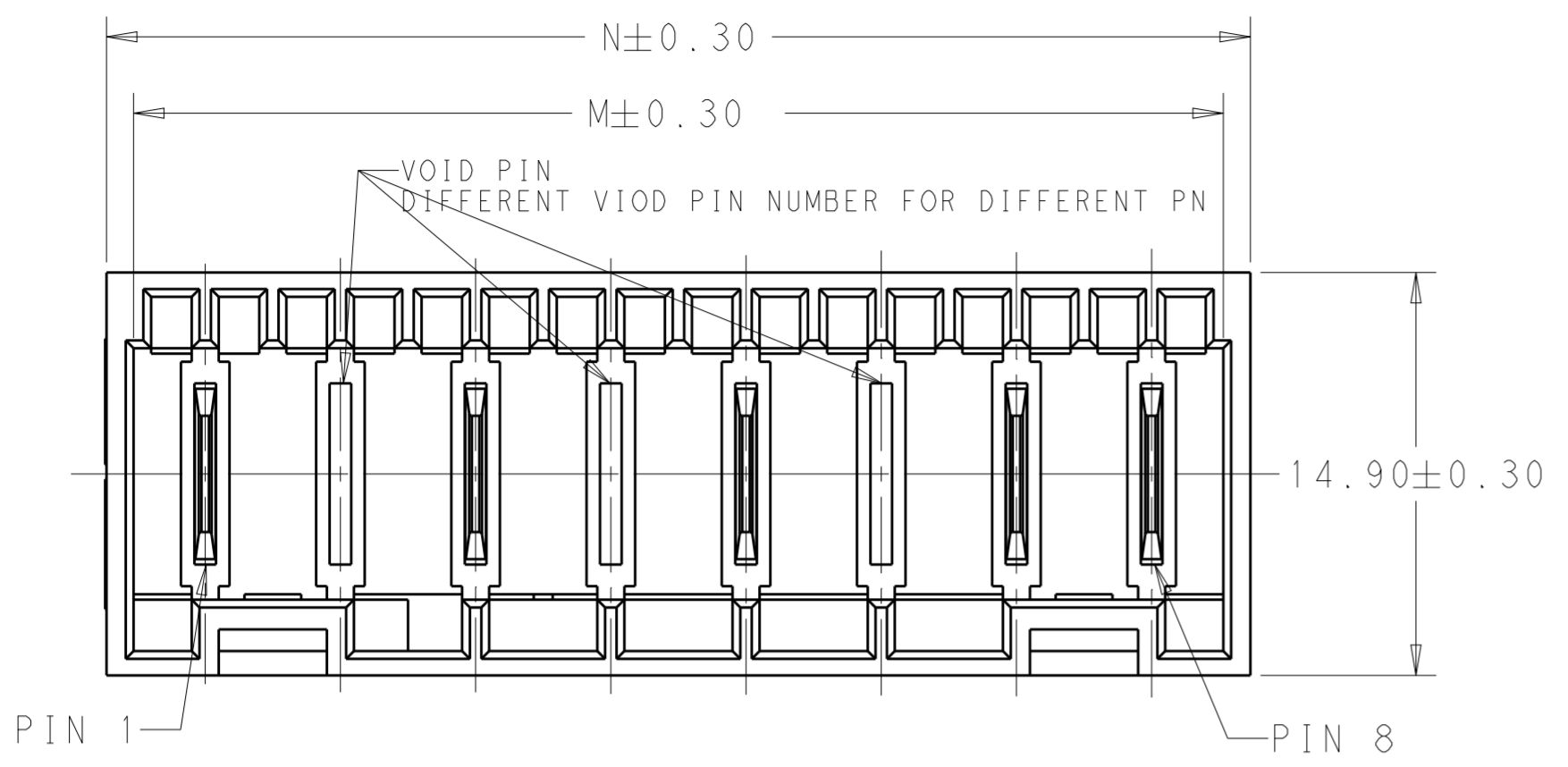
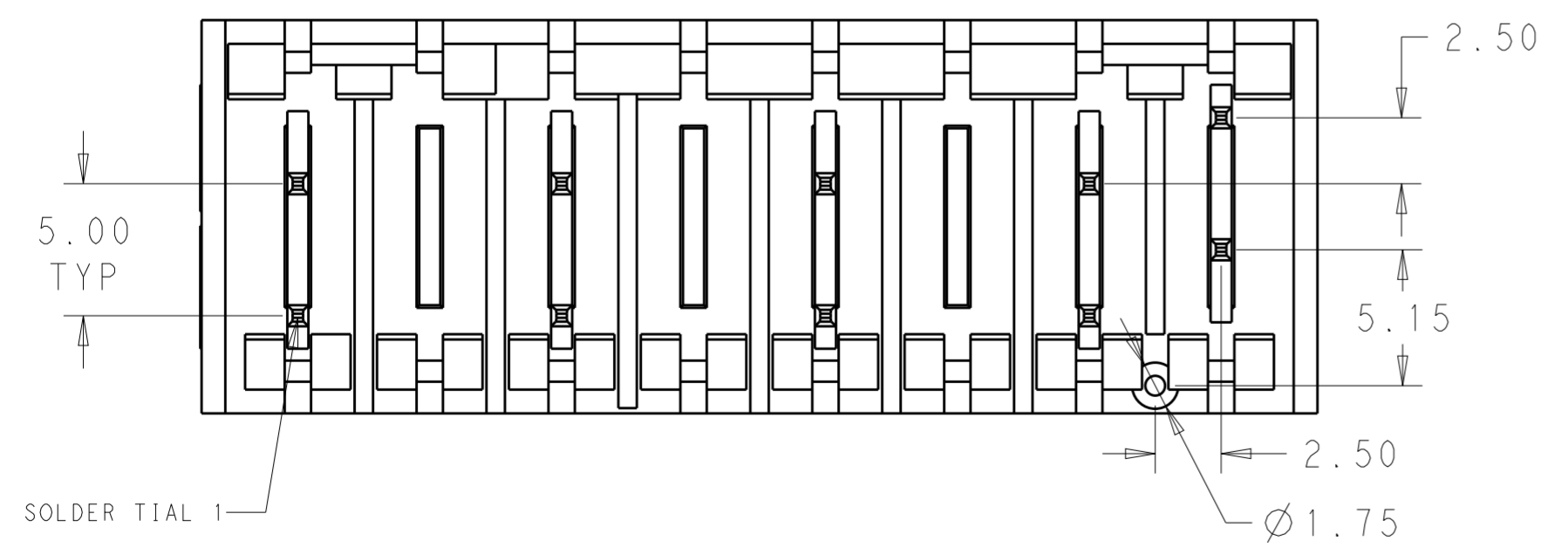
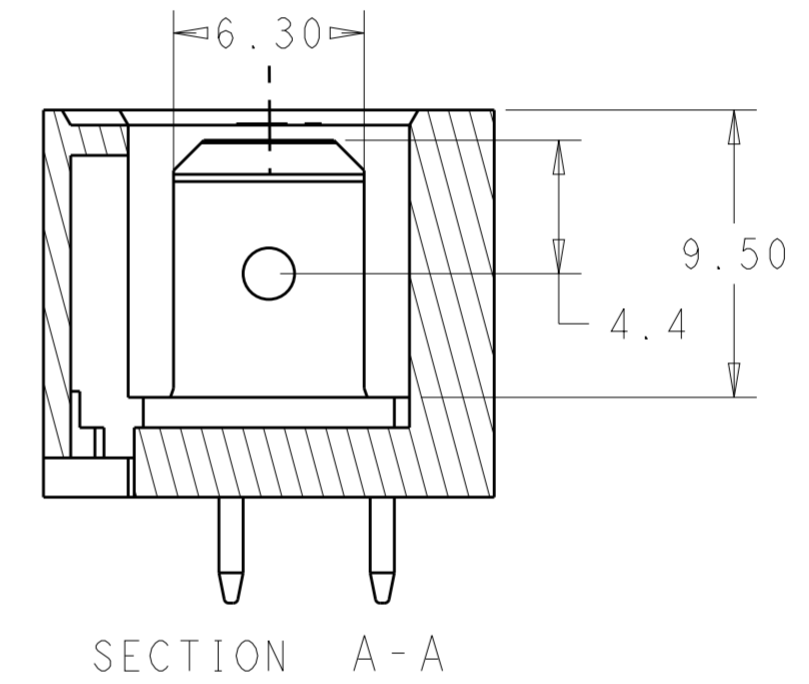
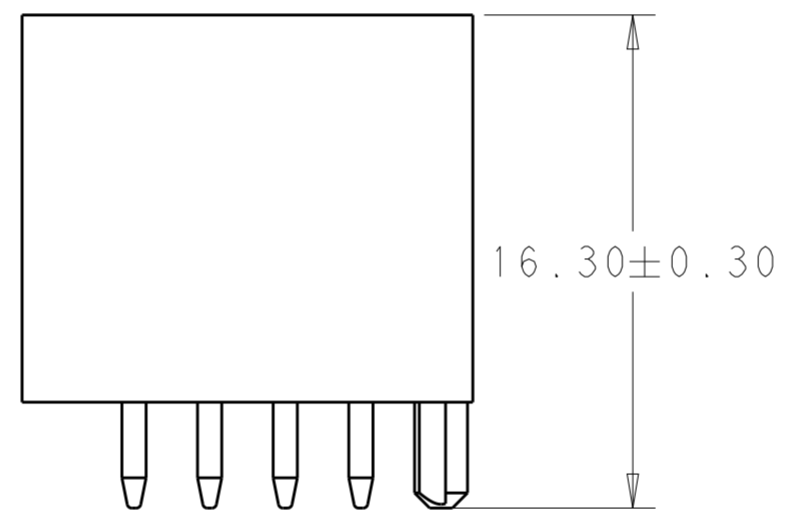
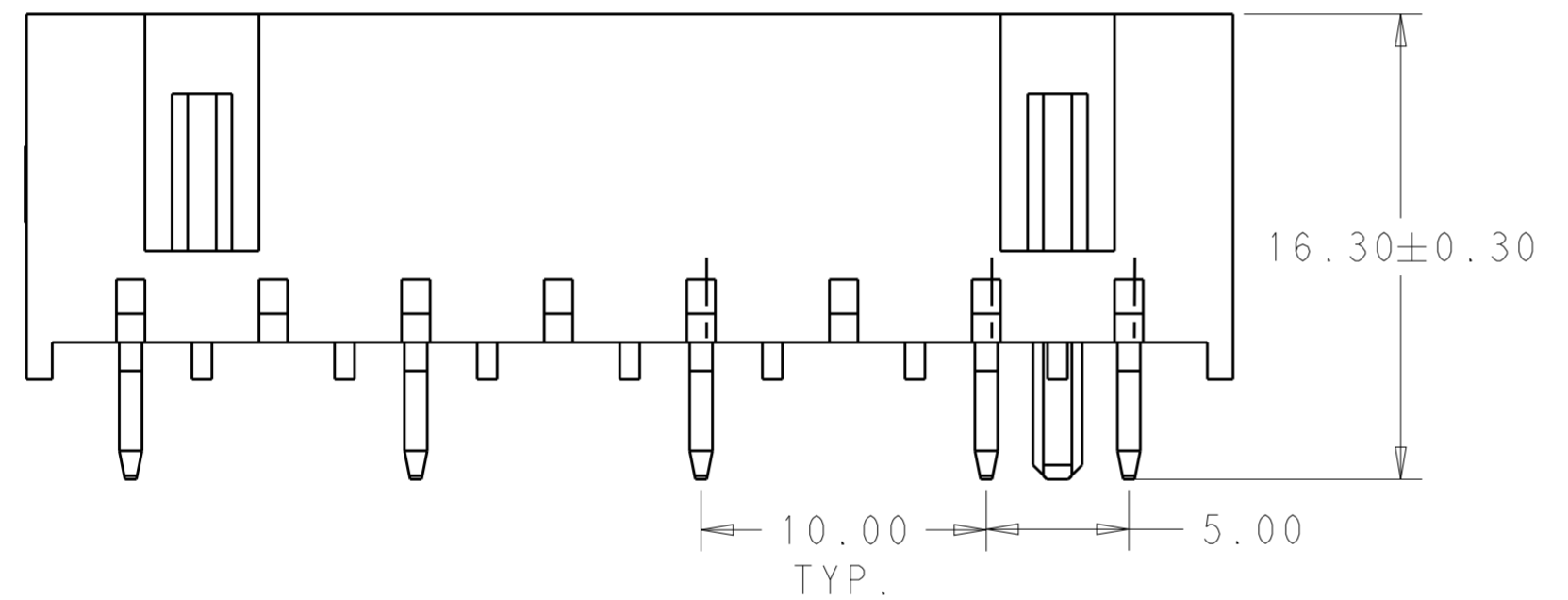


THIS DRAWING IS UNPUBLISHED. RELEASED FOR PUBLICATION 20
 © COPYRIGHT 20 BY - ALL RIGHT REVERSED ALL RIGHTS RESERVED.

| LOC | | DIST | | REVISIONS | | | |
|-----|-----|---------------|-----------|-----------|------|--|--|
| P | LTR | DESCRIPTION | DATE | DWN | APVD | | |
| A9 | | ECR-17-001797 | 21FEB2017 | LZ | RR | | |
| A10 | | ECR-17-004521 | 29MAR2017 | LZ | RR | | |



- HOUSING HAS RAST 5 COMPLIANT KEYING LATCHING, AND POLARIZATION, TAB IS 6.30 x 0.8mm ACCORDING TO DIN 46224;
 - MATERIAL: HOUSING NYLON, UL94 V0, 750 °C GWT NO FLAME;
 - FINISH: CONTACTS, TIN PLATING OVERALL , NICKEL UNDER-PLATING;
 - PACKING: LOOSE PIECE OR TUBE. THE PART NUMBER IN THIS DRAWING ARE WITH LOOSE PIECE PACKING. PLEASE CONTACT TE SALES REPRESENTATIVES FOR TUBE PACKING REQUIREMENT.
- 5 PRELIMINARY, NOT FOR PRODUCTION.
- 6 MATERIAL: HOUSING PA66,UL94 V0 PRODUCT COMPLY WITH GLOW WIRE REQUIREMENTS FOR PARTS OF NON-METALLIC MATERIAL SUPPORTING A CURRENT-CARRYING CONNECTION DETAILED IN IEC 60335-1, SECTION 30 (GWT).
- 7 FINISH:CONTACT, SILVER PLATING OVERALL, NICKEL UNDER-PLATING.



| | | |
|-------|-------|------------|
| 42.30 | 40.30 | 8 |
| 37.30 | 35.30 | 7 |
| 32.30 | 30.30 | 6 |
| 27.30 | 25.30 | 5 |
| 22.30 | 20.30 | 4 |
| 17.30 | 15.30 | 3 |
| 12.30 | 10.30 | 2 |
| N | M | NO.OF POS. |

THIS DRAWING IS A CONTROLLED DOCUMENT.

| | | |
|------|-----|-----------|
| DWN | B.P | APR162013 |
| CHK | F.M | APR162013 |
| APVD | | APR162013 |

PRODUCT SPEC: 108-106080

APPLICATION SPEC: -

WEIGHT: -

CUSTOMER DRAWING

SCALE: 2:1

SHEET 1 OF 2

REV: A10

STE TE Connectivity

NAME: RAST 5 TAB HEADER ASSY DIN STYLE, TH, VERTICAL

SIZE: A2

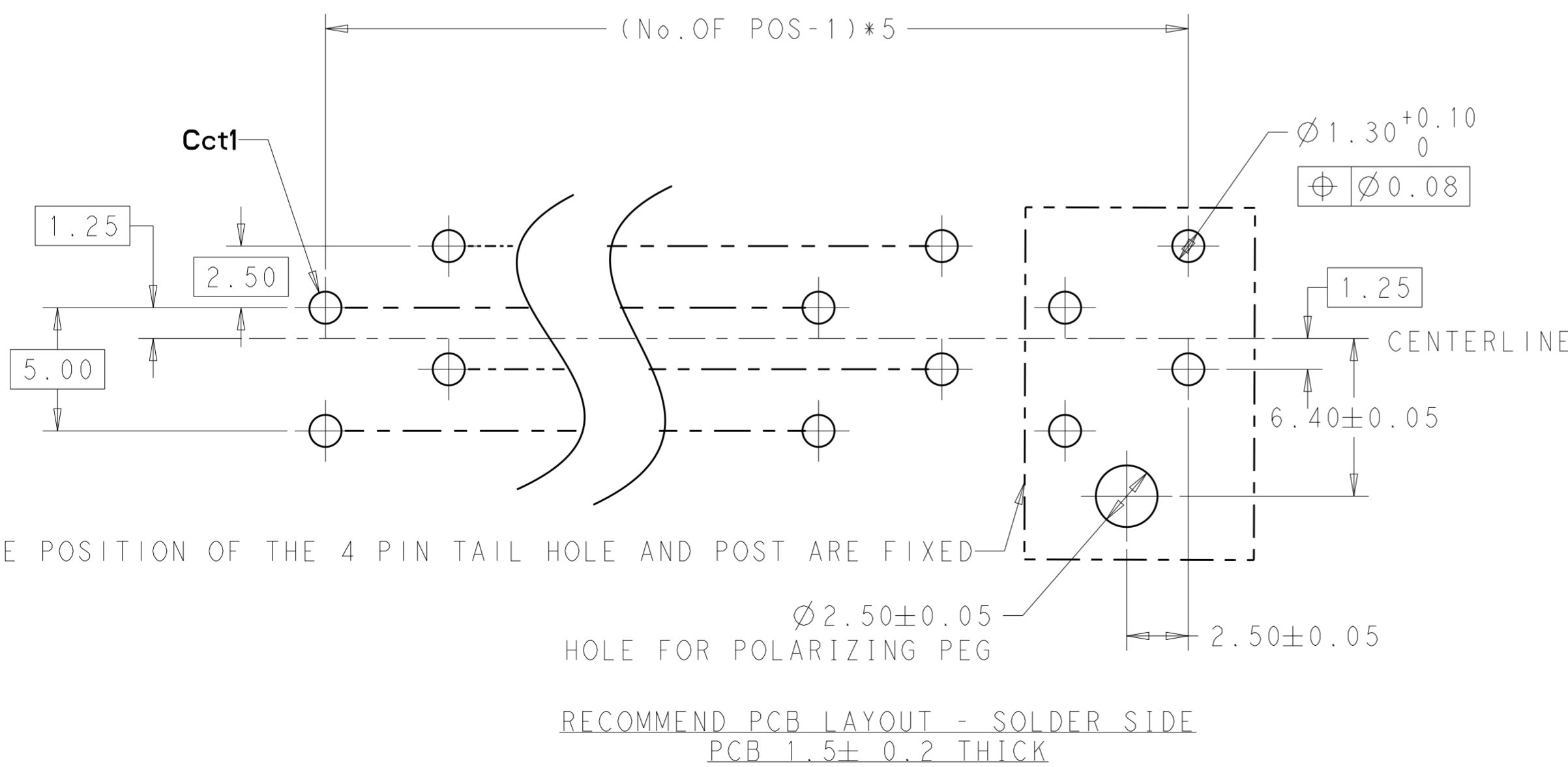
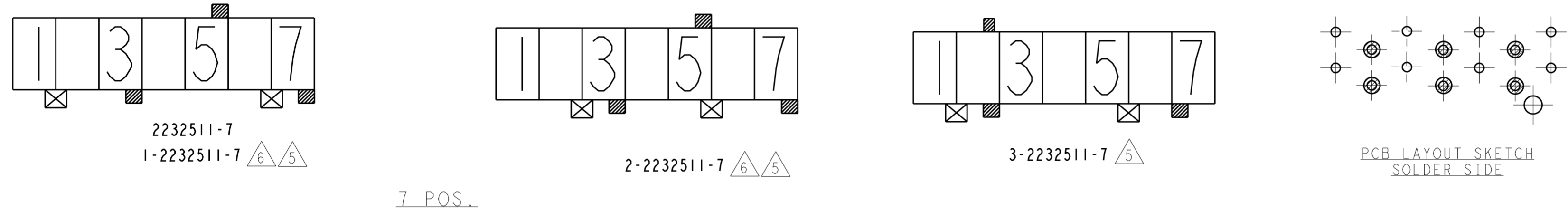
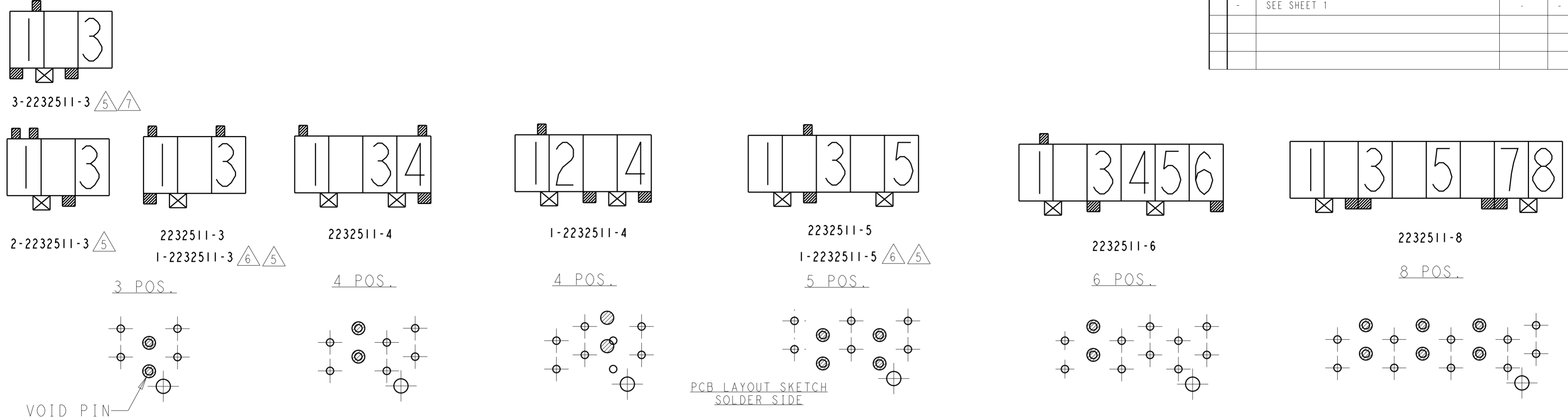
CAGE CODE: 00779

DRAWING NO: C-2232511

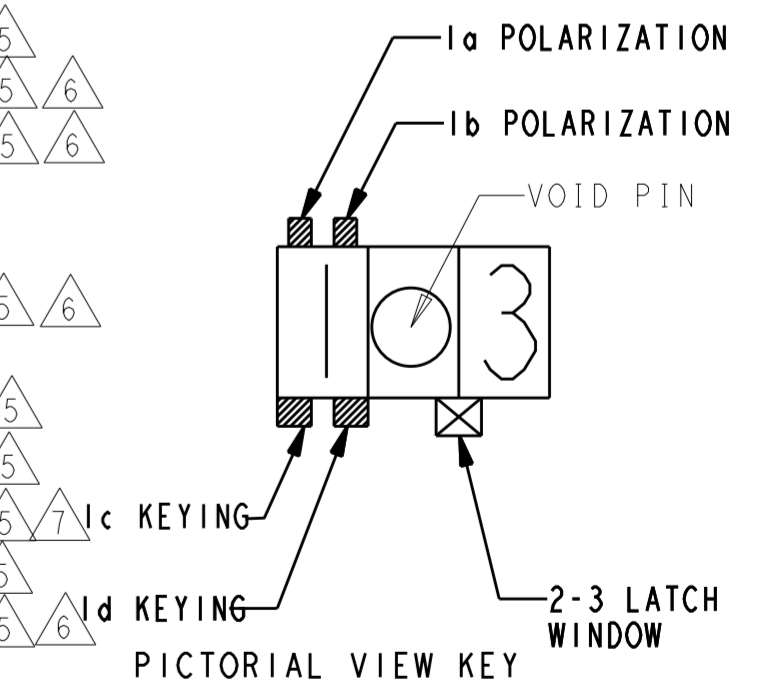
RESTRICTED TO: -

THIS DRAWING IS UNPUBLISHED. RELEASED FOR PUBLICATION 20
 © COPYRIGHT 20 BY - ALL RIGHT REVERSED ALL RIGHTS RESERVED.

| LOC | | DIST | | REVISIONS | | | |
|-----|-----|-------------|------|-----------|------|--|--|
| P | LTR | DESCRIPTION | DATE | DWN | APVD | | |
| - | - | SEE SHEET 1 | - | - | - | | |



| NATURE | NO. OF POS. | PART NUMBER |
|--------|-------------|---|
| | 8 | 2232511-8 |
| | 7 | 3-2232511-7 $\triangle_5 \triangle_6$ |
| | 7 | 2-2232511-7 $\triangle_5 \triangle_6$ |
| | 7 | 1-2232511-7 $\triangle_5 \triangle_6$ |
| | 7 | 2232511-7 $\triangle_5 \triangle_6$ |
| | 6 | 2232511-6 $\triangle_5 \triangle_6$ |
| | 5 | 1-2232511-5 $\triangle_5 \triangle_6$ |
| | 5 | 2232511-5 $\triangle_5 \triangle_6$ |
| | 4 | 1-2232511-4 \triangle_5 |
| | 4 | 2232511-4 \triangle_5 |
| | 3 | 3-2232511-3 $\triangle_5 \triangle_6 \triangle_7$ |
| | 3 | 2-2232511-3 $\triangle_5 \triangle_6$ |
| | 3 | 1-2232511-3 $\triangle_5 \triangle_6$ |
| | 3 | 2232511-3 $\triangle_5 \triangle_6$ |



THIS DRAWING IS A CONTROLLED DOCUMENT. DWN APR162013 B.P. 24SEP2013 CHK - 24SEP2013 APVD - 24SEP2013

DIMENSIONS: mm TOLERANCES UNLESS OTHERWISE SPECIFIED: 0 PLC \pm 1 PLC ± 0.5 2 PLC ± 0.13 3 PLC ± 0.013 4 PLC ± 0.0001 ANGLES FINISH \pm

MATERIAL - WEIGHT -

CUSTOMER DRAWING

NAME RAST 5 TAB HEADER ASSY DIN STYLE, TH, VERTICAL

SIZE A2 CAGE CODE 00779 DRAWING NO. C-2232511 RESTRICTED TO -

SCALE 2:1 SHEET 2 OF 2 REV. A10

STE TE Connectivity