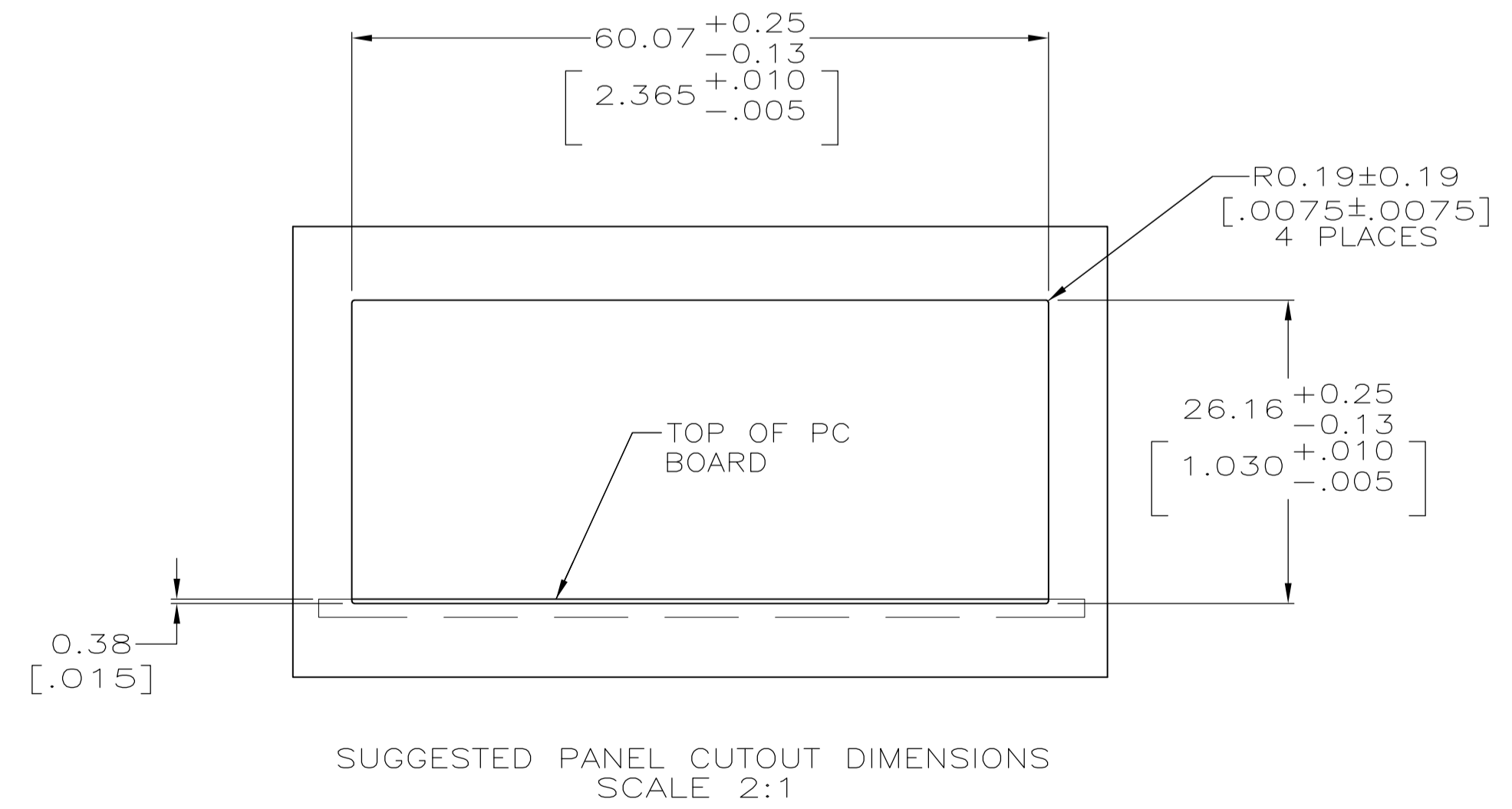
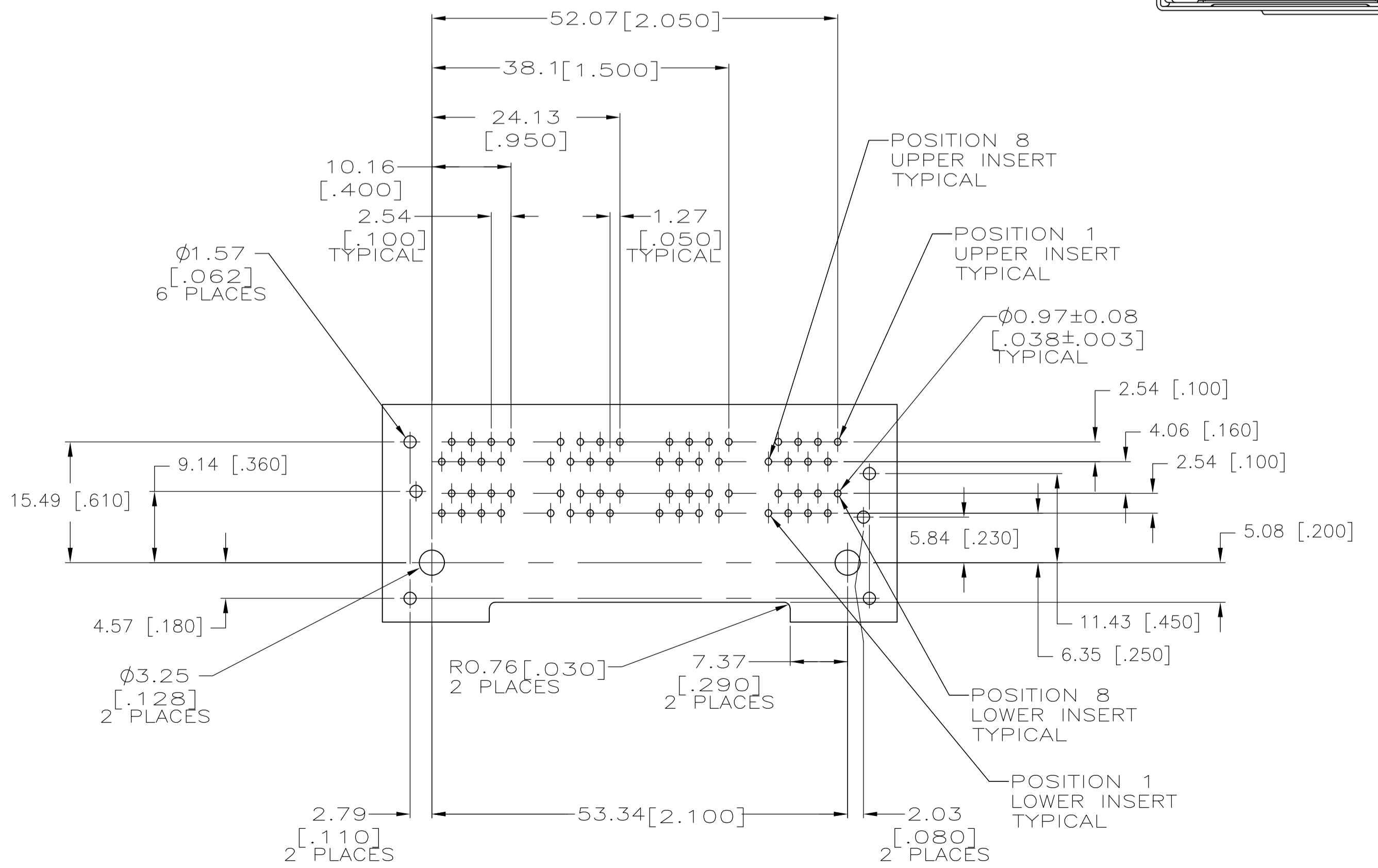
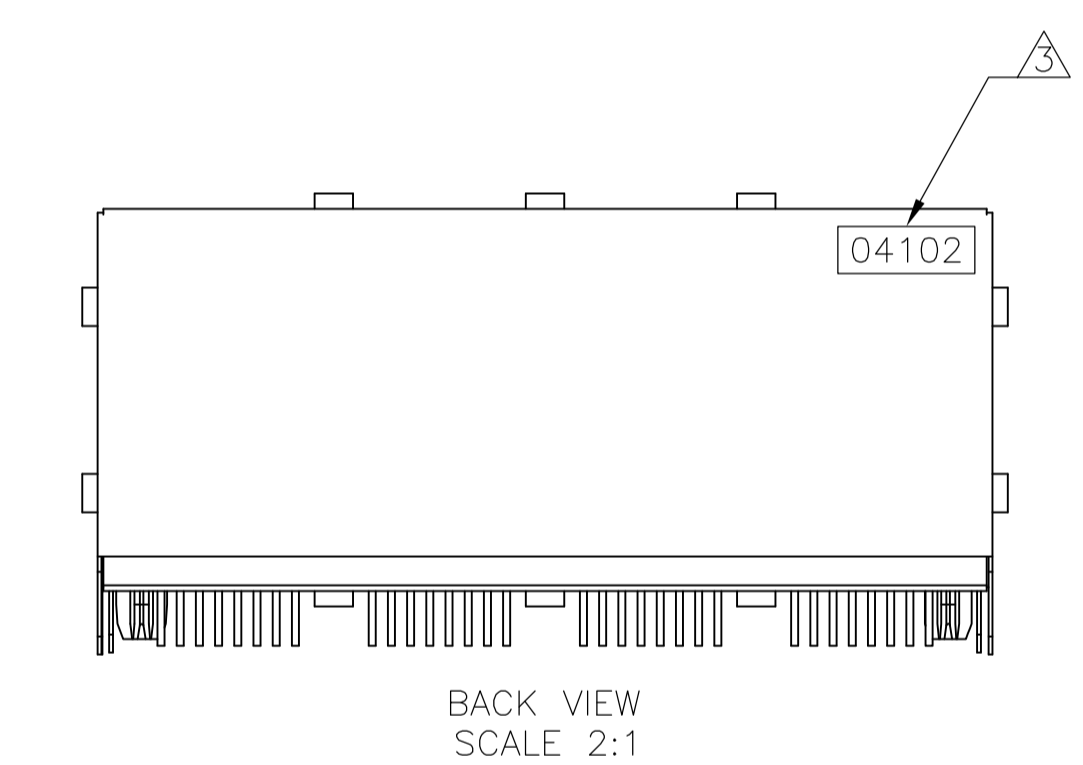
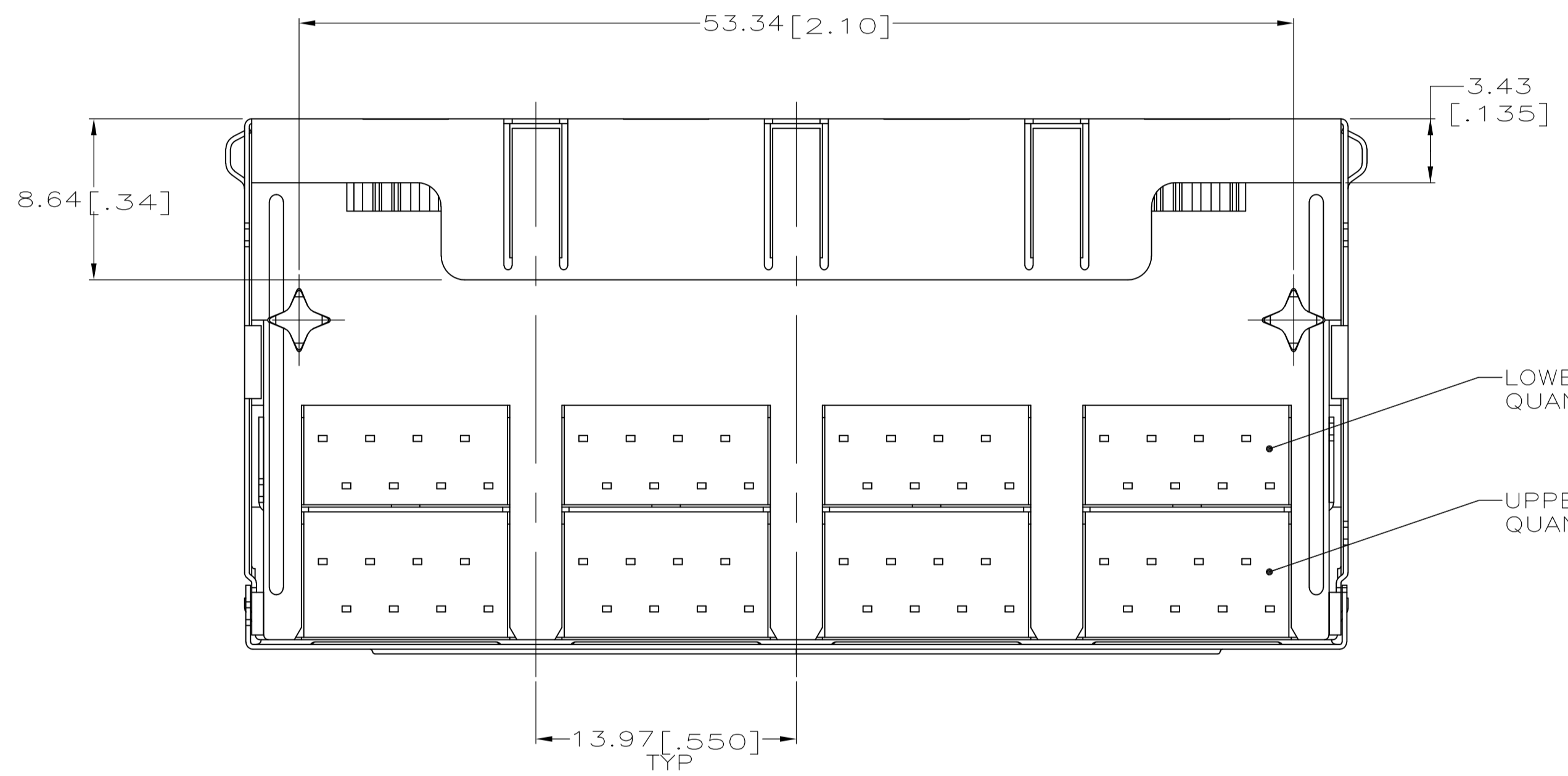
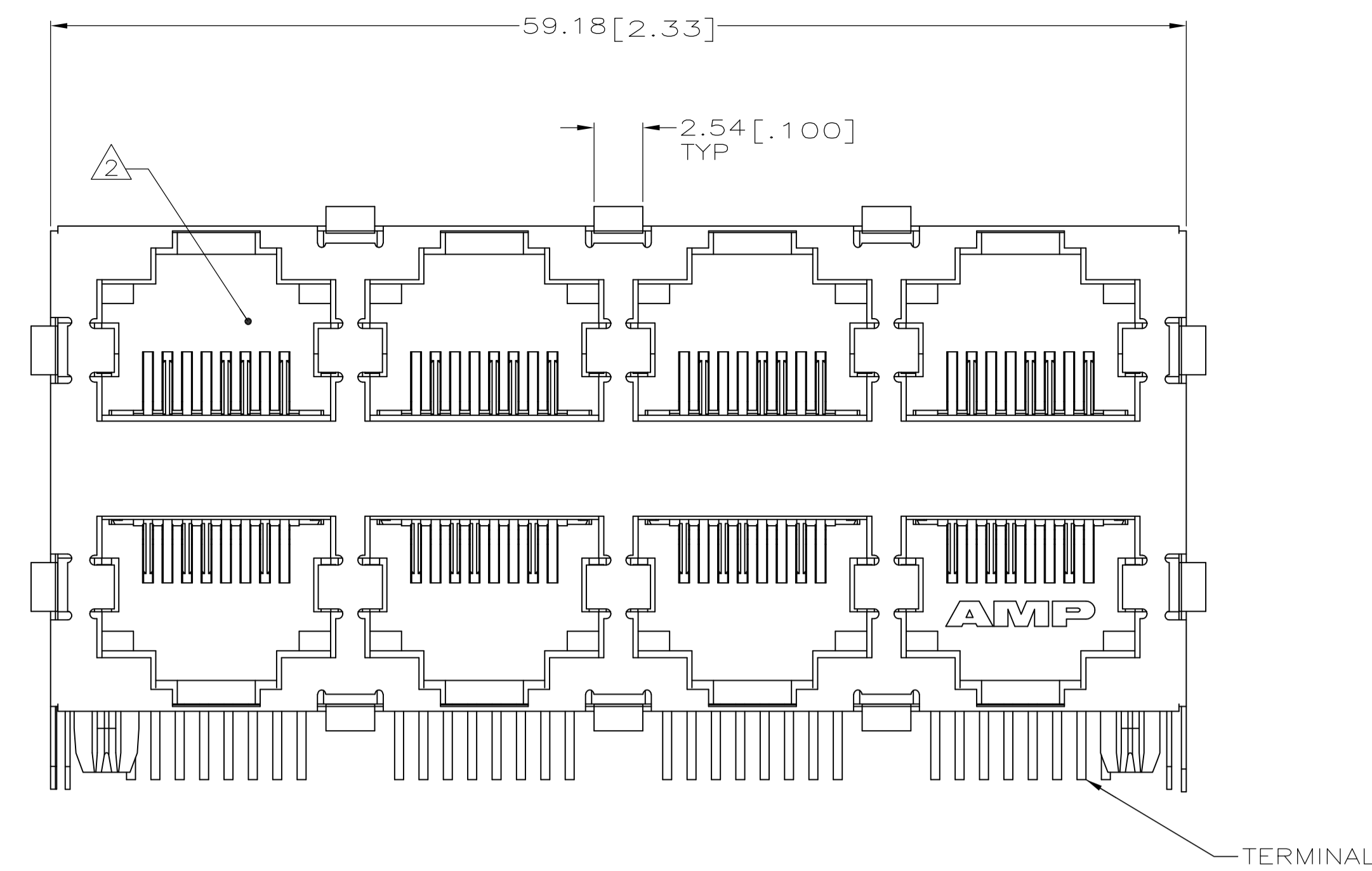
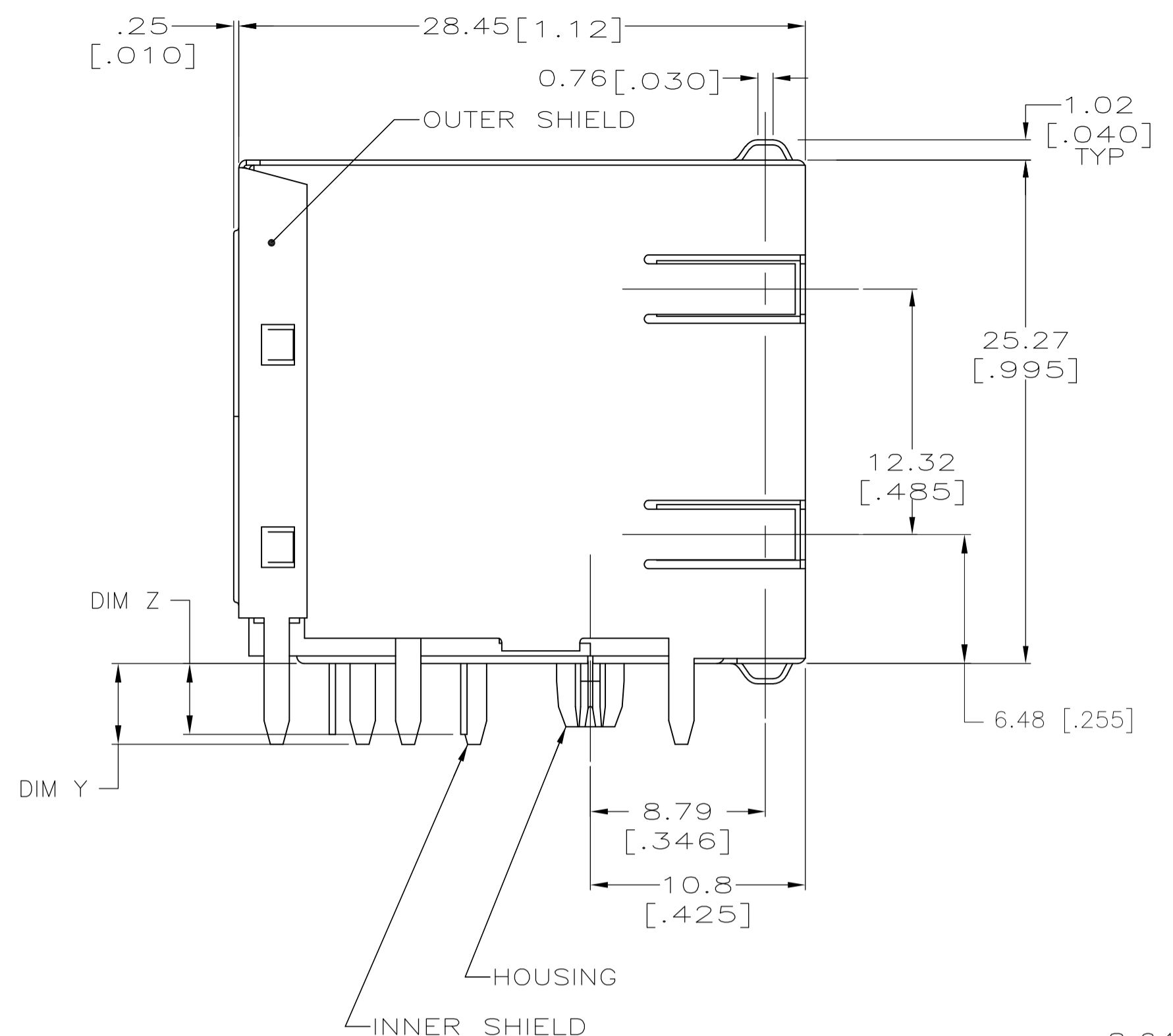


REVISED PER		ECO-11-005033	DATE	DWN	APVD
AA	22		26MAR11	RK	HMR

- MATERIAL: HOUSING - PCT POLYESTER, BLACK, UL94V-0. OVERMOLDED TERMINAL ARRAY - PBT, BROWN. TERMINALS - 0.33 [.013] THICK PHOS BRONZE PLATED WITH 1.27um [.000050] MIN THICK HARD GOLD IN LOCALIZED AREA AND 3.81um [.000150] MIN THICK MATTE TIN IN SOLDER AREA OVER 1.27um [.000050] MIN THICK NICKEL UNDERPLATE.
- JACK CAVITY CONFORMS TO FCC RULES AND REGULATIONS, PART 68 SUBPART F.
- DATE CODE LOCATED ON REAR OF PART APPROXIMATELY AS SHOWN: FIRST 2 DIGITS ARE LAST 2 DIGITS OF YEAR, SECOND 2 DIGITS ARE MANUFACTURING WORK WEEK, LAST DIGIT IS DAY OF WEEK, WITH SUNDAY = 1.
- MATERIAL: HOUSING - PCT POLYESTER, BLACK, UL94V-0. OVERMOLDED TERMINAL ARRAY - PBT, BROWN. TERMINALS - 0.33 [.013] THICK PHOS BRONZE PLATED WITH 1.27um [.000050] MIN THICK HARD GOLD IN LOCALIZED AREA AND 3.81um [.000150] MIN THICK MATTE TIN IN SOLDER AREA OVER 1.27um [.000050] MIN THICK NICKEL UNDERPLATE. SHIELDS - 0.25 [.010] THICK COPPER ALLOY PLATED WITH 1.27 um [.000050] MINIMUM NICKEL AND 2.03 um [.000080] MINIMUM HOT TIN DIP ON PCB GROUND TABS.



PC BOARD LAYOUT VIEWED FROM COMPONENT SIDE SCALE 2:1

REMARK	DIM. Z	DIM. Y	PART NUMBER
	3.05 [.120]	4.06 [.160]	1-5569262-1
	3.56 [.140]	4.06 [.160]	5569262-1

THIS DRAWING IS A CONTROLLED DOCUMENT.		DIN T. SPRINKLE / 17APR2005	
DIMENSIONS: mm [INCHES]		CHK J. WESTMAN	
TOLERANCES UNLESS OTHERWISE SPECIFIED:		APVD S. FLICKINGER / 17APR2005	
0 PLC ± -	1 PLC ± -	NAME	
2 PLC ± 0.25[.01]	3 PLC ± 0.13[.005]	STACKED MODULAR JACK ASSEMBLY, 2x4 PORT, 8 POSITION, SHIELDED, PANEL GROUND, CATEGORY 5	
4 PLC ± -	ANGLES ± -	PRODUCT SPEC	108-1163-2
MATERIAL SEE NOTE 1		APPLICATION SPEC	114-2048
FINISH SEE NOTE 1		WEIGHT	A1 00779
		RESTRICTED TO	5569262
		CUSTOMER DRAWING	SCALE 4:1 SHEET 1 OF 1 REV B2