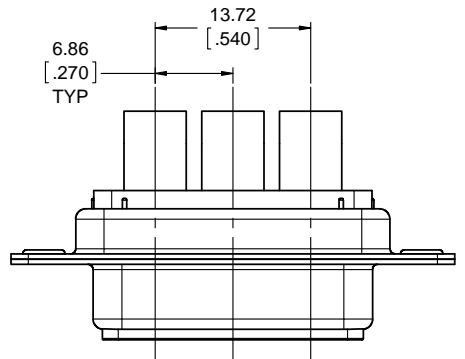
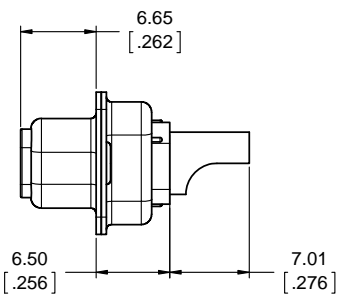
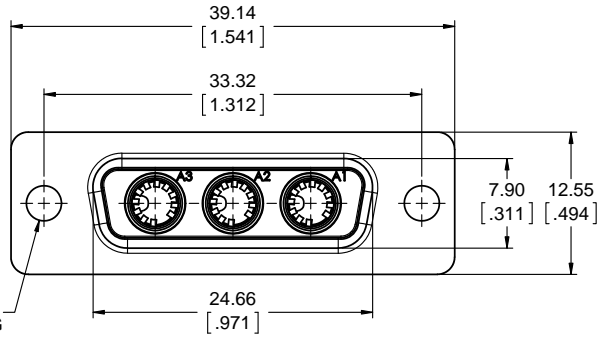


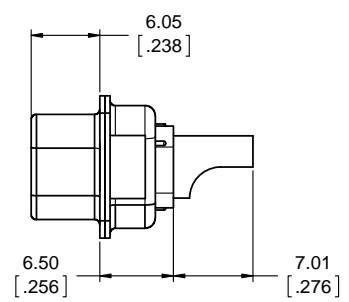
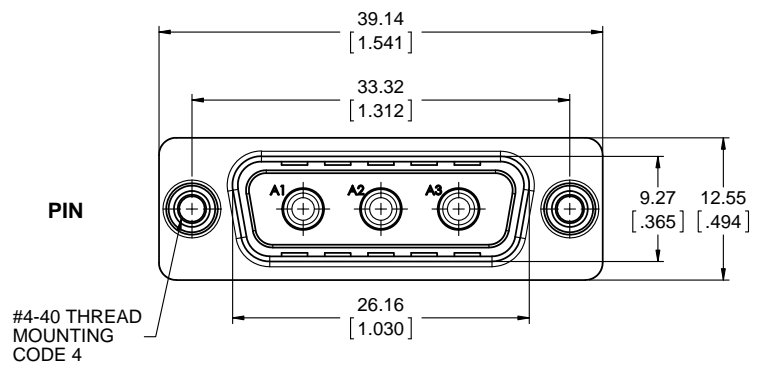
REVISIONS			
REV	DESCRIPTION, ECN, EAR NO.	DATE	APP'D
A	PROPOSAL DRAWING	NOV18/11	A.G
B	ADD UL FILE NO	JUL22/13	S.M.



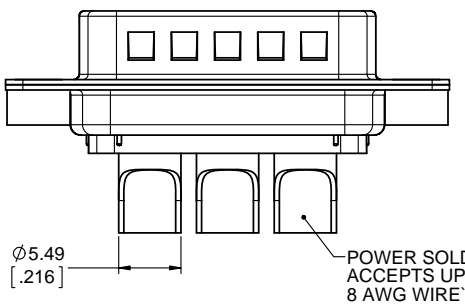
SOCKET



PIN



SEE SHEET 2 FOR ADDITIONAL MOUNTING OPTIONS



POWER SOLDER CUP ACCEPTS UP TO 8 AWG WIRE

ORDERING CODE:

LCC17 - A3W3 P M - 2 N 0

SERIES

LCC17 = HIGH CURRENT D-SUB

ARRANGEMENT

A = SHELL SIZE
3W3 = 3 POSITION, 3 POWER

CONNECTOR STYLE

P = PIN
S = SOCKET

TERMINATION

M = SOLDER CUP FOR 8 AWG

MOUNTING

2 = 3.10mm [.122] DIA THROUGH HOLE
4 = #4-40 UNC THREAD

FILTER CAPACITANCE

N = NO FILTERS

MODIFIER

0 = STANDARD

NOTES:

- MATERIALS: ALL MATERIALS ARE RoHS COMPLIANT PER EU DIRECTIVE 2011/65/EU AND AMENDMENTS.
 - SHELLS: STAMPED STEEL, TIN OVER NICKEL PLATED
 - INSULATOR: ENGINEERING THERMOPLASTIC, GLASS REINFORCED, HIGH TEMPERATURE RESISTANT, UL FLAMMABILITY RATING 94V-0, BLACK
 - PIN CONTACTS: COPPER ALLOY PLATED WITH 0.76µm (30µ") GOLD OVER 1.27µm (50µ") NICKEL
 - SOCKET CONTACTS: BERYLLIUM COPPER MATING GRID, COPPER ALLOY BALANCE PLATED WITH 0.76µm (30µ") GOLD OVER 1.27µm (50µ") NICKEL ON THE MATING AREA
 - MOUNTING HARDWARE: STEEL OR COPPER ALLOY, TIN OR NICKEL PLATED
- ELECTRICAL CHARACTERISTICS
 - CURRENT RATING: 55 A PER CONTACT
 - CONTACT RESISTANCE: 0.25 MILLIOHMS MAX
 - DIELECTRIC WITHSTANDING VOLTAGE: 1500V DC
 - OPERATING TEMPERATURE: -40 °C TO +105 °C
- UL FILE NUMBER E64911

THIS DOCUMENT CONTAINS PROPRIETARY INFORMATION AND SUCH INFORMATION MAY NOT BE DISCLOSED TO OTHERS FOR ANY PURPOSE OR USED FOR MANUFACTURING PURPOSES WITHOUT WRITTEN PERMISSION FROM AMPHENOL CANADA CORP.

UNLESS SPECIFIED OTHERWISE	DRAWN	S.CAELERS	NOV16/11
PRIMARY UNITS MILLIMETERS	CHECKED		
SECONDARY UNITS INCHES	M.E. APP'D		
REFERENCE IN PARENTHESSES	Q.A. APP'D		
GENERAL TOLERANCES	DWG APPR.	A.GREEN	NOV18/11
1 DECIMAL PLACE	ENG. REL. NO.		
2 DECIMAL PLACES	REF.		
3 DECIMAL PLACES	THIRD ANGLE PROJECTION		
ANGULAR DEGREES	DO NOT SCALE DRAWING		

Amphenol Canada Corp.
www.amphenolcanada.com

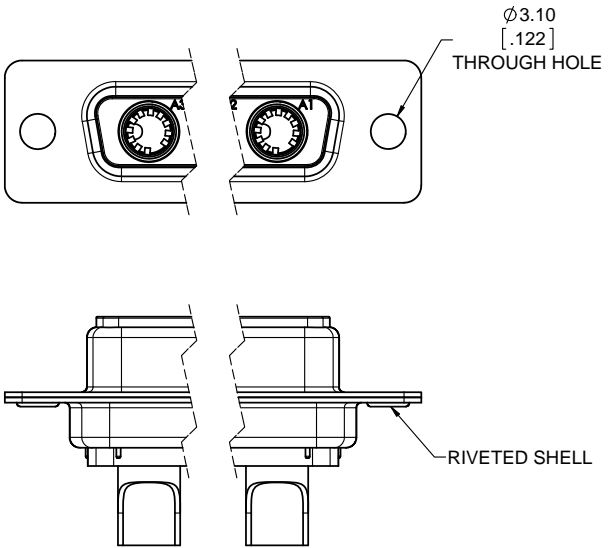
LCC17 COOLPOWER D-SUB CONNECTOR, 3W3 ARRANGEMENT, SOLDER CUP TERMINATION (8 AWG), RoHS COMPLIANT

DWG. NO. **P-LCC17-A3W3XM-XN0** REV **B**

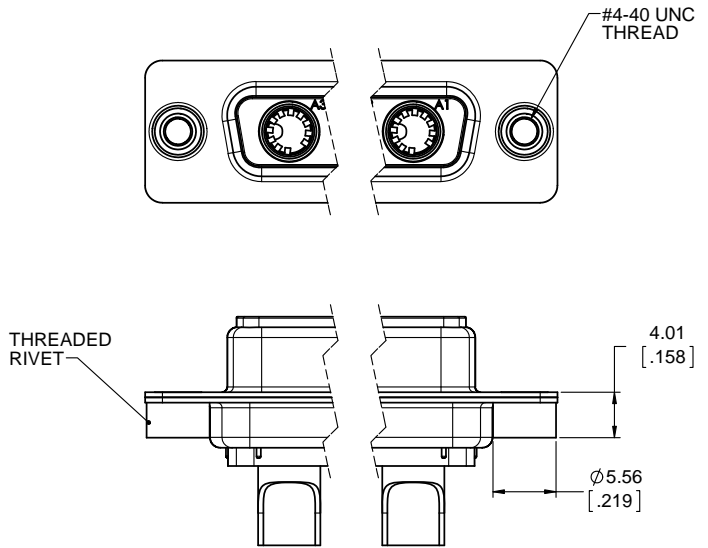
CODE ID NO. 03554 DWG SIZE: X SCALE: 3:1 SHEET 1 OF 2

REVISIONS			
REV	DESCRIPTION, ECN, EAR NO.	DATE	APP'D
A	PROPOSAL DRAWING	NOV18/11	A.G
B	ADD UL FILE NO	JUL22/13	S.M.

MOUNTING CODE 2



MOUNTING CODE 4



MOUNTING OPTIONS AVAILABLE FOR PIN OR SOCKET CONNECTOR



UNLESS SPECIFIED OTHERWISE	DRAWN	S.CAELERS	NOV16/11
PRIMARY UNITS MILLIMETERS	CHECKED		
SECONDARY INCHES	M.E. APP'D		
REFERENCE IN PARENTHESES	Q.A. APP'D		
GENERAL TOLERANCES	DWG APPR.	A.GREEN	NOV18/11
1 DECIMAL PLACE	ENG. REL. NO.		
2 DECIMAL PLACES	REF.		
3 DECIMAL PLACES	THIRD ANGLE PROJECTION		
ANGULAR DEGREES	DO NOT SCALE DRAWING		

Amphenol Canada Corp.
www.amphenolcanada.com
LCC17 COOLPOWER D-SUB CONNECTOR, 3W3 ARRANGEMENT, SOLDER CUP TERMINATION (8 AWG), RoHS COMPLIANT

DWG. NO. **P-LCC17-A3W3XM-XN0** REV **B**

CODE ID NO. 03554 DWG SIZE: X SCALE: 3:1 SHEET 2 OF 2